

REVISIONS

P	LTR	DESCRIPTION	DATE	DWN	APVD
	A	ECN-24-270048	14 JUN2024	KS	RB

EC No.

Battery Disconnecter 2x500A

Page 1 of 1

In OFF Position

Circuit

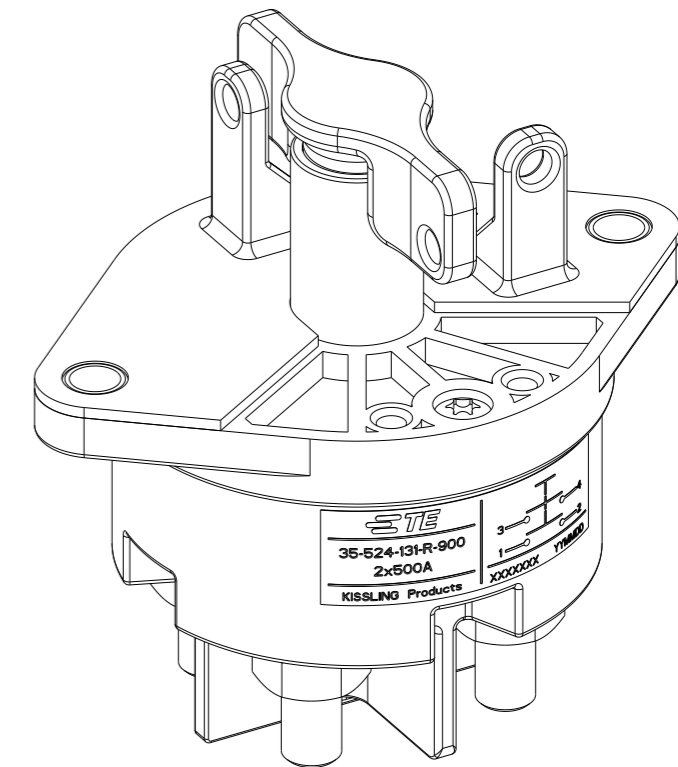
Technical Data:

Case Material: Cover:.....Vyncolit black
 Base Plate:.....PA GF50 black
 Switch Lever Material:.....PA red
 Min. Insulation Resistance:.....100MΩ
 Dielectric Withstanding Voltage:.....1050V-1min
 Max. Contact Voltage Drop:.....150mV
 Voltage:.....up to 32VDC
 Continuous Rating:.....2x500A
 Overload:.....2x2000A-1.5min
,.....2x2500A-10sec
 Sealing:.....IP 67/IEC 529
 Vibration:.....10G 18-500Hz
 Weight:.....~700g/1.6Pound
 Temperature Range:.....-40°C to +85°C
 Wire Section(at nominal load):.....min.250mm²
 Key:.....not removeable, red
 Max. Torque (Main Contacts):.....15-20Nm
 Integrated Safety Feature:.....NO-MAKE contact
,.....operating key is pushed

	Date	Name	mm	Scale		Drawing No:
Drawn	30.11.2006	Mielk	↔	1:2		35-524-131-R-900
Check	30.11.2006	Grind	General Tolerances		Elektrotechnik - GmbH & Co KG D - 72218 Wildberg	NSN:

NOTES
Bemerkungen

- 1 TE-CONNECTIVITY ORDER-NUMBER
TE-Connectivity Bestellnummer
- 2 DO NOT SWITCH UNDER LOAD!
Nicht unter Last schalten!



K1129101	1	A	BATTERY DISCONNECTOR 2x500A Batterietrennschalter 2x500A	1
TE ORDER-NO.	REV.		DESCRIPTION	ITEM NO



NAME BATTERY DISCONNECTOR 2x500A Batterietrennschalter 2x500A			
SIZE	CAGE CODE	DRAWING NO	RESTRICTED TO
A3	00779	35-524-131-R-900	-
CUSTOMER DRAWING		SCALE	SHEET 1 OF 1 REV A

THIS DRAWING IS A CONTROLLED DOCUMENT.		DWN N.Mielke 30NOV2006
DIMENSIONS:		CHK N.Mielke 30NOV2006
mm	TOLERANCES UNLESS OTHERWISE SPECIFIED: DIN ISO 2768 cL	APVD U.Grindemann 30NOV2006
	0 PLC ±	PRODUCT SPEC
	1 PLC ±	APPLICATION SPEC
	2 PLC ±	
	3 PLC ±	
	4 PLC ±	
	ANGLES ±	
MATERIAL	FINISH	WEIGHT