

EC No.	Battery Disconnecter 2x500A	Page 1 of 1
--------	-----------------------------	-------------

Circuit

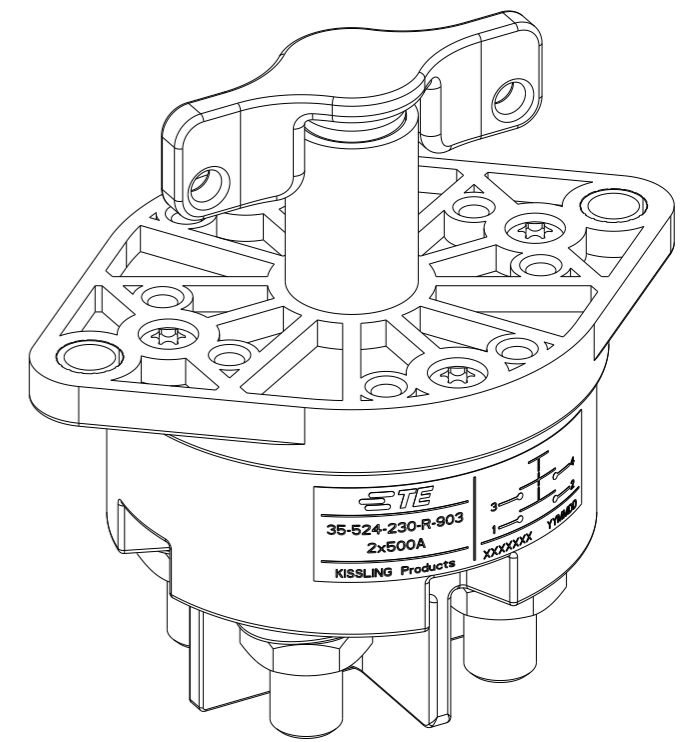
Technical Data:

Case Material: Cover:.....Vyncolit black
 Base Plate:.....PA GF black
 Switch Lever Material:.....PA GF red
 Min. Insulation Resistance:.....100MΩ
 Dielectric Withstanding Voltage:.....1050V-1min
 Max. Contact Voltage Drop:.....150mV
 Voltage:.....up to 32VDC
 Continuous Rating:.....2x500A
 Overload:.....2x2000A-1.5min
,.....2x2500A-10sec
 Sealing:.....IP 67/IEC 529
 Vibration:.....10G 18-500Hz
 Weight:.....1100g/2.5Pound
 Temperature Range:.....-40°C to +85°C
 Wire Section (at nominal load):.....min.250mm²
 Key:.....removeable, red
 Max. Torque (Main Contacts):.....18-22Nm

Date	Name	mm	Scale	Drawing No:
02.06.2015	Mielk	←	1:2	35-524-230-R-903
General Tolerances				
Check	29.04.2016	Grind	Liebherr-Identi-Nr.: 11836072	

REVISIONS					
P	LTR	DESCRIPTION	DATE	DWN	APVD
	A	ECN-24-270048	TE STANDARD	14 JUN2024	KS RB

- NOTES**
Bemerkungen
- 1 TE-CONNECTIVITY ORDER-NUMBER
TE-Connectivity Bestellnummer
 - 2 DO NOT SWITCH UNDER LOAD!
Nicht unter Last schalten!



K1155666	1	A	BATTERY DISCONNECTOR 2x500A Batterietrennschalter 2x500A	1
TE ORDER-NO.	REV.		DESCRIPTION	ITEM NO



THIS DRAWING IS A CONTROLLED DOCUMENT.		DWN	N.Mielke	02JUN2015
		CHK	N.Mielke	02JUN2015
		APVD	U.Grindemann	29APR2016
		PRODUCT SPEC		
		APPLICATION SPEC		
		WEIGHT		
CUSTOMER DRAWING				

DIMENSIONS:	TOLERANCES UNLESS OTHERWISE SPECIFIED:
mm	DIN ISO 2768 cL
	0 PLC ±
	1 PLC ±
	2 PLC ±
	3 PLC ±
	4 PLC ±
	ANGLES ±
MATERIAL	FINISH

BATTERY DISCONNECTOR 2x500A Batterietrennschalter 2x500A			
SIZE	CAGE CODE	DRAWING NO	RESTRICTED TO
A3	00779	35-524-230-R-903	-
SCALE		SHEET 1 OF 1	REV A