

REVISIONS

P	LTR	DESCRIPTION	DATE	DWN	APVD
	A	TE STANDARD UPDATED	16MAY2024	KS	RB

### Battery Disconnecter 2x500A

Page 1 of 1

**Dimensions:**  
 Top view: 100 ± 0.5 mm (width), 85 mm (height), 37 mm (center-to-center), 8.5 mm (radius), 8.9 mm (hole offset).  
 Side view: ~40 (OFF) mm (height), ~115 ± 1 (OFF) mm (total length), 25 mm (base offset), M12 (thread).  
 Front view: 35 mm (width), 8.9 mm (height).

**Technical Data**

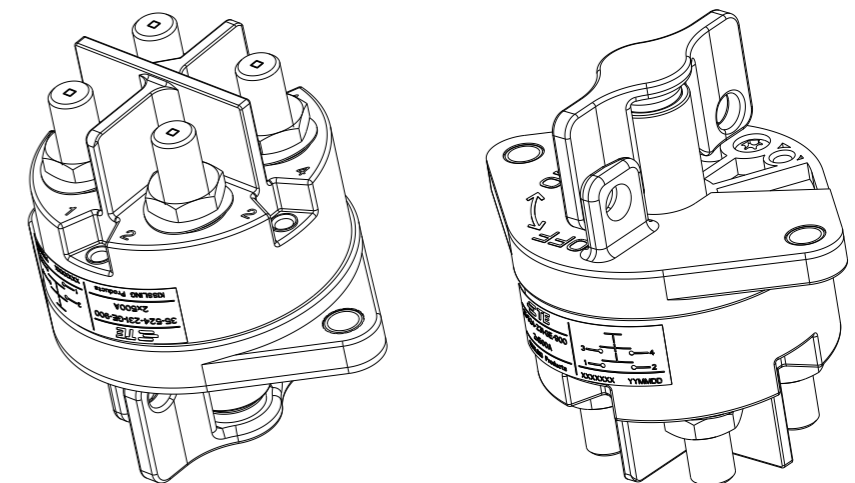
Case Material: Cover.....Vyncolit black  
 Base Plate.....PA GF black  
 Switch Lever Material.....PA GF yellow  
 Min. Insulation Resistance.....100 MΩm  
 Dielectric Withstanding Voltage.....1050V-1min.  
 Max. Contact Drop during Resistive Load.....150mV  
 Voltage.....to 32 VDC  
 Duty Rating.....2x500A  
 Overload.....2x2000A-1.5min.  
 ....., 2x2500A-10sec.  
 Sealing.....IP 67 / IEC 529  
 Vibration.....10G, 18-500Hz  
 Shock G-Level.....50G, 11ms  
 Duty Shock-6000Zyklen.....40G, 6ms  
 Weight.....ca. 650g  
 Temperature Range.....-40°C to +85°C  
 Wire Section (At Nominal Load).....min. 250mm²  
 Mounting position.....optional  
 Switch Lever.....not removeable  
 .....lockable in "OFF" position  
 .....not lockable in "ON" position  
 Max. Torque (Main Contacts).....18-22 Nm

Date	Name	mm	Scale
Create 27.08.2009	Grind	↔	1:2
Edited 15.10.2009	Grind		
Check 08.02.2019	Grind		

Drawing No: 35-524-231-GE-900  
 NSN:

For this drawing we reserve the copyright in accordance with DIN ISO 16016

NOTE:  
 Bemerkungen:  
 1 TE-CONNECTIVITY ORDER-NUMBER  
 TE-Connectivity Bestellnummer  
 2 DO NOT SWITCH UNDER LOAD!  
 Nicht unter Last schalten!



K1137610		A	BATTERY DISCONNECTOR 2x500A Batterietrennschalter 2x500A	1
TE ORDER-NO.	REV.		DESCRIPTION	ITEM NO

THIS DRAWING IS A CONTROLLED DOCUMENT.

DIMENSIONS:		TOLERANCES UNLESS OTHERWISE SPECIFIED:	
mm		DIN ISO 2768-CL	
	0 PLC	±	
	1 PLC	±	
	2 PLC	±	
	3 PLC	±	
	4 PLC	±	
MATERIAL		FINISH	

DWN 27AUG2009 U.Grindemann  
 CHK 15OCT2009 U.Grindemann  
 APVD 08FEB2019 U.Grindemann  
 PRODUCT SPEC  
 APPLICATION SPEC  
 WEIGHT  
 CUSTOMER DRAWING

**TE** TE Connectivity

NAME  
**BATTERY DISCONNECTOR 2x500A**  
 Batterietrennschalter 2x500A

SIZE	CAGE CODE	DRAWING NO	RESTRICTED TO
A3	00779	35-524-231-GE-900	-

SCALE: SHEET 1 OF 1 REV A