

EC No. 22497 Battery Disconnecter 2x500A Aux.2A Page 1 of 1

Deutsch Connector:
 Connector Plug Deutsch P/N DT06-4S-E008
 Terminal Socket Deutsch P/N 04622016141
 Lock Second Deutsch W 4S
 Heat shrink 3:1 D124

ON Position not Lockable

Technical Data:
 Case Material Cover..... Vyncolit black
 Base Plate..... PA GF black
 Switch Lever Material..... PA GF red
 Min. Insulation Resistance..... 100MΩ
 Dielectric Withstanding Voltage..... 1050V-1min.
 Max. Contact Drop During Resistive Load..... 150mV
 Duty Rating..... 2x500A
 Nominal switching load..... 2x500A @ 32VDC
 Overload..... 2x30A @ 84VDC
 Auxiliary Contact:
 Continuous Current..... 2A @ 32VDC
 Make and Brake..... 2A @ 32VDC
, 100 cycles 2A @ 84VDC
 Sealing..... IP 67/ IEC 529
 Vibration..... 10G/ 10-500Hz
 Shock..... 6G/ 11ms
 Weight..... 750g/1.65 Pound
 Temperature Range..... -40°C to +85°C
 Wire Section (at nominal Load Main Terminals) min. 250mm²
 Switch Lever..... not removeable
 Max. Torque (Main Terminals)..... 18-22Nm

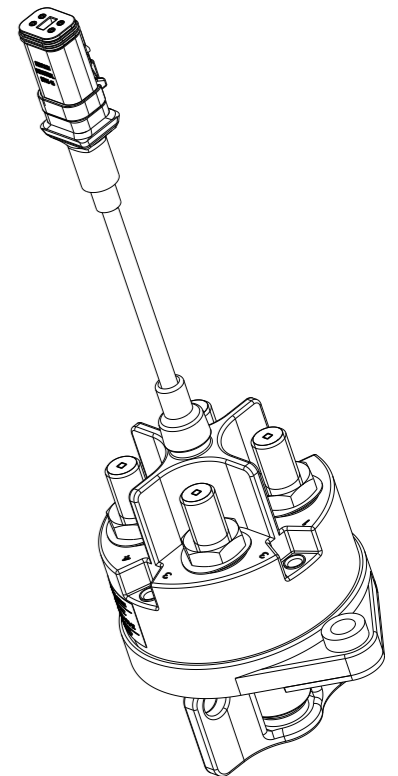
Date	Name	mm	Scale		Drawing No: 35-524-231-R-A2-901
Drawn 08.07.2008	Seeger		1:2		
Check 12.02.2018	Grind		General Tolerances DIN ISO 2768 mK		

REVISIONS					
P	LTR	DESCRIPTION	DATE	DWN	APVD
	A	TE STANDARD	20MAY2024	KS	RB

NOTE
Bemerkungen:

1 TE-CONNECTIVITY ORDER-NUMBER
TE-connectivity Bestellnummer

2 DO NOT SWITCH UNDER LOAD!
Nicht unter Last schalten!



K1133483	1	A	BATTERY DISCONNECTOR 2X500A AUX 2A Batterietrennschalter 2X500A Hiko 2A	1
TE ORDER-NO.	REV.		DESCRIPTION	ITEM NO

THIS DRAWING IS A CONTROLLED DOCUMENT.		DWN K.Seeger 08JUL2008	TE Connectivity																
DIMENSIONS: mm		CHK K.Seeger 08JUL2008																	
TOLERANCES UNLESS OTHERWISE SPECIFIED: DIN ISO 2768 cL		APVD U.Grindemann 12FEB2018	NAME BATTERY DISCONNECTOR 2X500A AUX 2A Batterietrennschalter 2X500A Hiko 2A																
<table border="1"> <tr> <td>0 PLC</td> <td>±</td> </tr> <tr> <td>1 PLC</td> <td>±</td> </tr> <tr> <td>2 PLC</td> <td>±</td> </tr> <tr> <td>3 PLC</td> <td>±</td> </tr> <tr> <td>4 PLC</td> <td>±</td> </tr> <tr> <td>ANGLES</td> <td>±</td> </tr> <tr> <td>FINISH</td> <td></td> </tr> </table>		0 PLC	±	1 PLC	±	2 PLC	±	3 PLC	±	4 PLC	±	ANGLES	±	FINISH		PRODUCT SPEC	RESTRICTED TO		
0 PLC	±																		
1 PLC	±																		
2 PLC	±																		
3 PLC	±																		
4 PLC	±																		
ANGLES	±																		
FINISH																			
MATERIAL		APPLICATION SPEC	SIZE A3	CAGE CODE 00779	DRAWING NO 35-524-231-R-A2-901														
		WEIGHT	SCALE																
		CUSTOMER DRAWING	SHEET 1 OF 1 REV A																