

EC No. 21908 Battery Disconnecter 2x500A Aux.5A Page 1 of 1

Deutsch Connector:
 Connector Plug Deutsch P/N DT06-4S-E008
 Terminal Socket Deutsch P/N 046220116141
 Lock Second Deutsch W 4S
 Heat shrink 3:1 Di24

Circuit

ON Position not Lockable

Technical Data:

Case Material:Cover	Vyncolit black
Base Plate	PA GF black
Key Plate	PA GF red
Switch Lever Material	PA GF red
Min. Insulation Resistance	100MΩ
Dielectric Withstanding Voltage	1050V-1min.
Max. Contact Drop During Resistive Load	150mV
Voltage	up to 32VDC
Duty Rating	2x500A
Overload	2x2000A-1.5min. 2x2500A-10sec.
Auxiliary Contact:	
Continuous Current:	5A
Make and Brake:	5A
Sealing	IP 67/ IEC 529
Vibration	10G/ 18-500Hz
Weight	750g/1.65 Pound
Temperature Range	-40°C to +85°C
Wire Section (at nominal Load Main Terminals)	min. 250mm ²
Switch Lever	not removeable
Max. Torque (Main Terminals)	18-22Nm

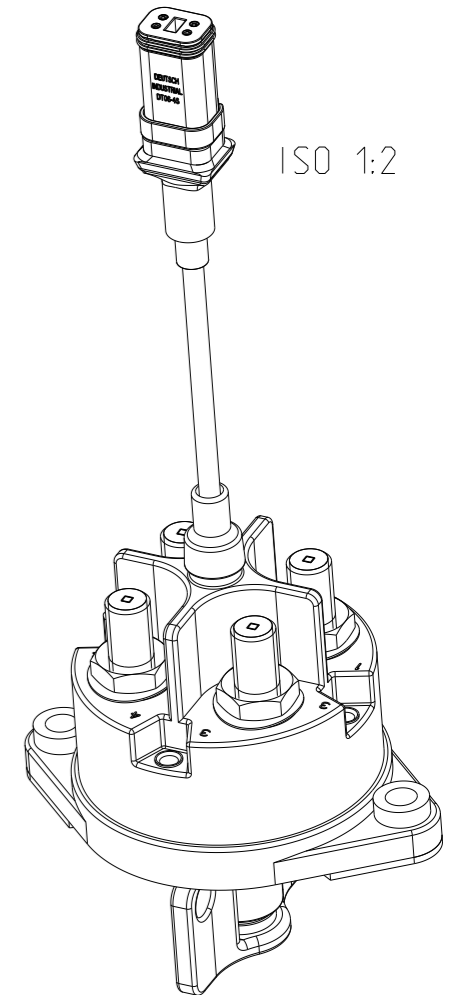
Date	Name	mm	Scale	Drawing No.
Drawn 13.03.2014	Seeger	mm	1:2	35-524-231-R-A5-901
Check 09.04.2014	Grind			NSN:

REVISIONS				
P	LTR	DESCRIPTION	DATE	APVD
	A	TE STANDARD	19JUN2024	KS RB

NOTE
Bemerkungen:

1 TE-CONNECTIVITY ORDER-NUMBER
TE-connectivity Bestellnummer

2 DO NOT SWITCH UNDER LOAD!
Nicht unter Last schalten!



K1150424	1	A	BATTERY DISCONNECTOR 2X500A AUX 5A Batterietrennschalter 2X500A Hiko 5A	1
TE ORDER-NO.	REV.		DESCRIPTION	ITEM NO

THIS DRAWING IS A CONTROLLED DOCUMENT.		DWN K.Seeger 30JUN2011												
DIMENSIONS: mm		CHK K.Seeger 30JUN2011												
TOLERANCES UNLESS OTHERWISE SPECIFIED: DIN ISO 2768 cL		APVD U.Grindemann 11APR2013												
<table border="0"> <tr> <td>0 PLC</td> <td>±</td> </tr> <tr> <td>1 PLC</td> <td>±</td> </tr> <tr> <td>2 PLC</td> <td>±</td> </tr> <tr> <td>3 PLC</td> <td>±</td> </tr> <tr> <td>4 PLC</td> <td>±</td> </tr> <tr> <td>ANGLES</td> <td>±</td> </tr> </table>		0 PLC	±	1 PLC	±	2 PLC	±	3 PLC	±	4 PLC	±	ANGLES	±	PRODUCT SPEC
0 PLC	±													
1 PLC	±													
2 PLC	±													
3 PLC	±													
4 PLC	±													
ANGLES	±													
MATERIAL		FINISH												
WEIGHT		APPLICATION SPEC												
CUSTOMER DRAWING		WEIGHT												

TE TE Connectivity	
NAME BATTERY DISCONNECTOR 2X500A AUX 5A Batterietrennschalter 2X500A Hiko 5A	
SIZE A3	CAGE CODE 00779
DRAWING NO. 35-524-231-R-A5-901	RESTRICTED TO -
SCALE	SHEET 1 OF 1
REV A	