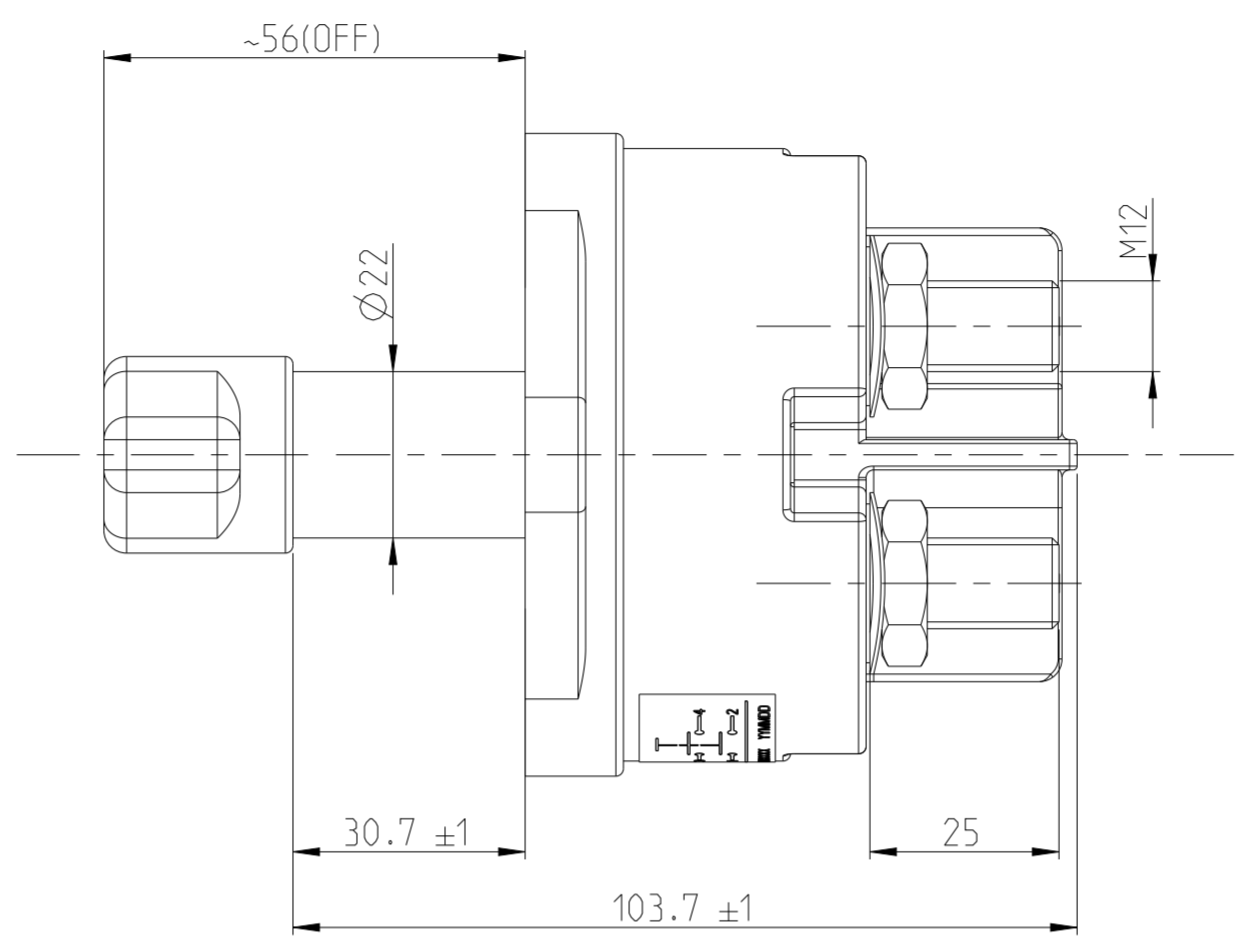
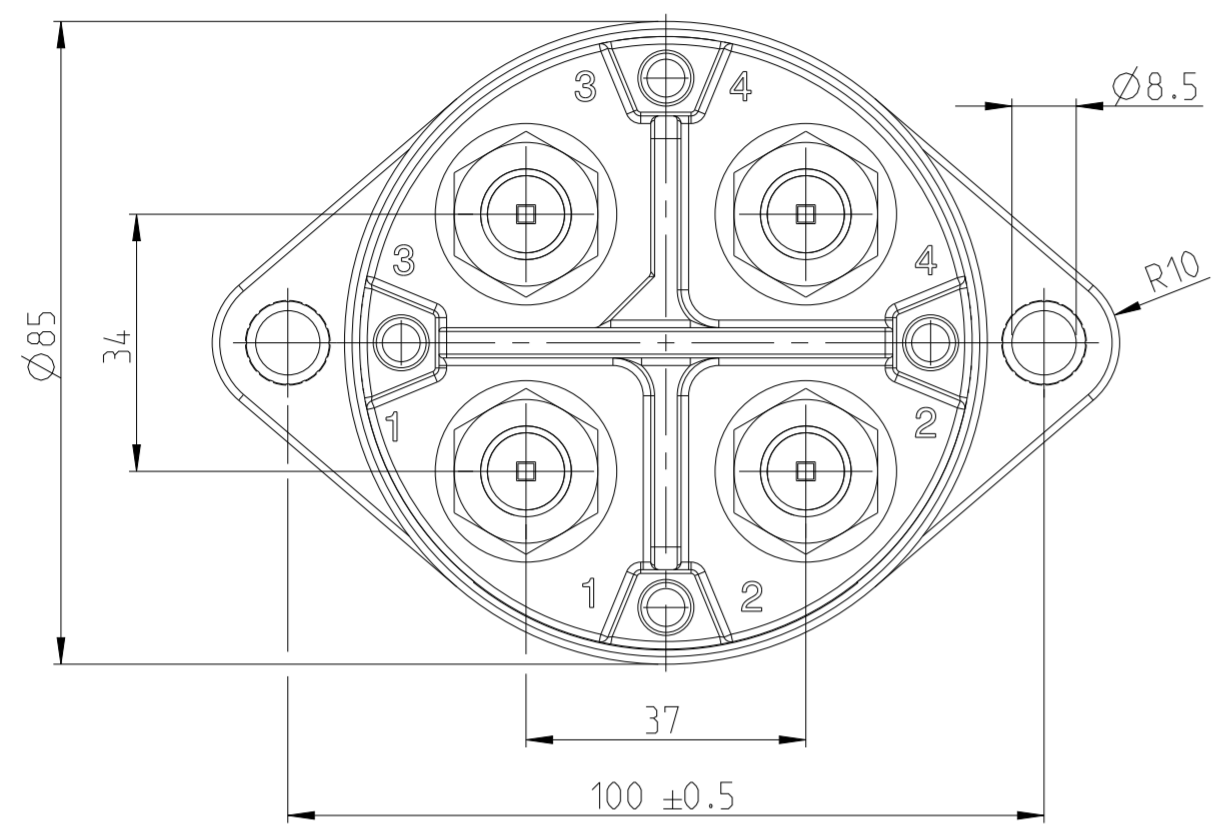


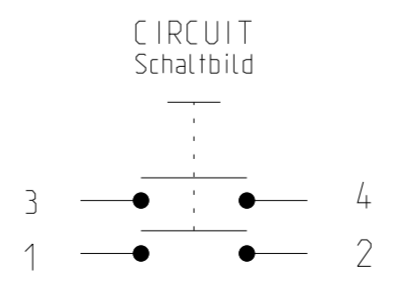
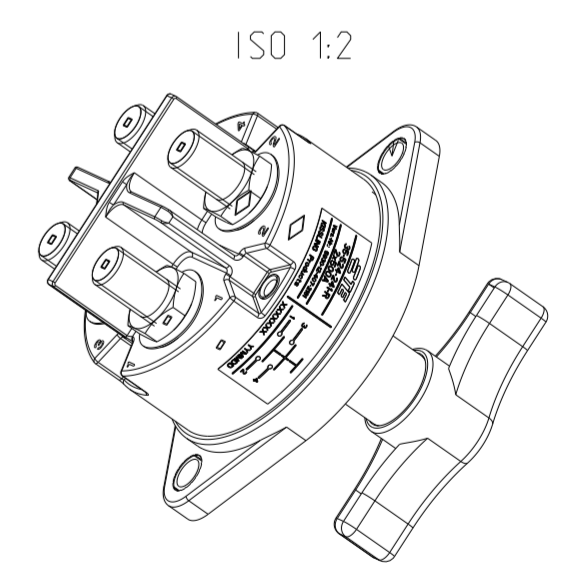
P	LTR	DESCRIPTION	DATE	DWN	APVD
A		ECN-24-247037	11JAN2024	SS	RB



- NOTES
Bemerkungen
- 1 TE-CONNECTIVITY ORDER-NUMBER
TE-Connectivity Bestellnummer
 - 2 DO NOT SWITCH UNDER LOAD!
Nicht unter Last schalten!

Technische Daten:
 Werkstoff:: Haube..... Vyncolit schwarz
 Befestigungssockel..... PA GF schwarz
 Schalthebel..... PA GF rot
 Min. Isolationswiderstand..... 100M0hm
 Hochspannungsfestigkeit..... 1050V-1min.
 Max. Kontaktspannungsabfall bei Nennlast..... 150mV
 Betriebsspannung..... bis 32VDC
 Zuständigkeit..... 2x500A
 Überlast..... 2x2000A-1,5min.
, 2x2500A-10sec.
 Schutzart..... IP 67/ IEC 529
 Vibration..... 10g/ 18-500Hz
 Schock..... 50G/ 11ms
 Dauerschock-6000zyklen..... 40G/6ms
 Umgebungstemperatur..... -40°C bis +85°C
 Anschlussquerschnitt bei Nennlast..... min. 250mm²
 Einbaulage..... beliebig
 Schalthebel..... nicht abziehbar
 Anzugsmoment (Hauptkontakte)..... 18-22Nm

TECHNICAL DATA:
 MATERIAL: COVER..... VYNCOLIT BLACK
 BASE MATERIAL..... PA GF BLACK
 SWITCH LEVER..... PA GF RED
 MIN. INSULATION RESISTANCE..... 100M0hm
 DIELECTRIC WITHSTANDING VOLTAGE..... 1050V-1min.
 MAX. CONTACT DROP DURING RESISTIVE LOAD..... 150mV
 VOLTAGE..... TO 32VDC
 DUTY RATING..... 2x500A
 OVERLOAD..... 2x2000A-1.5MIN.
, 2x2500A-10sec.
 SEALING..... IP 67/ IEC 529
 VIBRATION..... 10G/ 18-500Hz
 SHOCK G-LEVEL..... 50G/ 11ms
 DUTY SHOCK-6000CYCLES..... 40G/6ms
 TEMPERATURE RANGE..... -40°C TO +85°C
 WIRE SECTION (AT NOMINAL LOAD)..... min. 250mm²
 MOUNTING POSITION..... OPTIONAL
 SWITCH LEVER..... NOT REMOVEABLE
 MAX.TORQUE (MAIN CONTACTS)..... 18-22Nm



THIS DRAWING IS A CONTROLLED DOCUMENT.

DIMENSIONS:	TOLERANCES UNLESS OTHERWISE SPECIFIED:	DWN	27 JAN 2009
mm	DIN ISO 2768 ct	CHK	27 JAN 2009
		APVD	07 NOV 2017
		PRODUCT SPEC	
		APPLICATION SPEC	
MATERIAL	FINISH	WEIGHT	
		CUSTOMER DRAWING	

K1123731	A	BATTERY DISCONNECTOR 2x500A Batterietrennschalter 2x500A	680	1
TE ORDER-NO.	REV.	DESCRIPTION	WEIGHT (g)	ITEM NO
		STE TE Connectivity		
		NAME BATTERY DISCONNECTOR 2x500A Batterietrennschalter 2x500A		
SIZE	CAGE CODE	DRAWING NO	RESTRICTED TO	
A2	00779	C-35-524-241-R	-	
SCALE 1:1		SHEET 1 OF 1	REV A	