

**Battery Disconnecter 2x500AMP** Page 1 of 1

For this drawing we reserve the copyright in accordance with DIN ISO 16016

**Technical Data:**

Case Material: Cover	Vyncolit black
Base Plate	PA GF black
Switch Lever Material	PA GF black
Min. Insulation Resistance	100MΩhm
Dielectric Withstanding Voltage	1050V-1min.
Max. Contact Drop during Resistive Load	150mV
Voltage	up to 32VDC
Duty Rating	2x 500A
Overload	2x2000A-1.5min.
	2x2500A-10sec.
<b>Auxiliary Contact:</b>	
Continuous Current	5A
Make and Brake	5A
<b>Sealing</b>	
	IP 67/ IEC 529
Vibration	10G/ 18-500Hz
Weight	~750g / 165 Pound
Temperature Range	-40°C to +85°C
Wire Section (At Nominal Load)	min. 250mm²
Switch Lever	removeable
Max. Torque (Main Terminals)	15-20Nm

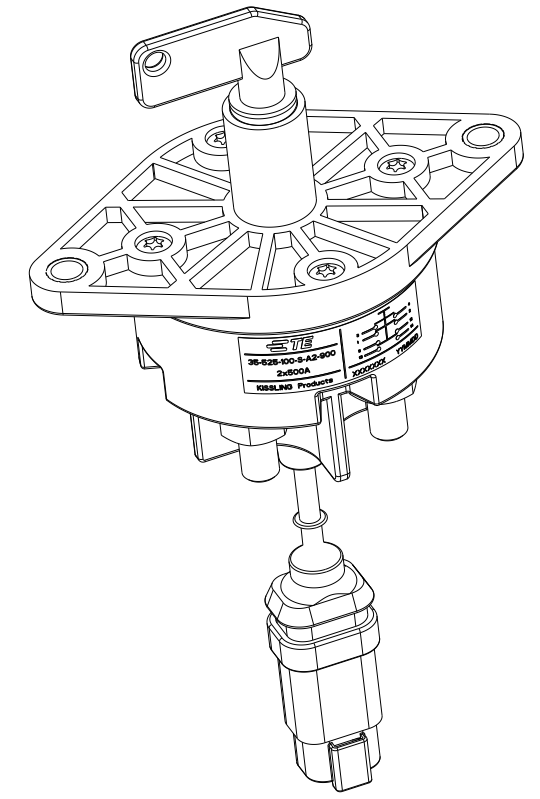
	Date	Name		Scale		Drawing No:
Create	30.03.2020	Seeger	mm	1:2		35-525-100-S-A2-900
Edited	02.07.2020	Seeger	General Tolerances			NSN:
Check	02.07.2020	Grind				

REVISIONS					
P	LTR	DESCRIPTION	DATE	DWN	APVD
	A	TE STANDARD UPDATED	30MAY2024	KS	RB

NOTE  
Bemerkungen:

1 TE-CONNECTIVITY ORDER-NUMBER  
TE-Connectivity Bestellnummer

2 DO NOT SWITCH UNDER LOAD!  
Nicht unter Last schalten!



THIS DRAWING IS A CONTROLLED DOCUMENT.

DIMENSIONS: mm	TOLERANCES UNLESS OTHERWISE SPECIFIED: DIN ISO 2768 cL
	0 PLC ±
	1 PLC ±
	2 PLC ±
	3 PLC ±
	4 PLC ±
	ANGLES ±
MATERIAL	FINISH

DWN	K.Seeger	30MAR2020
CHK	K.Seeger	02JUL2020
APVD	U.Grindemann	02JUL2020
PRODUCT SPEC		
APPLICATION SPEC		
WEIGHT		
CUSTOMER DRAWING		

K1166762	A	BATTERY DISCONNECTOR 2x500A Batterietrennschalter 2x500A	1
TE ORDER-NO.	REV.	DESCRIPTION	ITEM NO



NAME <b>BATTERY DISCONNECTOR 2x500A</b> Batterietrennschalter 2x500A			
SIZE	CAGE CODE	DRAWING NO	RESTRICTED TO
A3	00779	35-525-100-S-A2-900	-
SCALE		SHEET	REV
		1 OF 1	A