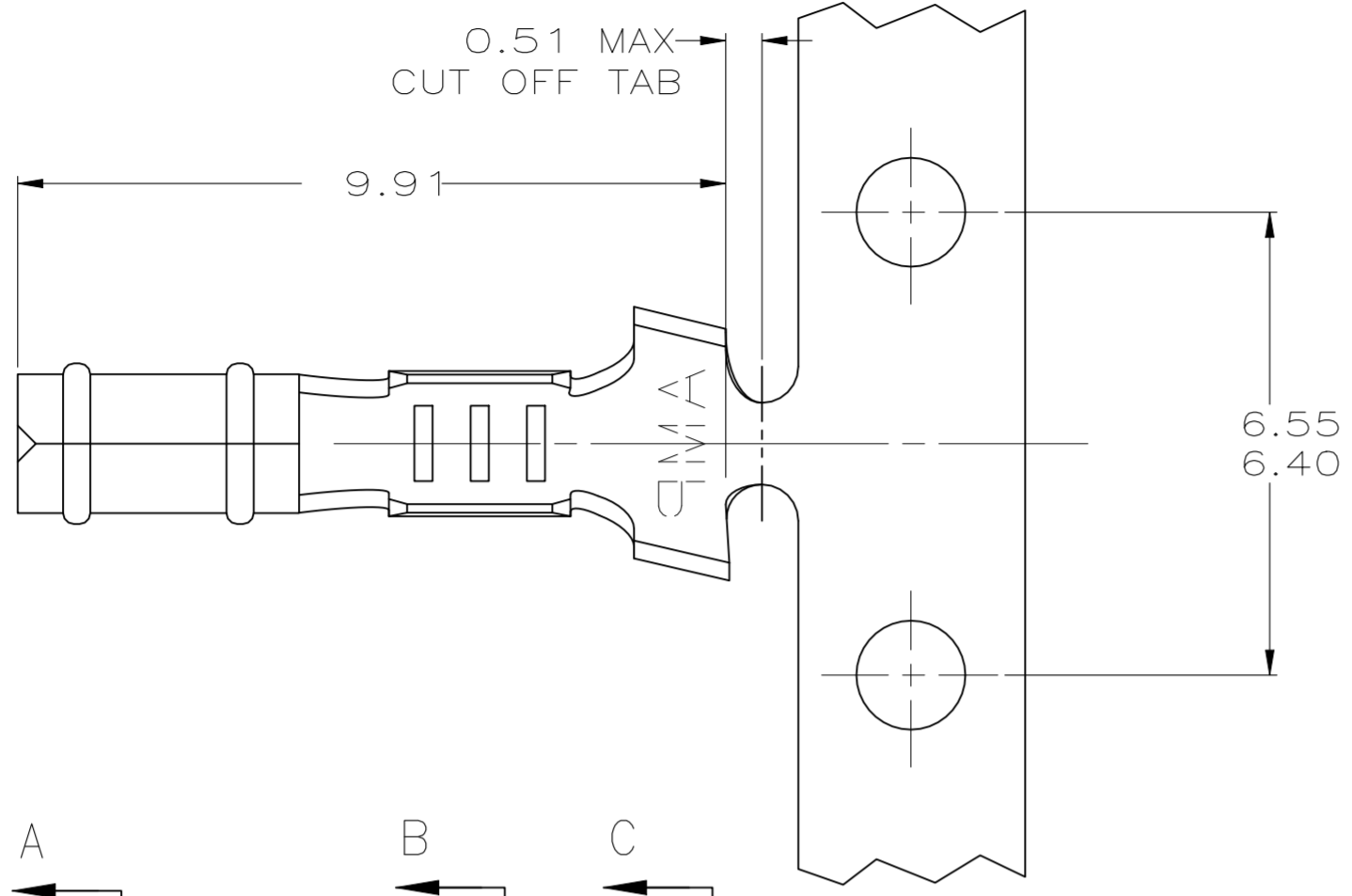
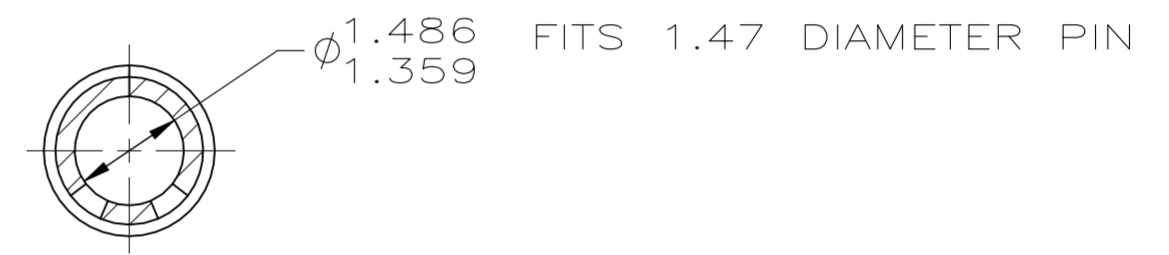


THIS DRAWING IS UNPUBLISHED. RELEASED FOR PUBLICATION .19  
 (C) COPYRIGHT 19 BY AMP INCORPORATED. ALL RIGHTS RESERVED.

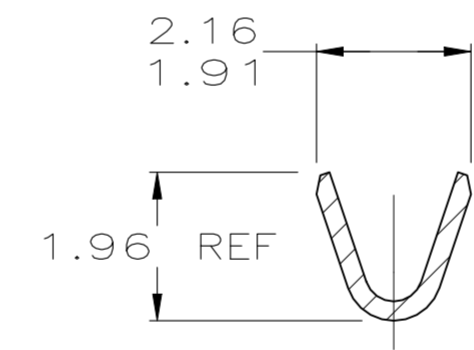
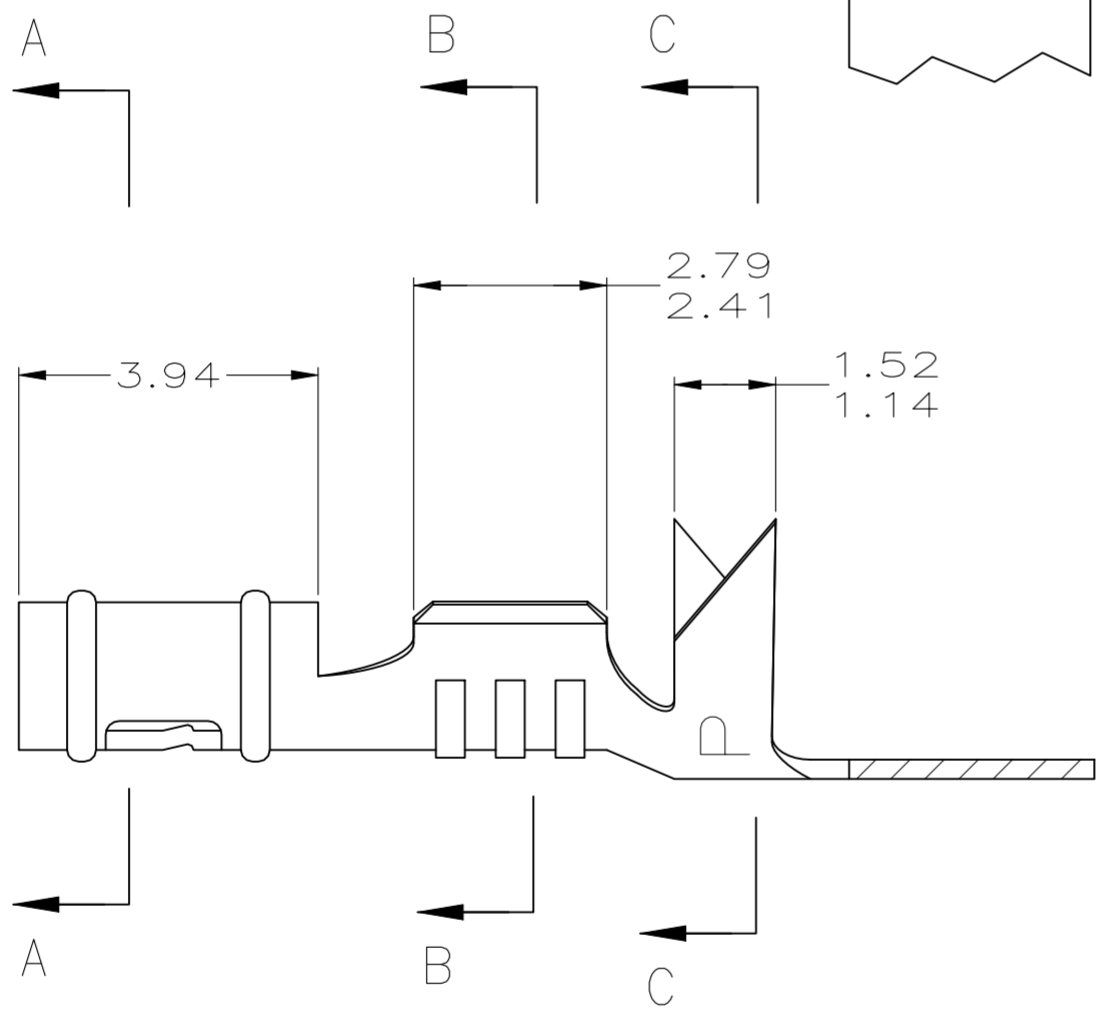
Loc	DIST	REVISIONS					
CM	52	P	LTR	DESCRIPTION	DATE	DWN	APVD
			K	REVISED PER ECR-23-180920	18-04-24	SK	JP



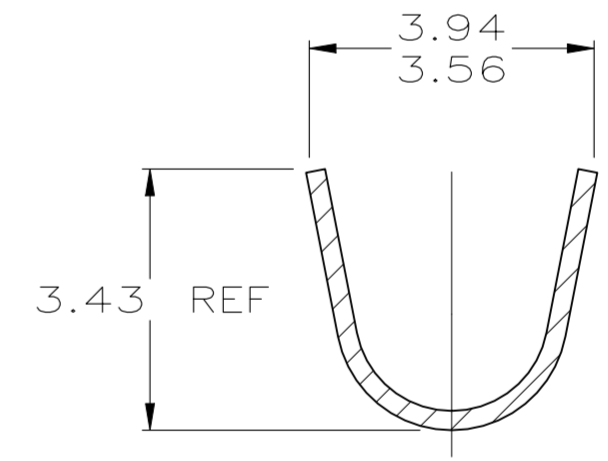
- △ NOTE DELETED
- 2. WIRE RANGE: 0.12 - 0.6 MM<sup>2</sup> (26 - 20 AWG)
- 3. INSULATION RANGE: 1.02 - 2.79



SECTION A-A



SECTION B-B



SECTION C-C

PRE-IN	350196-1
FINISH	PART NUMBER

1.14	.045	1.96	.077	3.94	.155	-	-
1.02	.040	1.91	.075	3.56	.140	-	-
0.51	.020	1.52	.060	3.43	.135	-	-
0.25	.010	1.486	.0585	2.79	.110	9.91	.390
0.13	.005	1.47	.058	2.41	.095	6.55	.258
0.00203	.000080	1.359	.0535	2.16	.085	6.40	.252
MM	IN	MM	IN	MM	IN	MM	IN

CONVERSION TABLE

**METRIC**

THIS DRAWING IS A CONTROLLED DOCUMENT.		DWN	T. BECK	6-05-97	AMP Incorporated Harrisburg, PA 17105-3608
		CHK	R. SWING	6-05-97	
		APVD	A. BEDDICK	6-17-97	
		NAME		RECEPTACLE, .058 DIAMETER, 26-20 AWG, .040-.110 INSULATION, P.C. CONTACT	
DIMENSIONS: mm		TOLERANCES UNLESS OTHERWISE SPECIFIED:		PRODUCT SPEC	108-1025
		0 PLC ±- 1 PLC ±- 2 PLC ±0.13 3 PLC ±- 4 PLC ±- ANGLES ±-		APPLICATION SPEC	114-1008
MATERIAL		FINISH		WEIGHT	-
0.25 Ph Bz		△		CUSTOMER DRAWING	SCALE 10:1
			SIZE	A2	CAGE CODE
			DRAWING NO	00779	RESTRICTED TO
			SCALE	10:1	SHEET 1 OF 1
			REV	K	