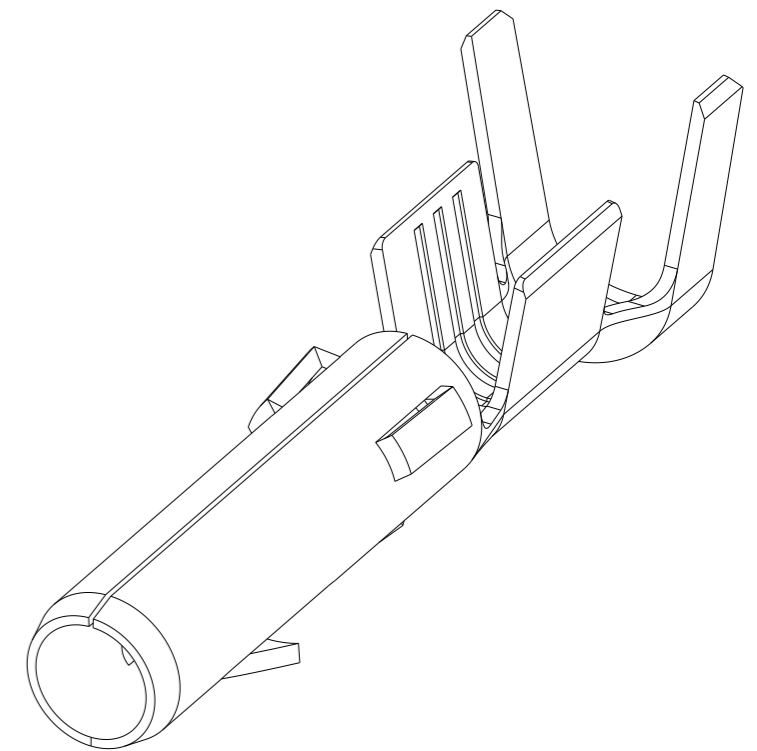
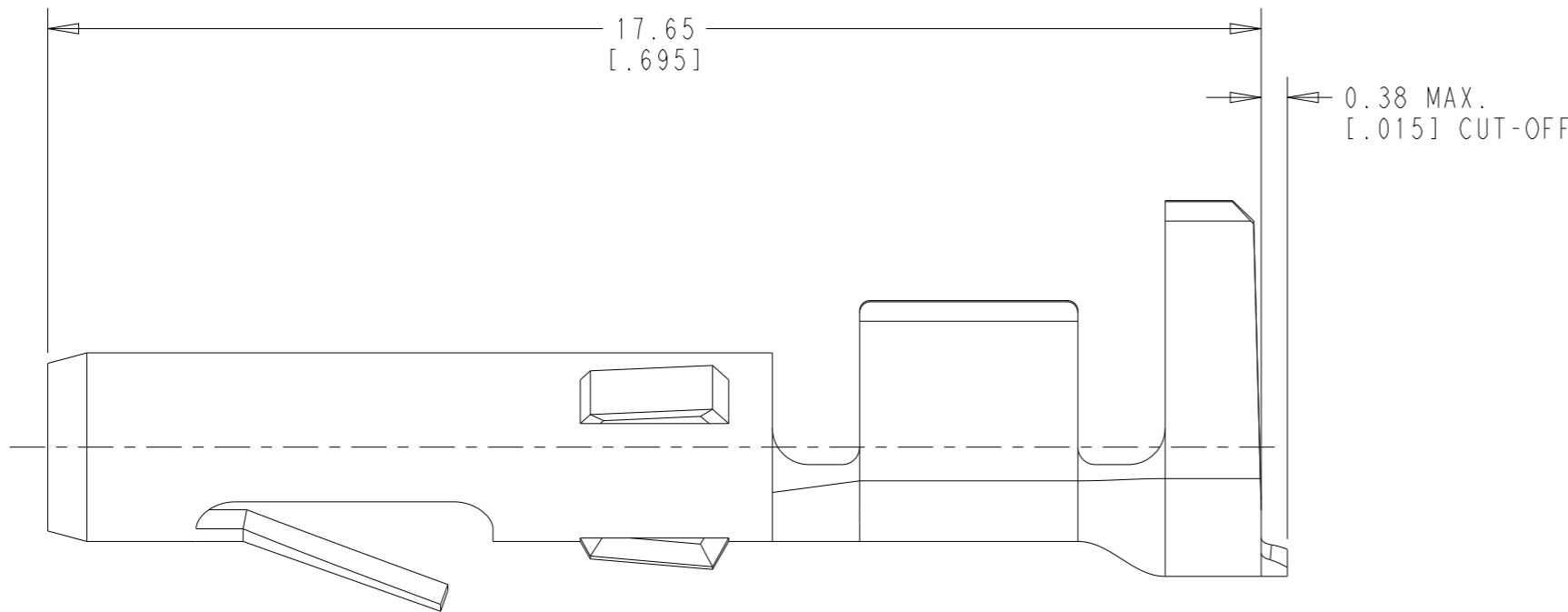


REVISIONS

P	LTR	DESCRIPTION	DATE	DWN	APVD
	D	REACTIVATE -4 PER PR89-B9	AUG1989	KW	RS
	D1	REVISED PER ECN-23-233438	02OCT2023	WLS	VS



SCALE 8:1

NOTES:

- FOR ADDITIONAL INFORMATION SEE DRW.350557.
- THIS TERMINAL TO BE SUPPLIED IN INDIVIDUAL FORM, NOT AS A CONTINUOUS STRIP.
- WIRE RANGE: (2)*18's OR (1)*18 & (1)*16
- INSULATION RANGE: (2) .115 MAX. STACKED.
- DIMENSIONS IN BRACKETS ARE IN INCHES.

PRE-TIN	PH. BRONZE	350638-4
FINISH	MATERIAL	PART NO

THIS DRAWING IS A CONTROLLED DOCUMENT.		DWN S. RAMESH 02OCT2023																								
DIMENSIONS: mm [INCHES]		CHK W. L. STEFANI 02OCT2023																								
TOLERANCES UNLESS OTHERWISE SPECIFIED:		APVD V. SHEETAR 02OCT2023																								
<table border="1"> <tr> <td>0 PLC</td> <td>±-</td> <td></td> </tr> <tr> <td>1 PLC</td> <td>±-</td> <td>±0.38</td> </tr> <tr> <td>2 PLC</td> <td>±-</td> <td>[.015]</td> </tr> <tr> <td>3 PLC</td> <td>±-</td> <td></td> </tr> <tr> <td>4 PLC</td> <td>±-</td> <td></td> </tr> <tr> <td>ANGLES</td> <td>±°</td> <td></td> </tr> </table>		0 PLC			±-		1 PLC	±-	±0.38	2 PLC	±-	[.015]	3 PLC	±-		4 PLC	±-		ANGLES	±°		<table border="1"> <tr> <td>PRODUCT SPEC</td> <td>108-1000</td> </tr> <tr> <td>APPLICATION SPEC</td> <td>114-1012</td> </tr> <tr> <td>WEIGHT</td> <td>-</td> </tr> </table>	PRODUCT SPEC	108-1000	APPLICATION SPEC	114-1012
0 PLC	±-																									
1 PLC	±-	±0.38																								
2 PLC	±-	[.015]																								
3 PLC	±-																									
4 PLC	±-																									
ANGLES	±°																									
PRODUCT SPEC	108-1000																									
APPLICATION SPEC	114-1012																									
WEIGHT	-																									
MATERIAL SEE TABLE	FINISH SEE TABLE	<table border="1"> <tr> <td>NAME</td> <td colspan="2">SOCKET COMMERCIAL MATE-N-LOK</td> </tr> <tr> <td>SIZE</td> <td>CAGE CODE</td> <td>DRAWING NO</td> </tr> <tr> <td>A3</td> <td>00779</td> <td>350638</td> </tr> </table>		NAME	SOCKET COMMERCIAL MATE-N-LOK		SIZE	CAGE CODE	DRAWING NO	A3	00779	350638	RESTRICTED TO -													
NAME	SOCKET COMMERCIAL MATE-N-LOK																									
SIZE	CAGE CODE	DRAWING NO																								
A3	00779	350638																								
CUSTOMER DRAWING		SCALE 10:1	SHEET 1 OF 1	REV D1																						