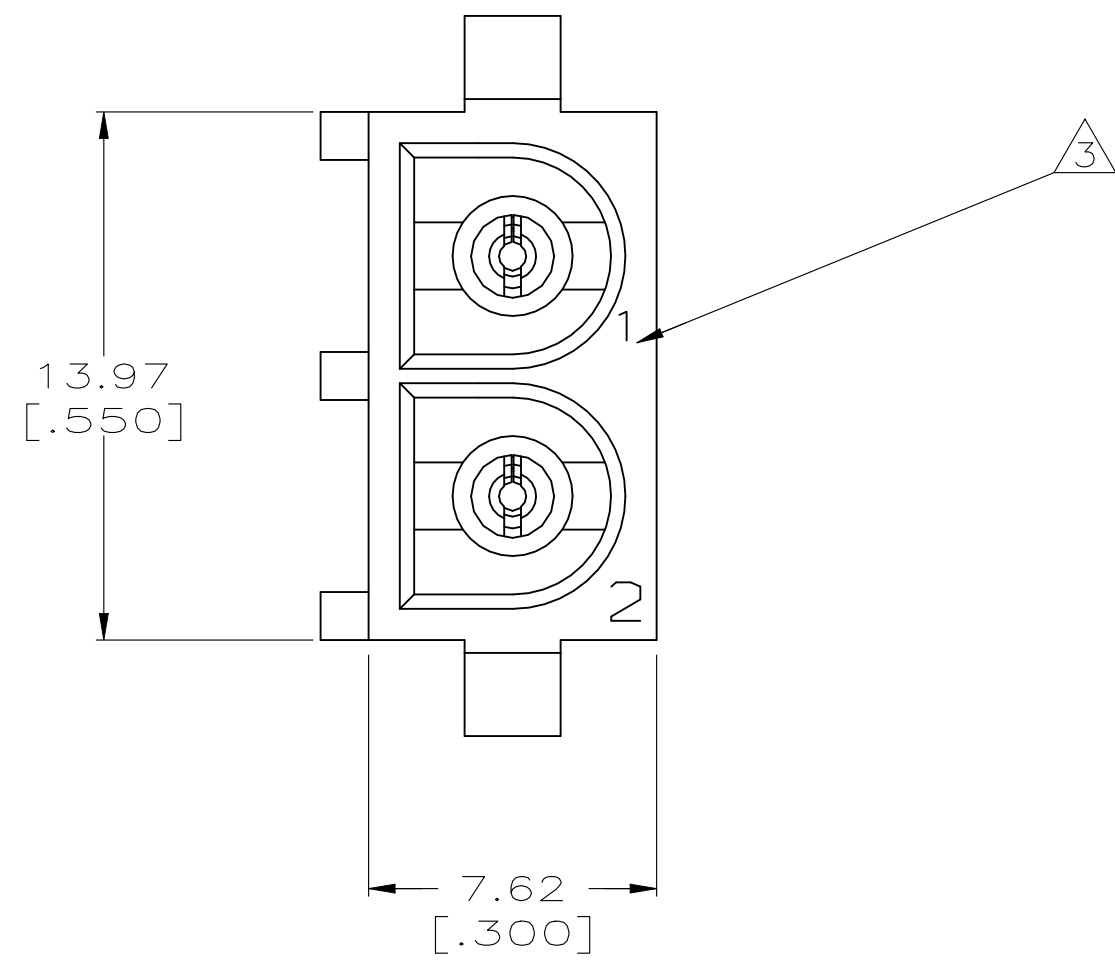
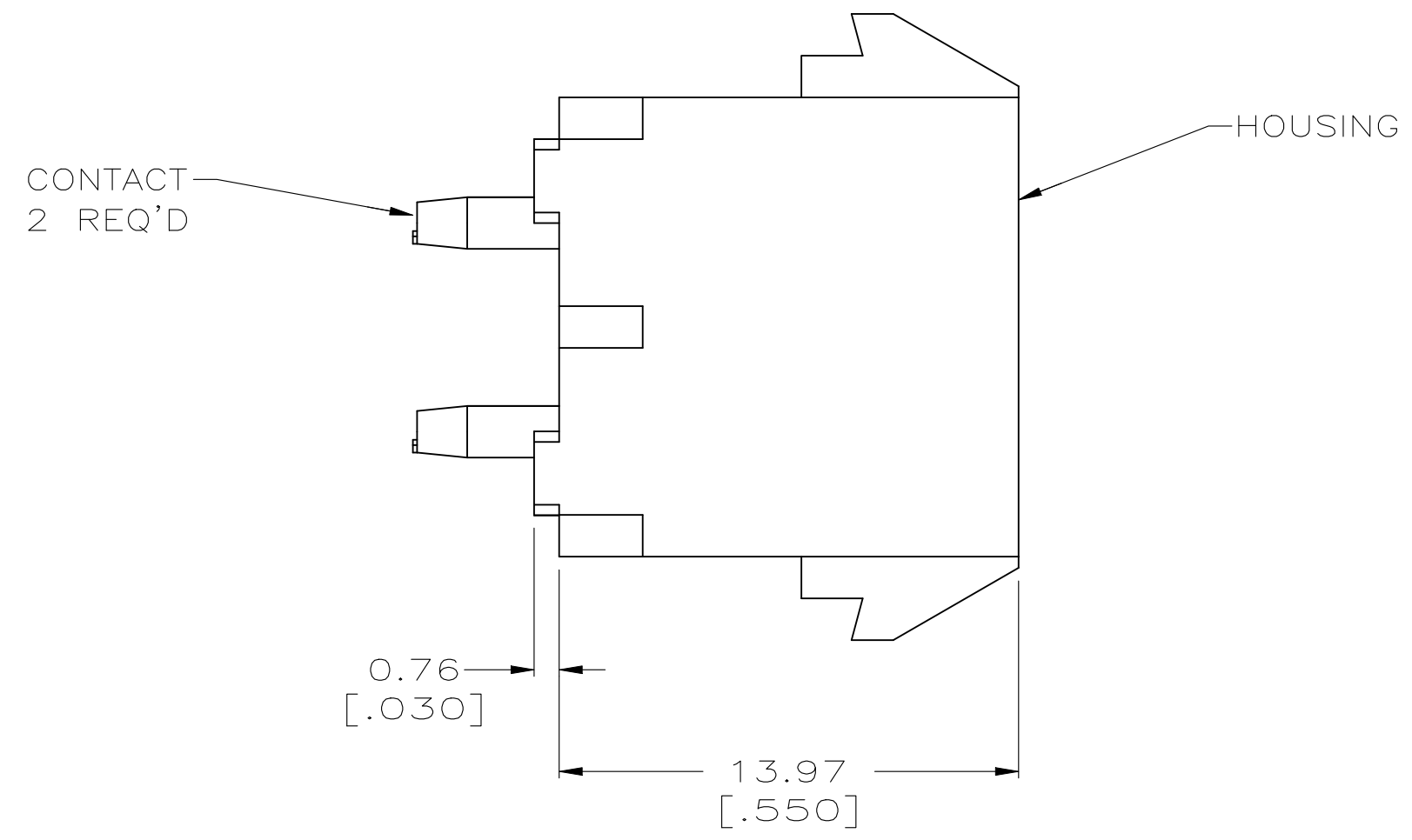
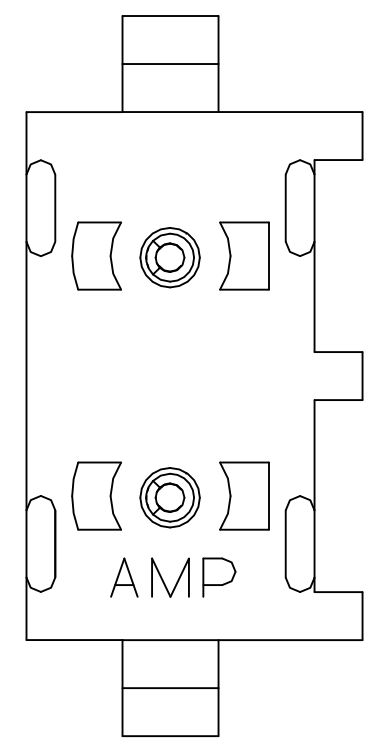
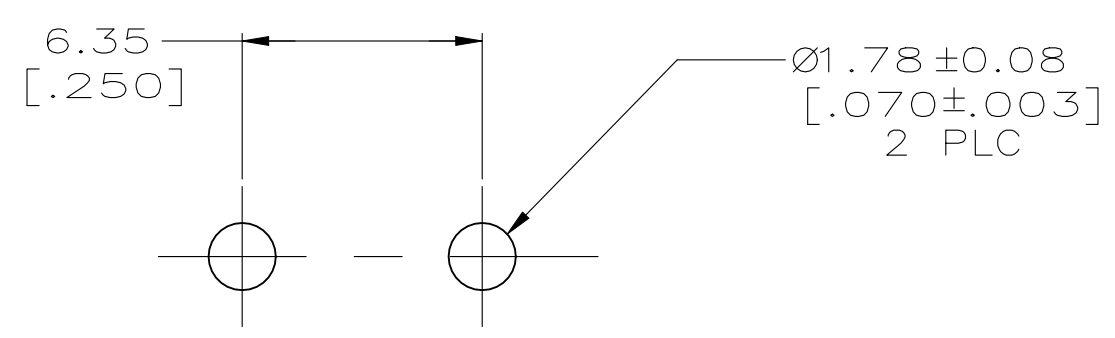
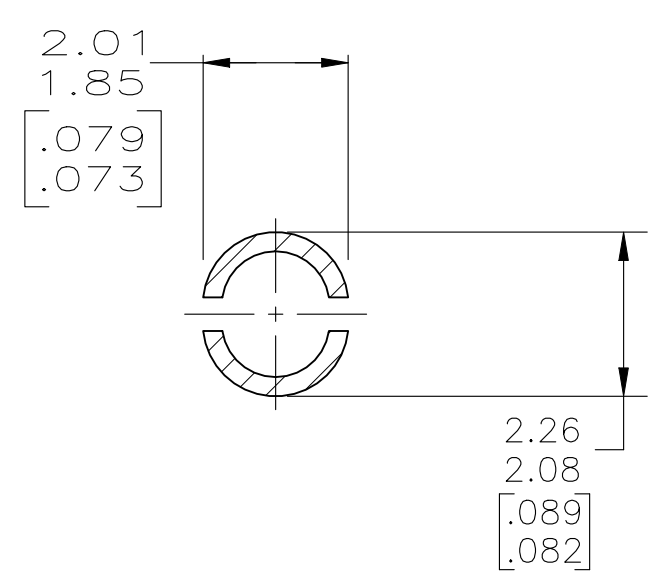
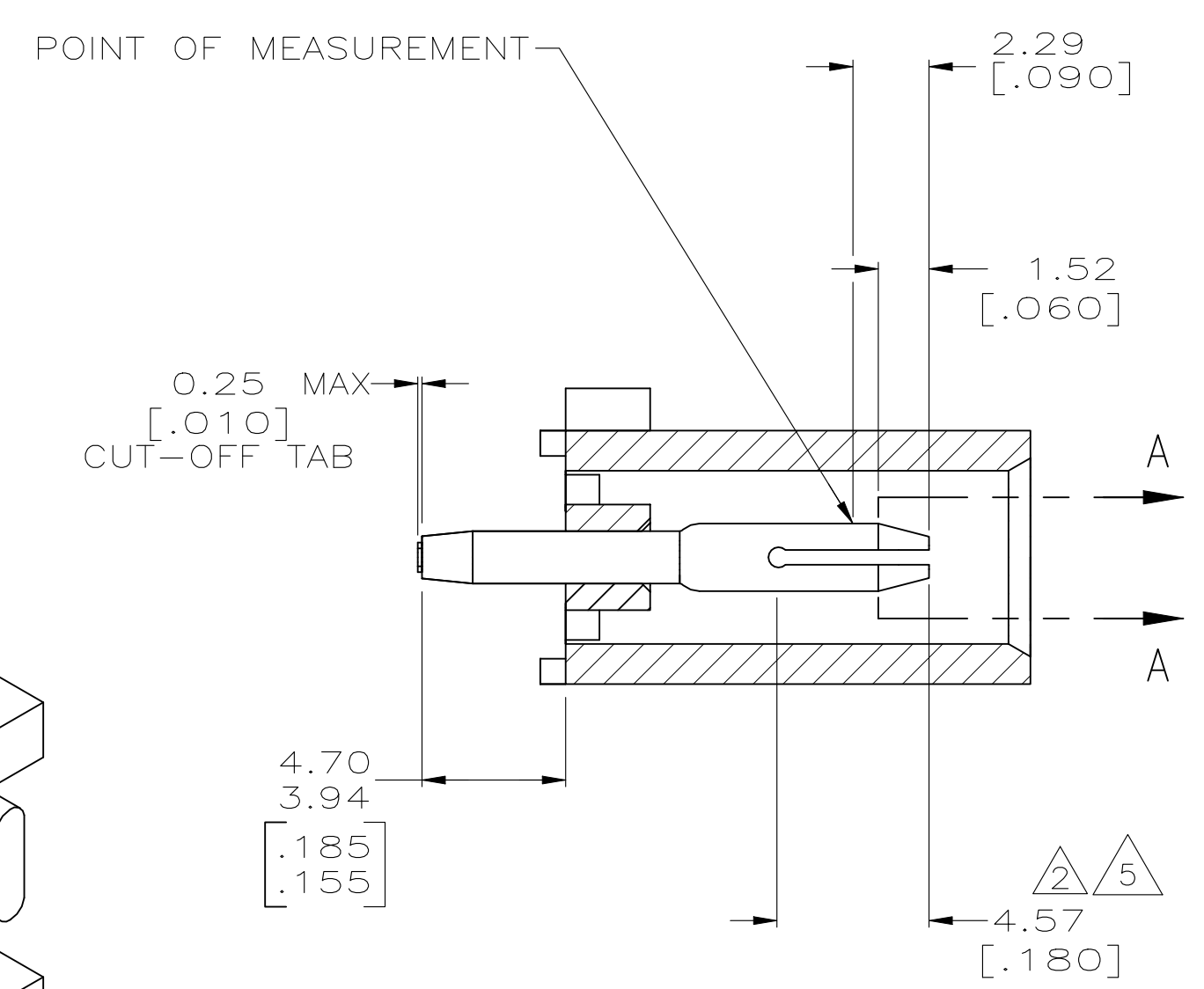
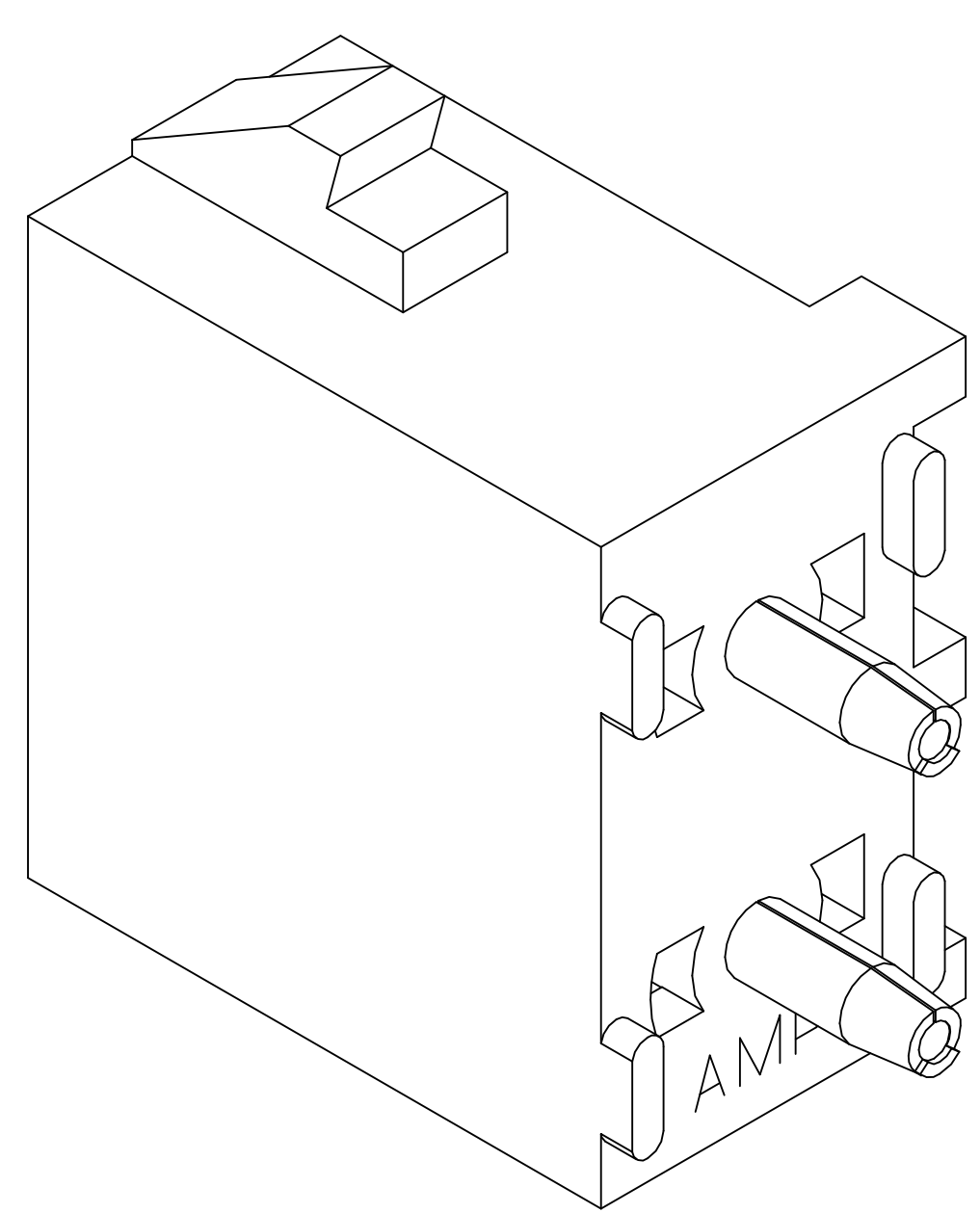


REVISIONS					
REV	DATE	DESCRIPTION	BY	CHK	APP'D
R4	28JUL2022	REVISED PER ECR-21-118795	SK	VS	



- 1 PARTS COMPLY TO AMP SOLDERABILITY SPECIFICATION 109-11-3.
- 2 CONTACT IS PLATED OVERALL WITH 0.00127 [.000050] NICKEL, THEN 0.00076 [.000030] GOLD OVER CONTACT LENGTH INDICATED AND MATTE TIN-LEAD ON SOLDER TAIL END.
- 3 CIRCUIT IDENTIFICATION CHARACTERS ARE ADJACENT TO THE INDICATED CAVITIES, BUT LOCATION AND ORIENTATION MAY DIFFER FROM PRINT.
- 4 DIMENSIONS IN BRACKETS ARE IN INCHES.
- 5 CONTACT IS PLATED OVERALL WITH 0.00127 [.000050] NICKEL, THEN 0.00076 [.000030] GOLD OVER CONTACT LENGTH INDICATED AND MATTE TIN ON SOLDER TAIL END.
- 6 SUPERSEDED BY 350786-3
- 7 DIMENSIONS WITH REPRESENT PRODUCT IN DRY CONDITION. ADDITIONAL 2% GROWTH DUE TO END USE LOCATION MOISTURE ABSORPTION MAY OCCUR AND SHOULD BE ACCOUNTED FOR.



MATERIAL	HOUSING MATERIAL	PART NUMBER
PHOSPHOR BRONZE, PRE-TIN	NYLON, UL94V-0, BLUE	1-350786-6
PHOSPHOR BRONZE, PRE-TIN	NYLON, UL94V-0, RED	1-350786-2
PHOSPHOR BRONZE, GOLD 5	NYLON, UL94V-0, WHITE	350786-3
PHOSPHOR BRONZE, GOLD 2	NYLON, UL94V-0, WHITE	350786-2
PHOSPHOR BRONZE, PRE-TIN	NYLON, UL94V-0, WHITE	350786-1

THIS DRAWING IS A CONTROLLED DOCUMENT.

DIMENSIONS: mm	TOLERANCES UNLESS OTHERWISE SPECIFIED:	0 PLC ±	1 PLC ±	2 PLC ± 0.13 [.005]	3 PLC ±	4 PLC ±	ANGLES ± 0°30'
MATERIAL SEE TABLE	FINISH SEE TABLE	WEIGHT 0.000000	SIZE A1	CAGE CODE 00779	DRAWING NO. C=350786	RESTRICTED TO	

CUSTOMER DRAWING SCALE 5:1 SHEET 1 of 1 REV R4