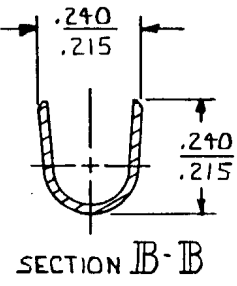
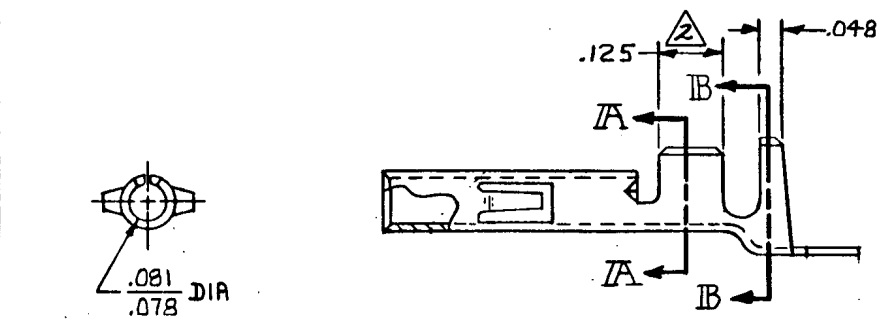
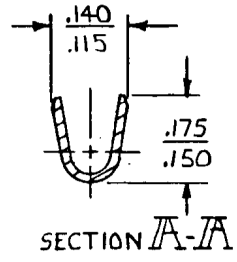
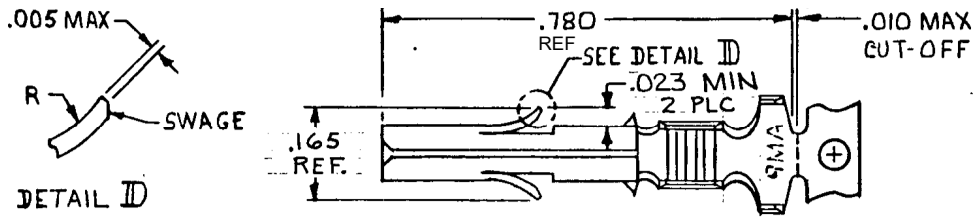



© COPYRIGHT — BY —

REVISIONS						
P	F	ZONE	LTR	DESCRIPTION	DATE	APPROVED
			T	REVISED PER ECR-12-013323	11AUG12	TM
			T1	REVISED PER ECR-19-001179	08FEB2019	SF



⚠ INSULATION RANGE: .130-.200 DIA.

350919-3	PRE-TIN	.012 PH. BRZ	350874-3
		.012 BRASS	
	PRE-TIN		350874-1
LOOSE PIECE (REF)	FINISH	MATERIAL	PART NO

UNLESS OTHERWISE SPECIFIED DIMENSIONS ARE IN INCHES. TOLERANCES ON: DECIMALS ±.015 ANGLES ±	CONTRACT NO	 TE Connectivity		
	DR <i>m. Feher 9-22-81</i>			
	CHK <i>D.S. Weide 6/9/81</i>	NAME	SOCKET, UNIVERSAL MATE-N-LOK™	
WIRE RANGE	APPD <i>D. Polachuk 6-10-81</i>	SIZE	CODE IDENT NO	DRAWING NO
18-14 AWG		B	00779	350874
INSULATION RANGE	DSGN APPD	SCALE 4-1		SHEET
⚠	OTHER APPD			