

THIS DRAWING IS UNPUBLISHED.

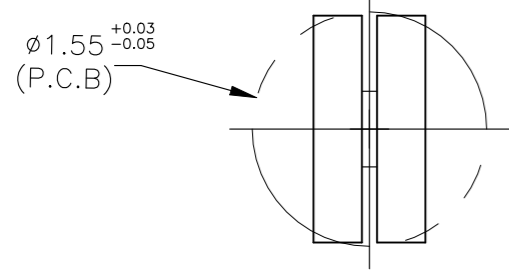
RELEASED FOR PUBLICATION

REVISIONS

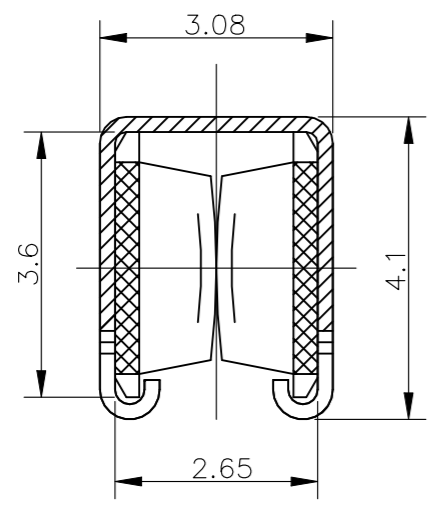
© COPYRIGHT - TE Connectivity

ALL RIGHTS RESERVED.

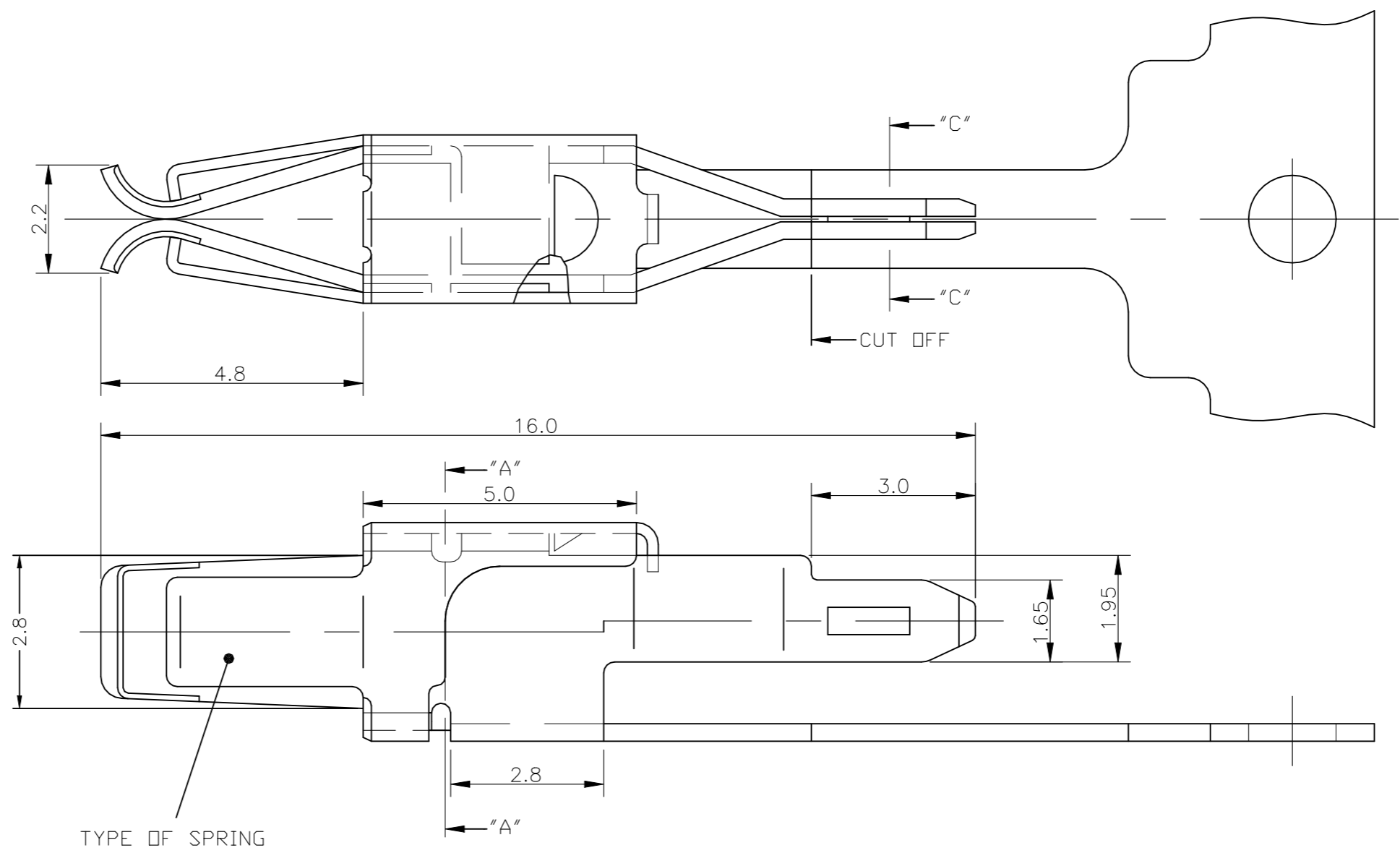
P	LTR	DESCRIPTION	DATE	DWN	APVD
	J3	REVISEC(ECR-22-133506)	23MAR2022	HJ	YJ



SECTION "C-C"
SCALE = 20:1



SECTION "A-A"



NOTE
- TOLERANCES UNLESS OTHERWISE SPECIFIED

DIM.	TOL.
0 < XX < 10	± 0.2
10 ≤ XX < 30	± 0.25
30 ≤ XX < 100	± 0.3
ANGLES	± 3°

OBSOLETE

J3 REACTIVATION

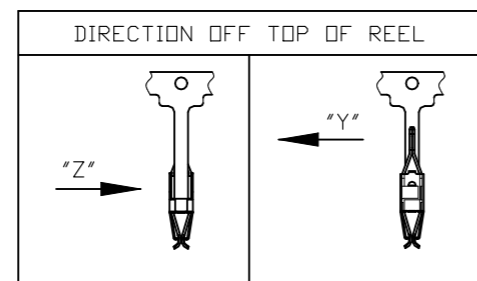
PRE-TINNED	MAKE FROM 368067-2	4-368067-1	"Z"	CONTI' CHINA
PRE-TINNED	MAKE FROM 368067-2	3-368067-2	-	LOOSE PIECE
PRE-TINNED	CuNiSi 0.32Thk	2-368067-1	"Y"	LOCAL ONLY
PRE-TINNED	CuNiSi 0.32Thk	368067-3	"Z"	EXPORT ONLY
PRE-TINNED	CuNiSi 0.32Thk	1-368067-2	"Y"	-
PRE-TINNED	CuNiSi 0.32Thk	368067-2	"Z"	PAPER REEL
FINISH	MATERIAL	P/N	REEL DIRECTION	REMARKS

THIS DRAWING IS A CONTROLLED DOCUMENT.

DWN	MJ KWON	30JAN2020
CHK	JY KIM	30JAN2020
APVD	YJ YOUN	30JAN2020
PRODUCT SPEC	108-61042	
APPLICATION SPEC	-	
WEIGHT	0	



JPT TYPE MINI FUSE REC.
CONTACT FOR P.C.B



DIMENSIONS:	TOLERANCES UNLESS OTHERWISE SPECIFIED:
mm	
0 PLC	± -
1 PLC	± -
2 PLC	± -
3 PLC	± -
4 PLC	± -
ANGLES	± -
FINISH	± -

MATERIAL
SEE TABLE

FINISH
SEE TABLE

SIZE	CAGE CODE	DRAWING NO	RESTRICTED TO
A3	00779	C-368067	-

CUSTOMER DRAWING SCALE 10:1 SHEET 1 OF 1 REV J3