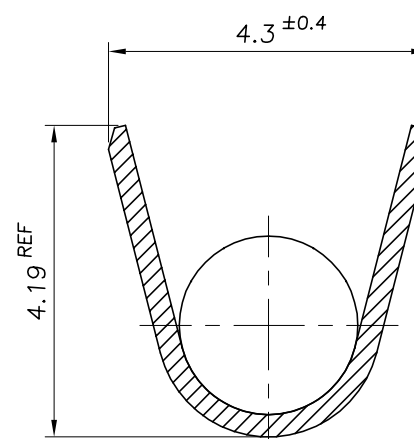
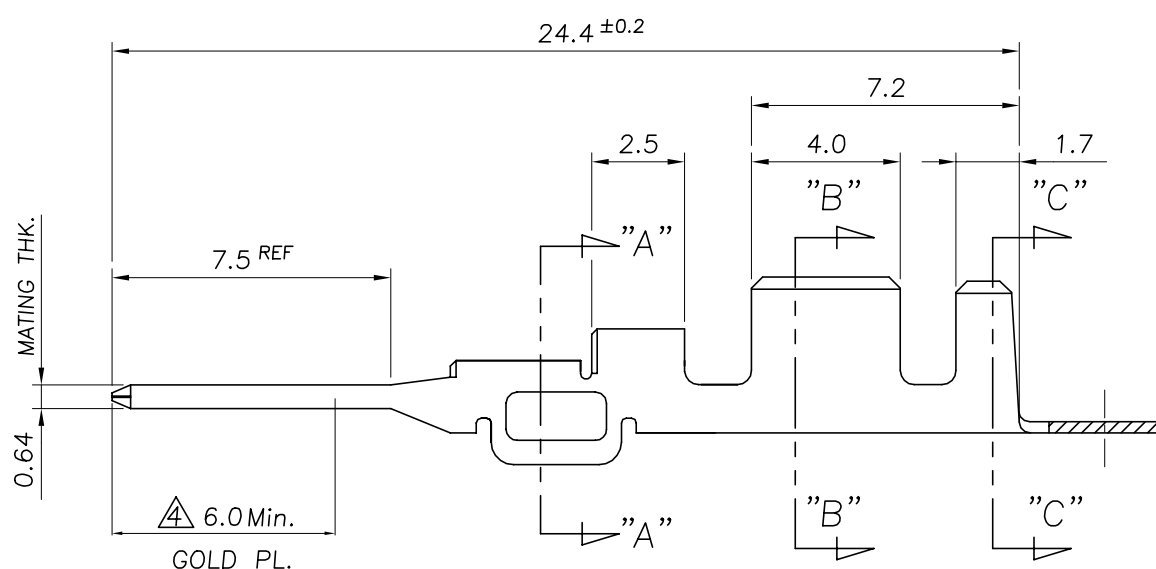
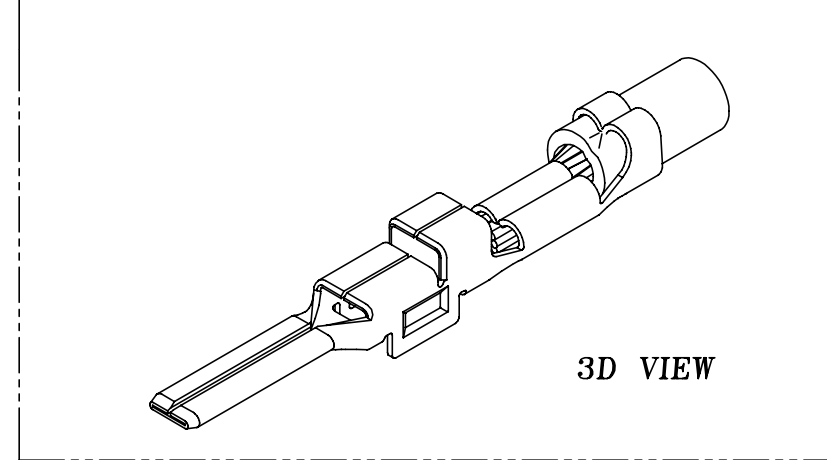
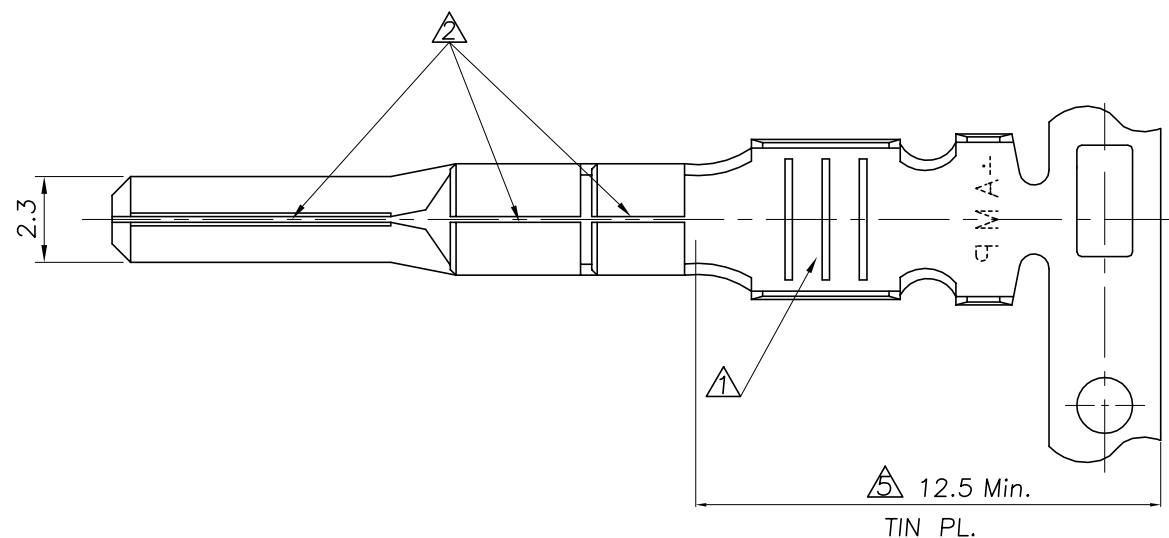
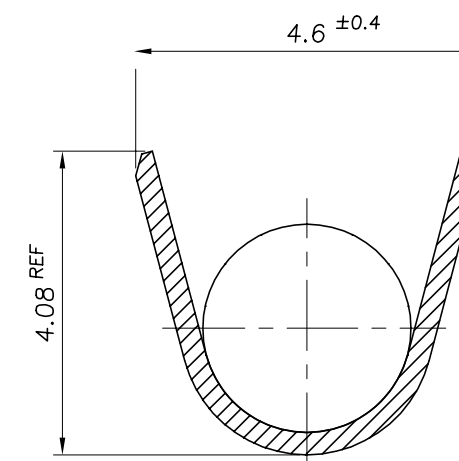


P	LTR	DESCRIPTION	DATE	DWN	APVD
C		REVISED (ECR-23-163501)	13/JAN/23	JW	KT



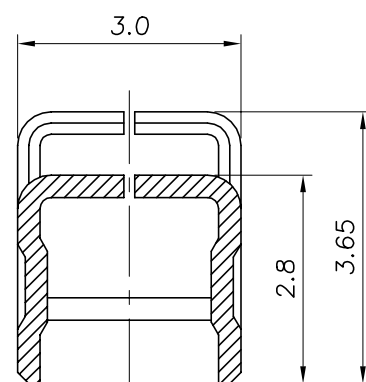
SECTION "B-B"
SCALE=10/1



SECTION "C-C"
SCALE=10/1

* NOTES

- △ THREE SERRATIONS CENTERED IN WIRE BARREL.
- △ 0.15 MAX GAP PERMISSIBLE.
- 3 WIRE SIZE EQUIV AVSS 2.0 ~ AESSXF 2.5sqmm.



SECTION "A-A"
SCALE=10/1

TOLERANCES UNLESS OTHERWISE SPECIFIED:

0 <XX<10 ± 0.2

10<XX<30 ± 0.25

ANGLES ± 3°

4/5 SELECTIVE GOLD PRE-TINNED FINISH	BRASS STRIP 0.30THK.	1 368086 1
		368086-1
	MATERIAL	PART NUMBER

THIS DRAWING IS A CONTROLLED DOCUMENT.		DWN KT JUNG		TE Connectivity	
DIMENSIONS: ZPT		CHK JW JUNG			
TOLERANCES UNLESS OTHERWISE SPECIFIED:		APVD HG CHO		NAME	
		PRODUCT SPEC 108-61021		.090 II MLC TAB CONTACT	
MATERIAL		FINISH		SIZE CAGE CODE DRAWING NO RESTRICTED TO	
-		-		A3 00779 C-3 6 8 0 8 6	
		WEIGHT NET; 0.37gf		CUSTOMER DRAWING	
		SCALE 5/1		SHEET 1 of 1 REV C	