

SAFETY ORGANIZATION(S):

THIS FILTER HAS BEEN FORMALLY RECOGNIZED, CERTIFIED OR APPROVED BY THE LISTED AGENCY. THEREFORE, ALL TEST/REQUIREMENTS SPECIFIED IN THE LATEST REVISION OF THE FOLLOWING AGENCY STANDARDS HAVE BEEN MET:

- UL RECOGNIZED
- CSA CERTIFIED
- VDE APPROVED
- UL 1283
- CSA 22.2, NO.0,0,4,8
- VDE 565-3

OPERATING SPECIFICATIONS:

- LINE VOLTAGE/CURRENT: 3 AMP., 120/250 VAC
- 50-60HZ
- LINE FREQUENCY: 2 AMP./40°C, 250 VAC
- MAX. LEAKAGE CURRENT, EACH LINE TO GROUND: .3mA @ 120V 60HZ
- .5mA @ 250V 50HZ
- OPERATING AMBIENT TEMP. RANGE: -10°C TO +60°C @ RATED CURRENT, I_r

IN AN AMBIENT, T_a, HIGHER THAN 60°C, THE MAXIMUM OPERATING CURRENT, I_o, IS AS FOLLOWS:

$$I_o = I_r \sqrt{\frac{85-T_a}{25}}$$

RELIABILITY SPECIFICATIONS:

- STORAGE TEMPERATURE: -40°C TO +85°C
- HUMIDITY: 21 DAYS @ 40°C 95% RH
- CURRENT OVERLOAD TEST: 6 TIMES RATED CURRENT FOR 8 SECONDS

TEST SPECIFICATIONS:

- INDUCTANCE: 2.3mH NOMINAL
- CAPACITANCE: (MEASURED @ 1 KHz, 0.25 VAC MAX., 25°C ±1°C)
- LINE TO GROUND: 8000pF ±20%
- LINE TO LINE: 0.37µF ±20%
- DISCHARGE RESISTOR: 820 KΩ
- LINE/GROUND AND LINE/LINE INSULATION RESISTANCE (WITHOUT DISCHARGE RESISTOR): 5000 MΩ (MIN) AT 100 VDC
- 20°C AND 50% RH

RECOMMENDED RECEIVING INSPECTION HIPOT:

- LINE TO GROUND: 2250 VDC FOR 1 MINUTE
- LINE TO LINE: 1450 VDC FOR 1 MINUTE

FILTER APPROVAL:

THE BEST WAY TO SELECT AND QUALIFY A FILTER IS FOR YOUR ENGINEERING TO TEST THE UNIT IN YOUR EQUIPMENT.

TOLERANCE EXCEPT AS NOTED

DECIMAL: .XXX .XX .X ANGLES ± 1°
ENGLISH: ±.025
METRIC: ±

MATERIAL: AS SUPPLIED

FINISH:

50Ω - 50Ω (MINIMUM) INSERTION LOSS

FREQUENCY MHz	.01	.05	.07	.15	.50	1	5	10	30
COMMON dB	2	13	15	21	35	46	44	44	44
DIFF. dB	—	—	5	34	60	65	60	60	50

This document is proprietary to CORCOM INC. and is not to be reproduced nor used for manufacturing purposes except on CORCOM's order or prior written consent.



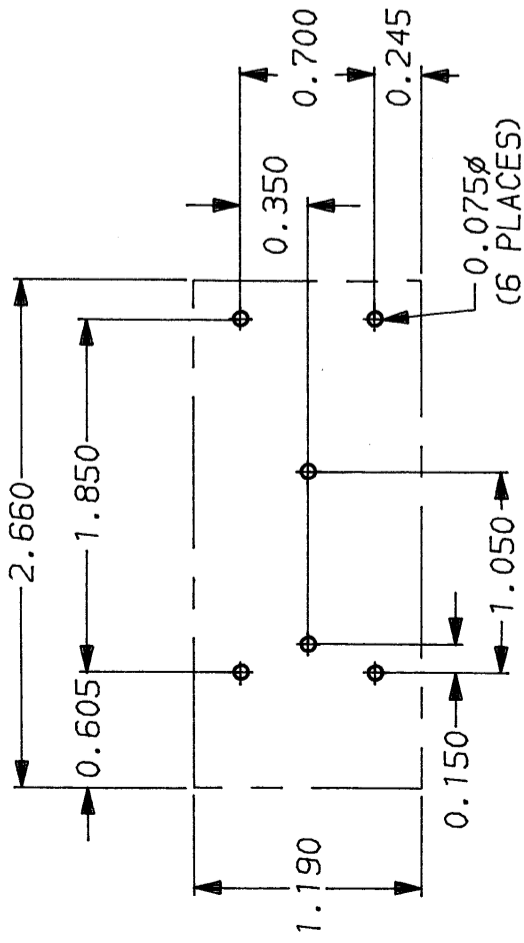
LIBERTYVILLE, IL 60048

POWER LINE FILTER

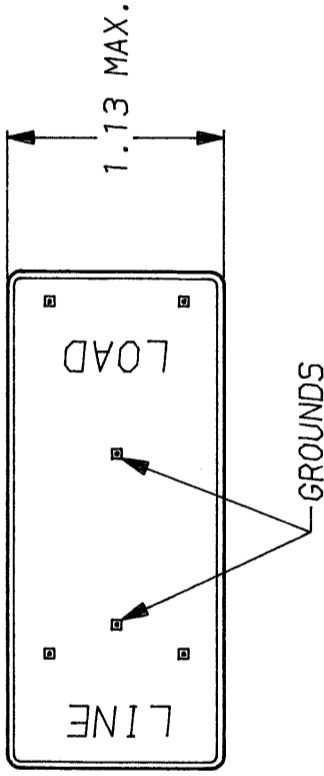
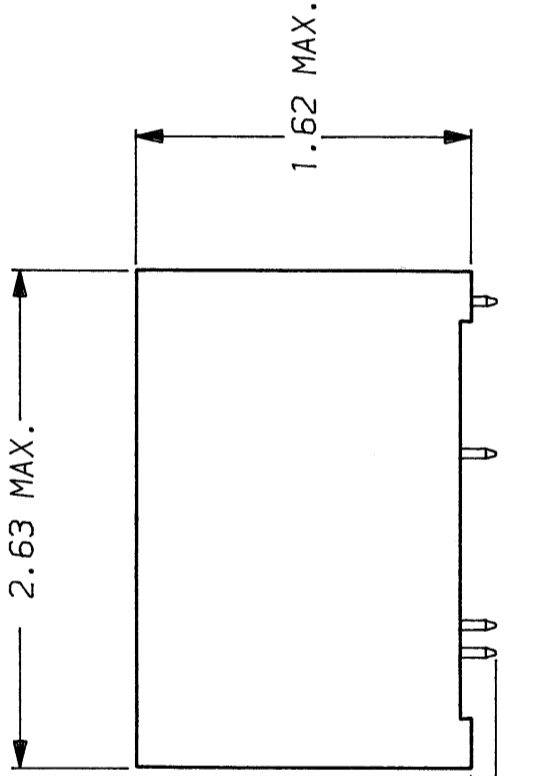
SCALE NTS DATE 2-6-87 DRG. NO.

DRW. BY LJD ORIGINATOR CFW

REV. 3EXP.03



RECOMMENDED MOUNTING HOLES & CLEARANCE AREA TOLERANCE UNLESS OTHERWISE SPECIFIED: ±.006



PINS: .065 MAX. DIAGONAL (6 PLACES)

