

**SAFETY ORGANIZATION(S):**

THIS FILTER HAS BEEN FORMALLY RECOGNIZED, CERTIFIED OR APPROVED BY THE LISTED AGENCY. THEREFORE, ALL TEST/REQUIREMENTS SPECIFIED IN THE LATEST REVISION OF THE FOLLOWING AGENCY STANDARDS HAVE BEEN MET:

UL RECOGNIZED	UL 1283
CSA CERTIFIED	CSA 22.2, NO.0,0.4,8
VDE APPROVED	VDE 565-3, 625

**OPERATING SPECIFICATIONS:**  
 LINE VOLTAGE/CURRENT: 3 AMP.; 120/250 VAC  
 2 AMP./40°C, 250 VAC

LINE FREQUENCY: 50-60Hz  
 MAX. LEAKAGE CURRENT, EACH  
 LINE TO GROUND .3mA @ 120V 60Hz  
 .5mA @ 250V 50Hz  
 OPERATING AMBIENT TEMP. RANGE: -10°C TO +40°C @ RATED CURRENT, I<sub>r</sub>

IN AN AMBIENT, T<sub>a</sub>, HIGHER THAN 40°C, THE MAXIMUM OPERATING CURRENT, I<sub>o</sub>, IS AS FOLLOWS:

$$I_o = I_r \sqrt{\frac{85 - T_a}{45}}$$

**RELIABILITY SPECIFICATIONS:**

STORAGE TEMPERATURE: -25°C TO +85°C  
 HUMIDITY: 21 DAYS @ 40°C 95% RH  
 CURRENT OVERLOAD TEST: 6 TIMES RATED CURRENT FOR 8 SECONDS

**TEST SPECIFICATIONS:**

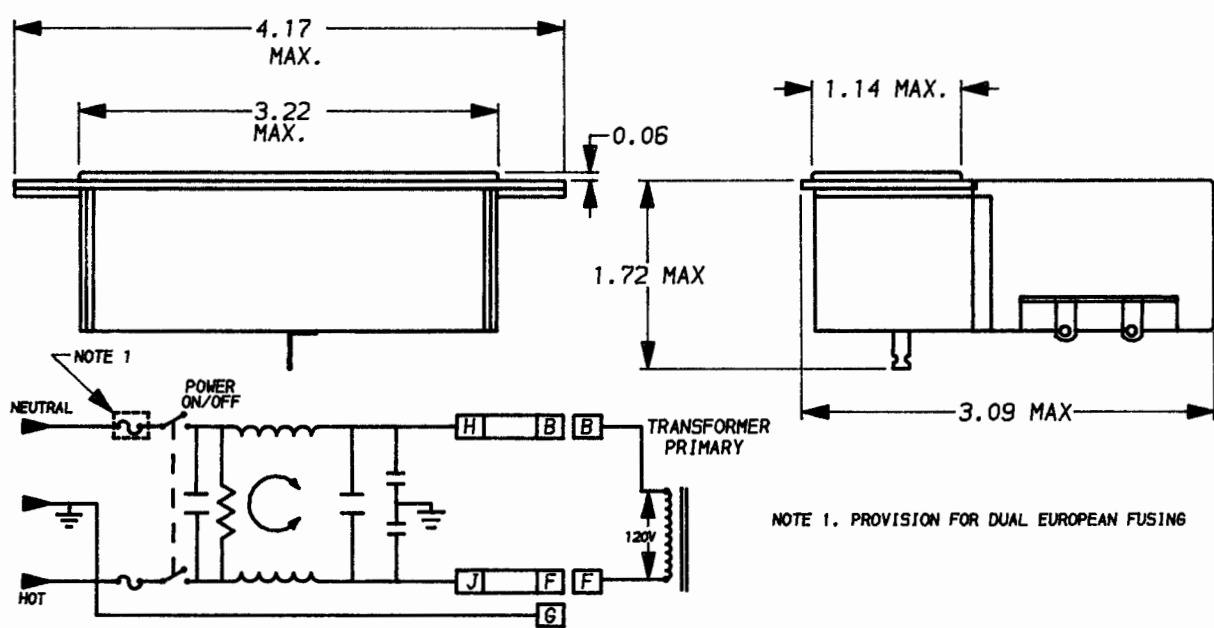
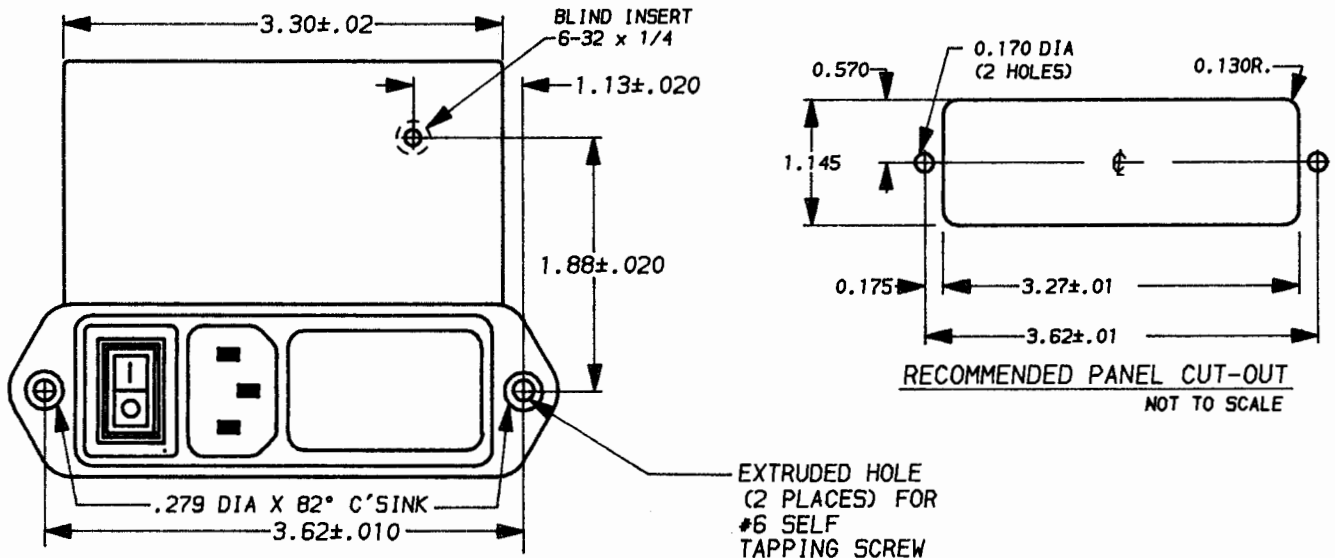
INDUCTANCE: 2.3mH NOMINAL  
 CAPACITANCE: (MEASURED @ 1 KHz, 0.25 VAC MAX., 25°C ±1°C)  
 LINE TO GROUND: .004µF ±20%  
 LINE TO LINE: .37µF ±20%  
 DISCHARGE RESISTOR: 820KΩ  
 LINE/GROUND AND LINE/LINE: 6000 MΩ (MIN) AT 100 VDC  
 INSULATION RESISTANCE: 20°C AND 50% RH  
 (W/O DISCHARGE RESISTOR)

**RECOMMENDED RECEIVING INSPECTION HIPOT:**

LINES TO GROUND: 1500 VAC FOR 1 MINUTE  
 LINE TO LINE: 1450 VDC FOR 1 MINUTE

**FILTER APPROVAL:**

THE BEST WAY TO SELECT AND QUALIFY A FILTER IS FOR YOUR ENGINEERING TO TEST THE UNIT IN YOUR EQUIPMENT.



50Ω - 50Ω (MINIMUM) INSERTION LOSS											
FREQUENCY MHz	.01	.02	.03	.05	.07	.15	.50	1.0	5	10	30
COMMON dB	15	21	25	29	32	39	46	43	40	40	40
DIFF. dB	—	5	13	28	37	55	75	75	62	54	44

UNLESS OTHERWISE SPECIFIED, TOLERANCE TO BE ±.025  
 MATERIAL & FINISH: AS SUPPLIED  
 This document is proprietary to CORCOM INC. and is not to be reproduced nor used for manufacturing purposes except on CORCOM'S prior written consent.

**corcom**  
 LIBERTYVILLE, IL 60048

**POWER LINE FILTER**

DATE: 4-18-94 CATALOG NO. 3EZM1S.03  
 APPROV. REV. 03

CAD NO. 3EZM1S.03