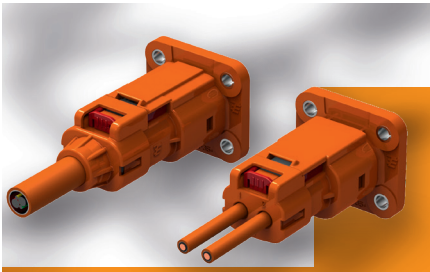
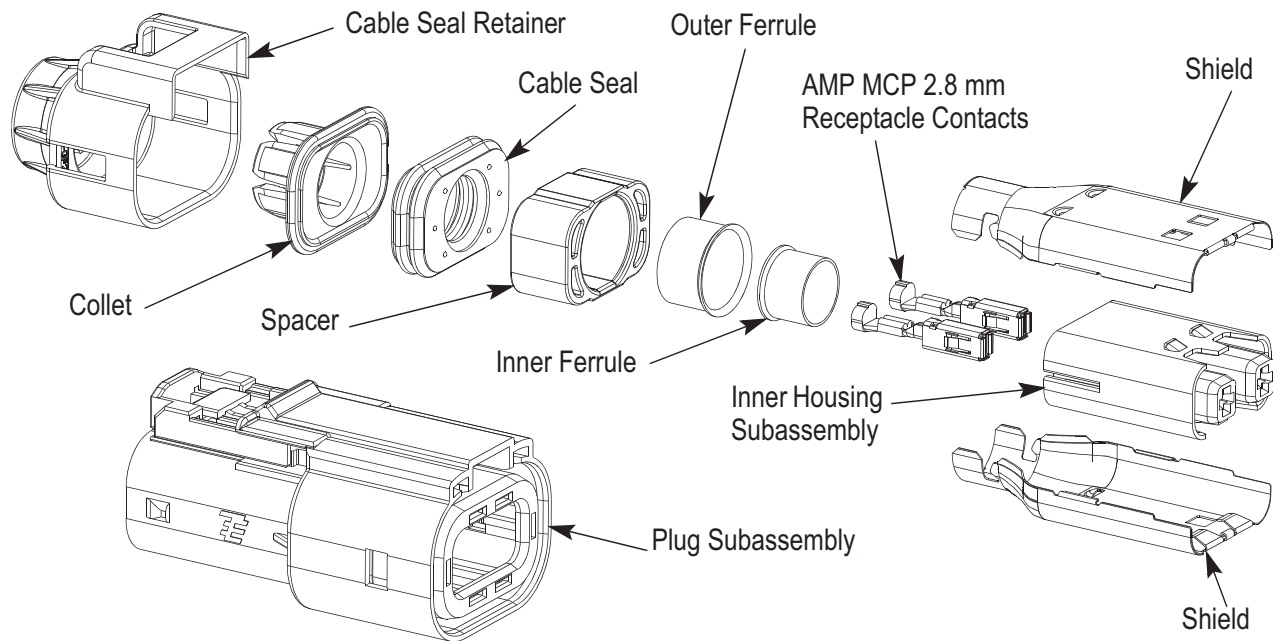


Kit Number **YHV280-2pm-s-4mm-D**



AMP+ High Current Connectors and Headers

AMP+ HVA 280



Connector Series

AMP+ HVA280

Positions	2
Cable Size	4 mm ²
Wire Type	Multicore
HVIL	Present, Shunt Version
Key Coding	D
Application Specification	114-13305
Product Specification	108-32020
Mating Header PN	2103124-4

Bill of Materials

Part Number	Description	Quantity
4-2103015-4	Plug subassy, finger latch, with CPA, Key D	1
1587985-1	Inner Housing subassy, shunted	1
1-2103157-1	Shield	2
1587723-3	Inner Ferrule	1
1587724-3	Outer Ferrule	1
2103153-1	Spacer	1
2103154-1	Cable Seal	1
2103155-1	Collet	1
2103013-1	Cable seal retainer	1
1-968853-3	AMP MCP 2.8, 2.5- 4.0 mm ²	2

DISCLAIMER

While TE Connectivity (TE) has made every reasonable effort to ensure the accuracy of the information in this document, TE does not guarantee that it is error-free, nor does TE make any other representation, warranty or guarantee that the information is accurate, correct, reliable or current. TE reserves the right to make any adjustments to the information contained herein at any time without notice.

TE expressly disclaims all implied warranties regarding the information contained herein, including, but not limited to, any implied warranties of merchantability or fitness for a particular purpose. The dimensions in this catalog are for reference purposes only and are subject to change without notice. Specifications are subject to change without notice. Consult TE for the latest dimensions and design specifications.

TRADEMARKS

AMP+, AMP MCP, TE, TE Connectivity, and TE connectivity (logo) are trademarks.

Other product names, logos, and company names mentioned herein may be trademarks of their respective owners.

COPYRIGHT

© 2019 TE Connectivity | All rights reserved.

4-1773982-7 | 09-2019

CONTACT

TE Connectivity

4849 Hempstead Station Drive | Kettering, OH 45429 | USA

Phone: +1 800 522 6752