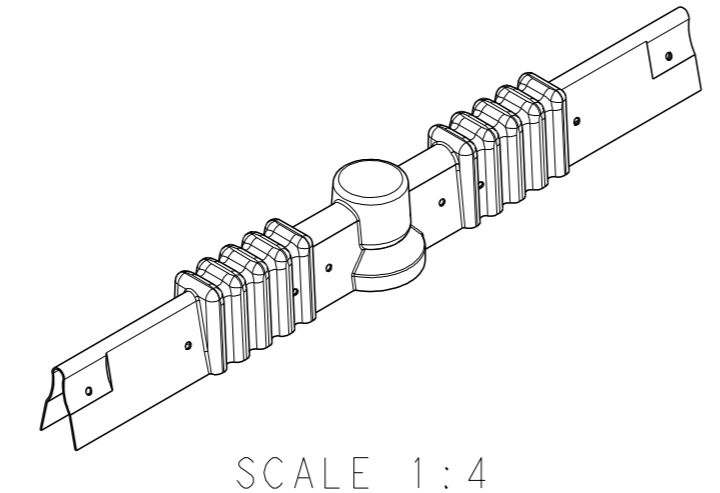
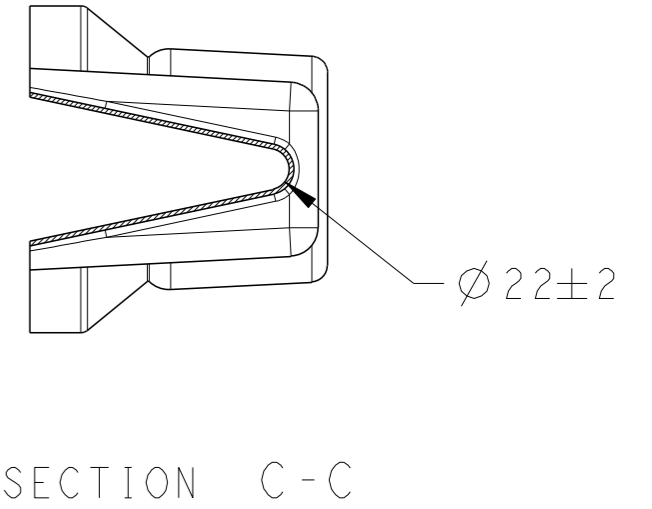
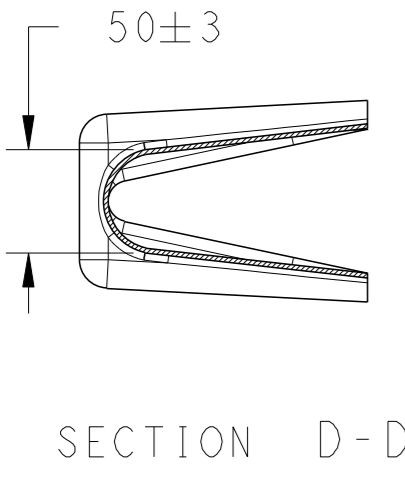
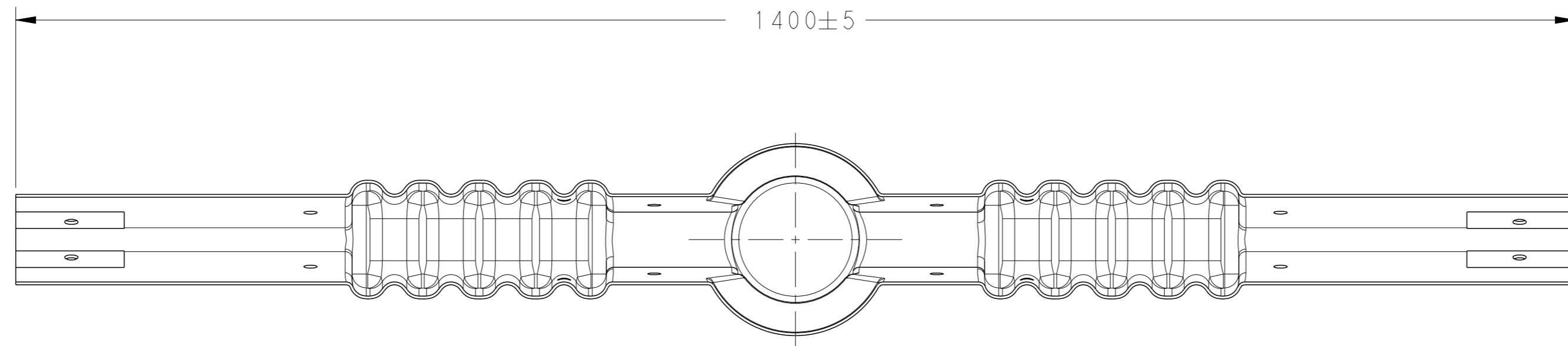
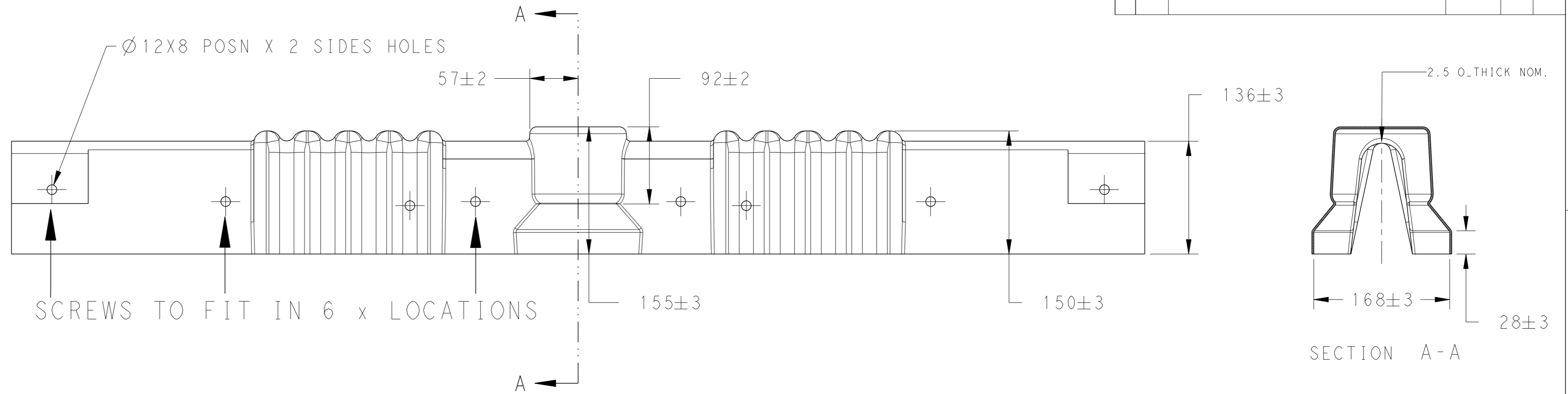


THIS DRAWING IS UNPUBLISHED
 RELEASED FOR PUBLICATION 2012
 ALL RIGHTS RESERVED.
 © COPYRIGHT 2012 By TE Connectivity

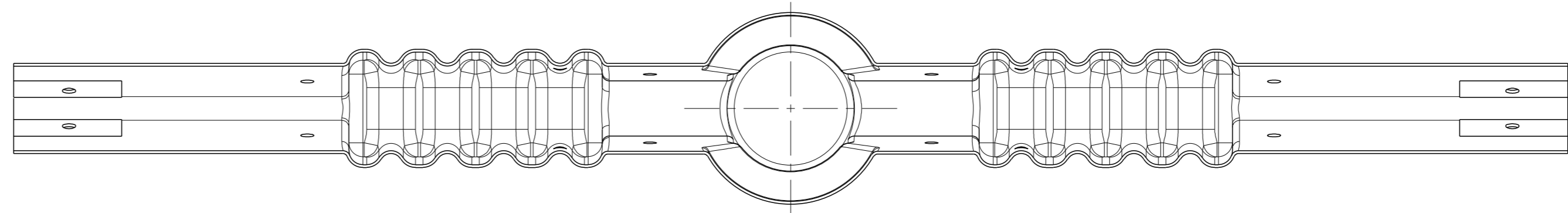
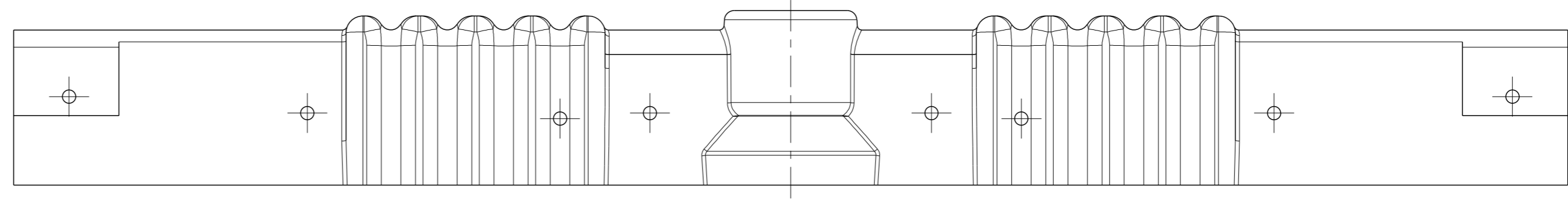
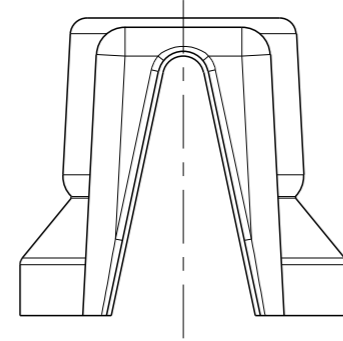
LOC		DIST		REVISIONS			
P	LTR	DESCRIPTION	DATE	DWN	APVD		
A		NEW DRAWING	14MAR2012	VP	I.B		
B		The Hole dimension change to 12mm	30MAY2012	VP	I.B		



THIS DRAWING IS A CONTROLLED DOCUMENT.		DWN Vishnu 16APR2012	STE TE Connectivity															
DIMENSIONS: mm		CHK I_BOND 16APR2012																
TOLERANCES UNLESS OTHERWISE SPECIFIED:		APVD I_Bond 16APR2012	NAME BC1C-1217-TR-DE02-(B36)															
<table border="1"> <tr><td>Ø PLC</td><td>±</td></tr> <tr><td>1 PLC</td><td>±</td></tr> <tr><td>2 PLC</td><td>±</td></tr> <tr><td>3 PLC</td><td>±</td></tr> <tr><td>4 PLC</td><td>±</td></tr> <tr><td>ANGLES</td><td>±1°</td></tr> <tr><td>FINISH</td><td></td></tr> </table>		Ø PLC	±	1 PLC	±	2 PLC	±	3 PLC	±	4 PLC	±	ANGLES	±1°	FINISH		PRODUCT SPEC -	SIZE CAGE CODE DRAWING NO RESTRICTED TO	
Ø PLC	±																	
1 PLC	±																	
2 PLC	±																	
3 PLC	±																	
4 PLC	±																	
ANGLES	±1°																	
FINISH																		
MATERIAL -		APPLICATION SPEC -	A200779 C-4-1899726-8															
		WEIGHT -	SCALE 1:4 SHEET 1 OF 2 REV B															
		CUSTOMER DRAWING																

THIS DRAWING IS UNPUBLISHED
 RELEASED FOR PUBLICATION 2012
 © COPYRIGHT 2012 By TE Connectivity ALL RIGHTS RESERVED.

LOC	DIST	REVISIONS			
P	LTR	DESCRIPTION	DATE	DWN	APVD
AI	-	SEE SHEET 1	-	-	-



1. MATERIAL : CLEAR PET-
2. MIN WALL THICKNESS 1.5 mm
3. TOLERANCE +/- 3mm UNLESS OTHERWISE STATED.
4. COLD MARKS ALLOWABLE SO LONG AS WALL THICKNESS MAINTAINED.
5. PART TO BE SHIPPED CLEAN AND FREE OF DUST AND DEBRIS.
6. EACH PART TO BE EMBOSSSED WITH "TE CONNECTIVITY" , "DATE" , PART NO" AND "RECYCLE CYMBOL".
MIN 6mm HIGH.
7. EACH BOX TO BE LABELLED WITH DESCRIPTION, BATCH NO, PART NO
MANUFACTURE DATE AND QUALITY.
8. EACH BOX TO INCLUDE 6pcs x 36 BAGS OF SCREWS.
9. EACH BOX TO INCLUDE 1x INSTALLATION INSTRUCTION
10. EACH BOX TO INCLUDE 36x CLEAR BIRDCAPS

THIS DRAWING IS A CONTROLLED DOCUMENT.		DWN Vishnu 16APR2012	TE TE Connectivity	
DIMENSIONS: mm		CHK I_BOND 16APR2012		
TOLERANCES UNLESS OTHERWISE SPECIFIED:		APVD I_Bond 16APR2012	NAME BC1C-1217-TR-DE02-(B36)	
 1 PLC ± 2 PLC ± 3 PLC ± PLC ANGLES ±1° FINISH		PRODUCT SPEC -	RESTRICTED TO -	
MATERIAL -		APPLICATION SPEC -	SIZE A200779	CAGE CODE C-4-1899726-8
		WEIGHT -	DRAWING NO C-4-1899726-8	
		CUSTOMER DRAWING	SCALE 1:4	SHEET 2 OF 2 REV B