

Figure 1

1. INTRODUCTION

This instruction sheet provides the unmating procedure for 4-position JPT Radial Sealed Plug Connectors 638245-[].

Dimensions in this instruction sheet are in metric units.

Reasons for reissue of this instruction sheet are provided in Section 5, REVISION SUMMARY.

2. DESCRIPTION

The plug connector features a main connector latch used to secure the plug connector to the interface device when the plug connector is mated to the interface device. See Figure 1.

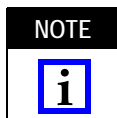
3. UNMATING

Firmly rotate the main connector latch of the plug connector *clockwise*, and pull the plug connector straight away from the interface device. **DO NOT** pull the wires. See Figure 2.

If desired, a flat head screwdriver (refer to dimensions in Figure 3) can be used to *gently* rotate the main connector latch as shown in Figure 3.



If using a screwdriver, DO NOT rotate the latch too far; otherwise it could break. BE CAREFUL not to damage the plug connector.



If the plug connector cannot be pulled away from the interface device, rotate the main connector latch a little further, and try to pull the plug connector again.

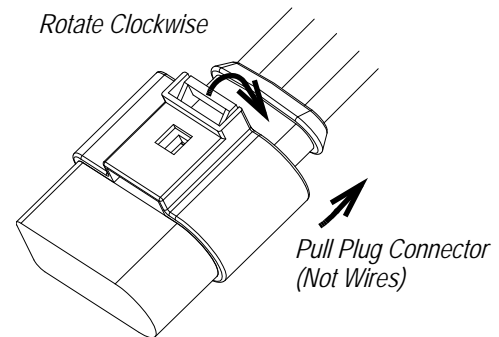


Figure 2

If Used, Applicable Screwdriver Dimensions

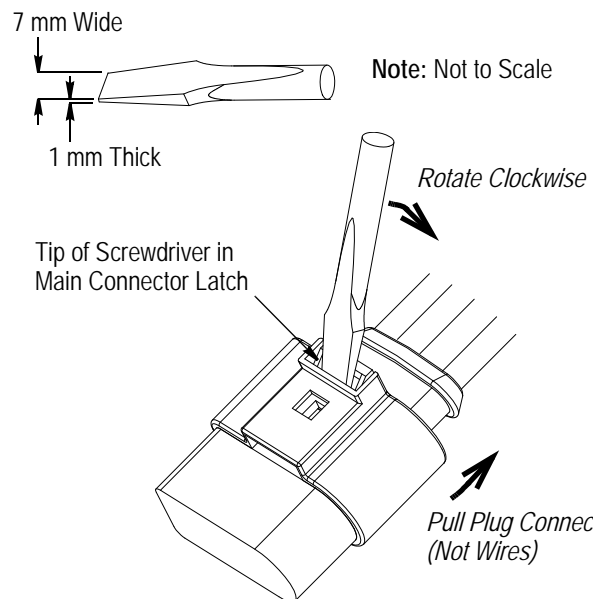


Figure 3

4. REPLACEMENT

DO NOT use defective or damaged plug connectors.

Order plug connectors through your Representative, or call 1-800-526-5142, or send a facsimile of your purchase order to 717-986-7605, or write to:

CUSTOMER SERVICE (038-035)
TYCO ELECTRONICS CORPORATION
PO BOX 3608
HARRISBURG PA 17105-3608

5. REVISION SUMMARY

Revisions to this instruction sheet include:

- Added screwdriver tip width and illustration to Figure 3