

POSITIONING THE TPA ON THE FEMALE CONNECTOR

This connector is supplied to the customer with the TPA assembled in the pre-lock position as shown in Figure 1. During shipping and handling, the TPA may be displaced to its locked position, preventing proper contact insertion. The TPA can be returned to its proper location using the following procedure.

Using a small screwdriver, push the TPA outwards, using the slots provided as shown in Figure 2, until the TPA returns to the pre-lock position as shown in Figure 1.

Using care and moderate pressure will prevent damage to the connector components. Refer to Tyco Electronics Instruction Sheet 408-8929 for a full description for using this connector.



Figures are for reference only and are not drawn to scale.

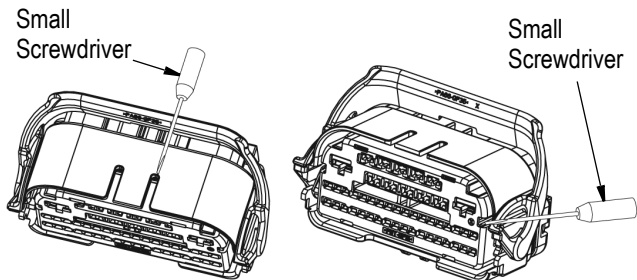
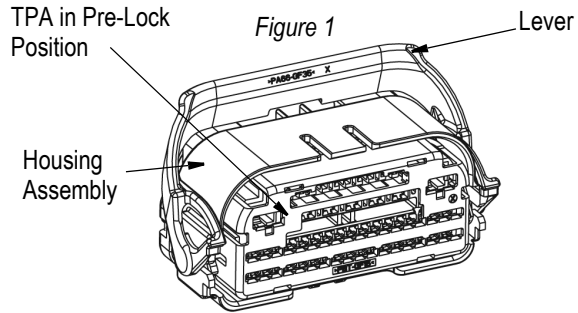


Figure 2

REVISION SUMMARY

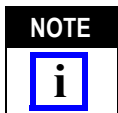
Updated format to corporate requirements.

POSITIONING THE TPA ON THE FEMALE CONNECTOR

This connector is supplied to the customer with the TPA assembled in the pre-lock position as shown in Figure 1. During shipping and handling, the TPA may be displaced to its locked position, preventing proper contact insertion. The TPA can be returned to its proper location using the following procedure.

Using a small screwdriver, push the TPA outwards, using the slots provided as shown in Figure 2, until the TPA returns to the pre-lock position as shown in Figure 1.

Using care and moderate pressure will prevent damage to the connector components. Refer to Tyco Electronics Instruction Sheet 408-8929 for a full description for using this connector.



Figures are for reference only and are not drawn to scale.

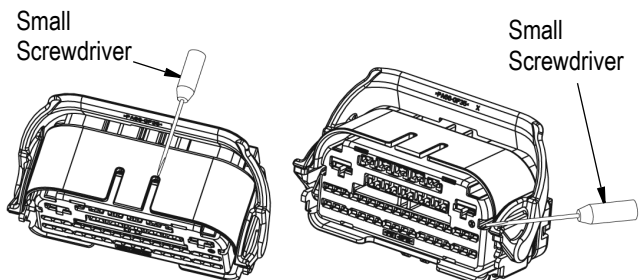
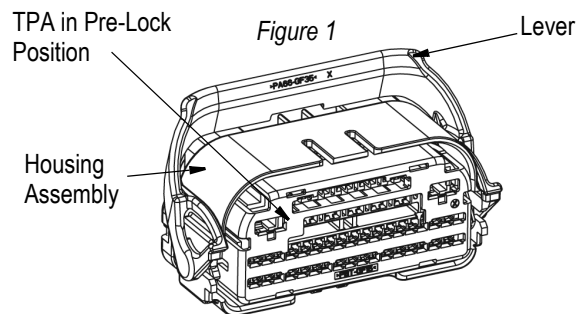


Figure 2

REVISION SUMMARY

Updated format to corporate requirements.

POSITIONING THE TPA ON THE MALE CONNECTOR

This connector is supplied to the customer with the TPA and MAP assembled in the pre-lock positions as shown in Figure 1. During shipping and handling, the TPA may be displaced to its locked position, preventing proper contact insertion. The TPA can be returned to its proper location using the following procedure:

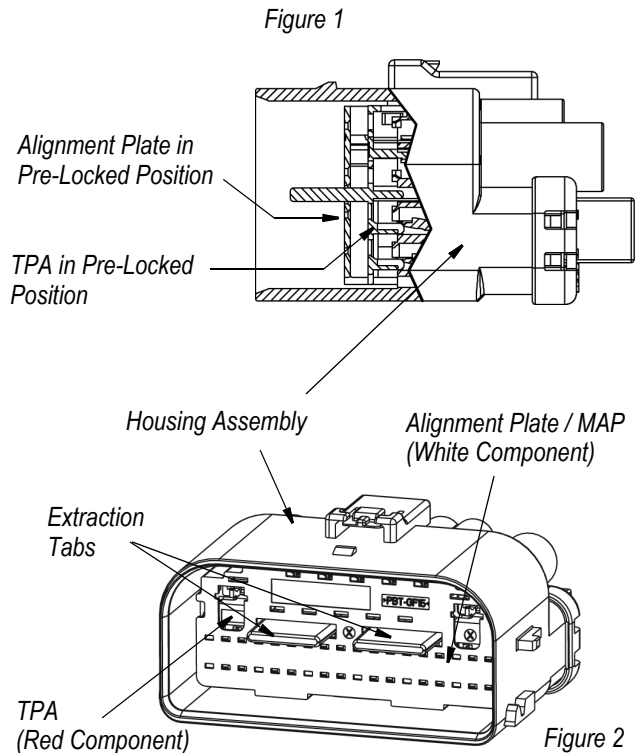
Pull back slightly on the red TPA extraction tabs (See Figure 2) until the TPA returns to the pre-lock position as shown in

Figure 1. A small pair of pliers may be used to facilitate removal of the TPA.

Using care and moderate pressure will prevent damage to the connector components. Refer to Tyco Electronics Instruction Sheet 408-8929 for a full description for using this connector.



Figures are for reference only and are not drawn to scale.



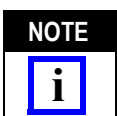
POSITIONING THE TPA ON THE MALE CONNECTOR

This connector is supplied to the customer with the TPA and MAP assembled in the pre-lock positions as shown in Figure 1. During shipping and handling, the TPA may be displaced to its locked position, preventing proper contact insertion. The TPA can be returned to its proper location using the following procedure:

Pull back slightly on the red TPA extraction tabs (See Figure 2) until the TPA returns to the pre-lock position as shown in

Figure 1. A small pair of pliers may be used to facilitate removal of the TPA.

Using care and moderate pressure will prevent damage to the connector components. Refer to Tyco Electronics Instruction Sheet 408-8929 for a full description for using this connector.



Figures are for reference only and are not drawn to scale.

