

AMPAMP INCORPORATED
HARRISBURG, PA 17105

REDUCED FOR PACKAGING

IS 9726

CUSTOMER HOTLINE

1 800 722-1111

EXTRACTION TOOL 314917-1
FOR AMP* ULTRA-POD FULLY INSULATED
FASTON* RECEPTACLES

RELEASED

7-22-91

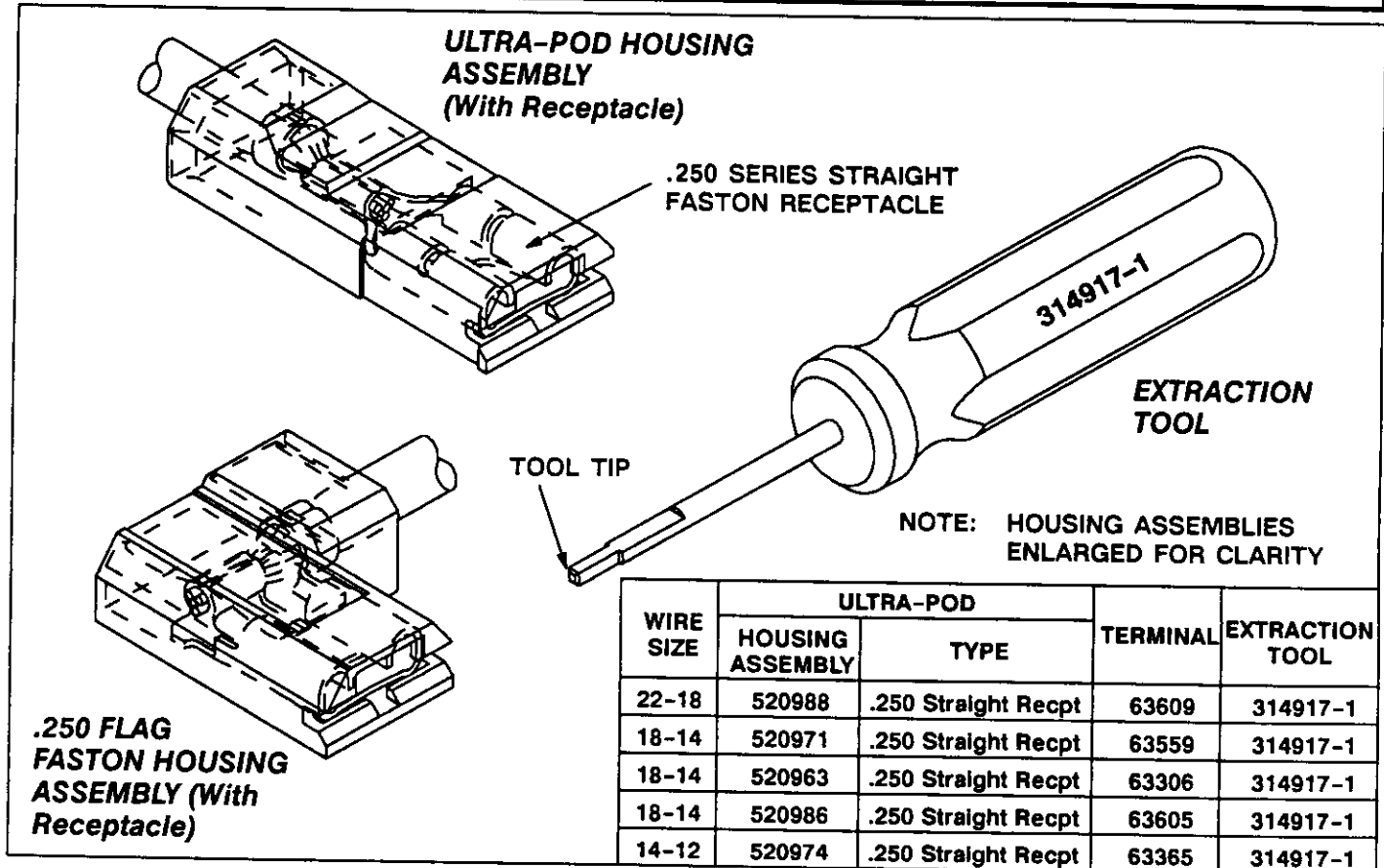


Fig. 1

cad

1. INTRODUCTION

AMP Extraction Tool 314917-1 is used to remove FASTON .250 Series Straight and .250 Series Flag Receptacles from AMP Ultra-Pod Fully Insulated Housings. Read these instructions thoroughly before removing any contacts. See Figure 1.

NOTE

All dimensions on this sheet are in inches.

2. DESCRIPTION

The extraction tip is used in a straight line manner. It is aligned with the mating face of the housing to raise the locking latch feature, inside the housing, which retains the contact.

3. EXTRACTION PROCEDURE

This procedure applies to both the .250 Series Straight and the .250 Series Flag Receptacles. Refer to Figure 2 and proceed as follows:

1. Orient the tip of the extraction tool with the mating face of the housing and contact. Make sure the flat surface of the tool is parallel with the open contact end.

2. Align tool in the center of the open contact end.

3. Hold the housing and wire in one hand; with the other hand, insert tip of tool and, with a slow and steady force, push carefully to raise the retention feature inside the housing.

4. Push tool further to force contact out the back of the pod. The flat-surface shoulder of the tool acts as a stop, as not to enter the housing too far.

5. Remove contact and tool.

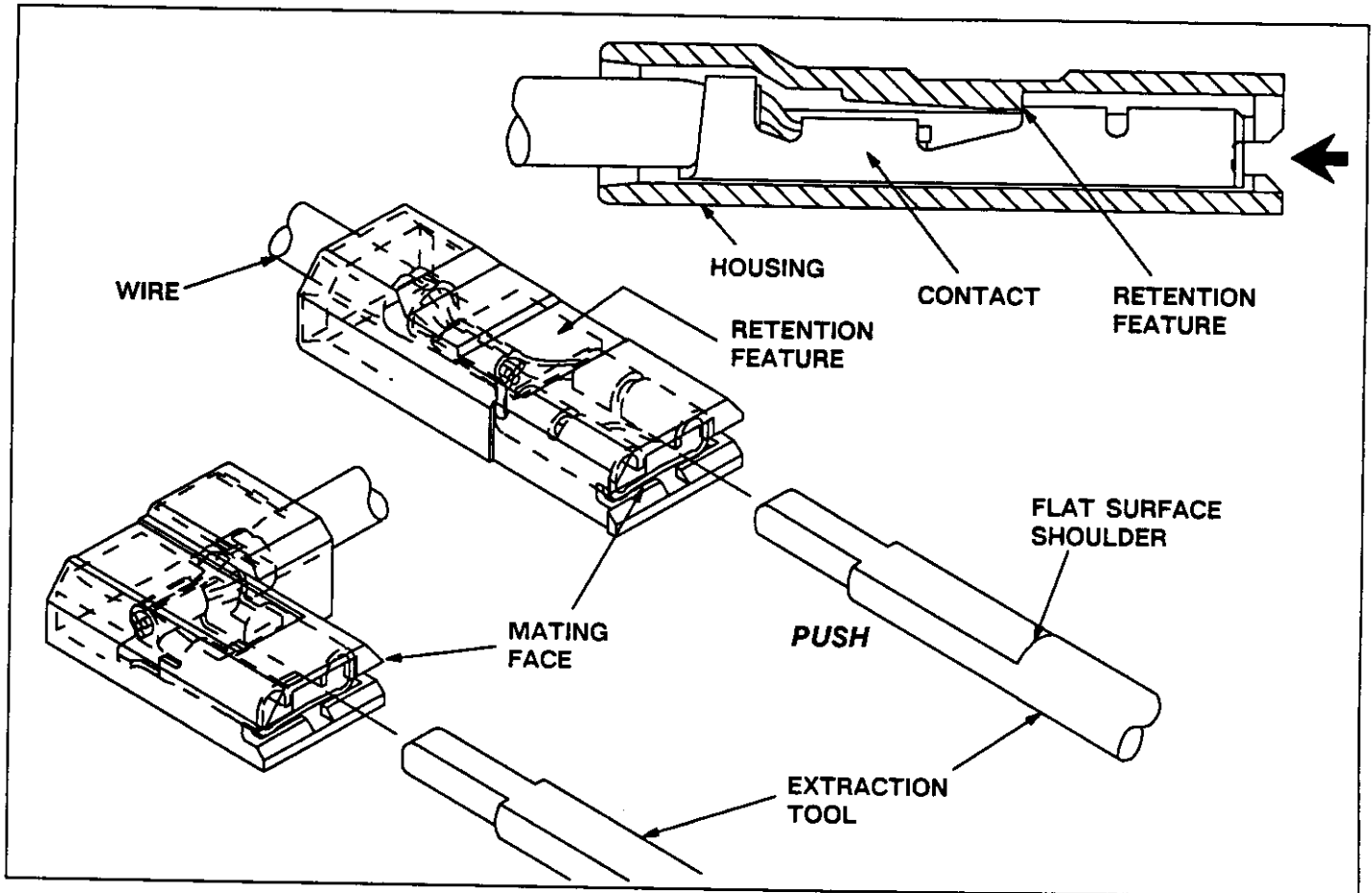


Fig. 2

cad

4. MAINTENANCE AND INSPECTION

a clean, dry place and cleaned with a soft, lint-free cloth.

To ensure proper operation, the tool should conform to the dimensions provided in Figure 3. It is recommended that the tool be inspected immediately on its arrival and at regularly scheduled intervals. The tool is not repairable and should be replaced when worn or damaged. It is recommended that the tool be stored in

Additional tools can be purchased from:

CUSTOMER SERVICE (38-35)
 AMP INCORPORATED
 P. O. BOX 3608
 HARRISBURG, PA 17105-3608

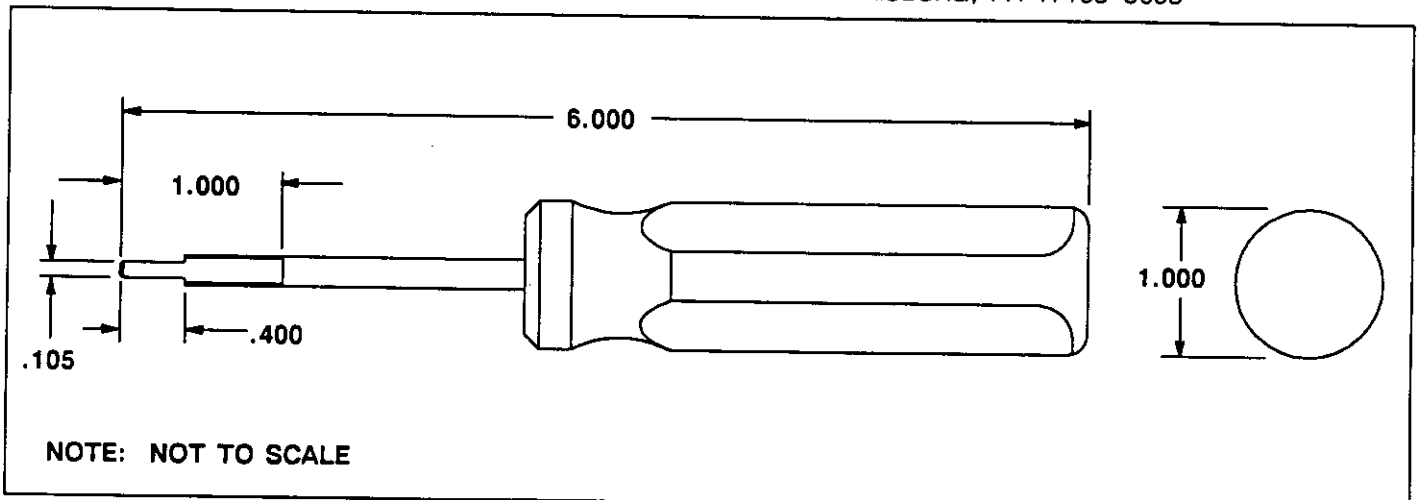


Fig. 3

cad