

THIS DRAWING IS UNPUBLISHED.

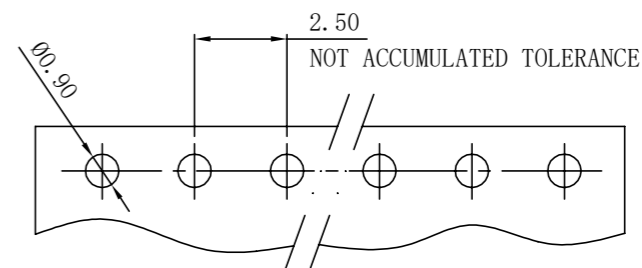
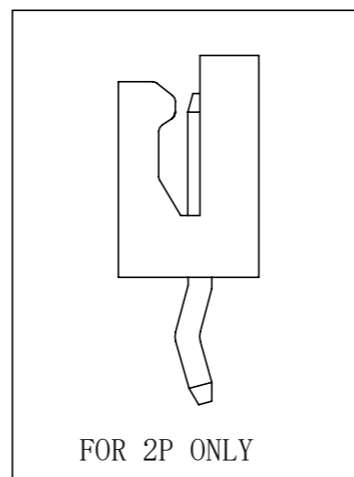
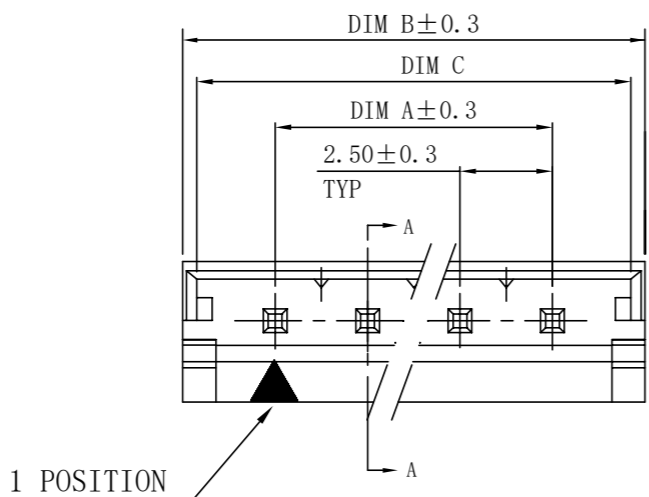
RELEASED FOR PUBLICATION

REVISIONS

© COPYRIGHT - By -

ALL RIGHTS RESERVED.

P	LTR	DESCRIPTION	DATE	DWN	APVD
	C8	ECR-20-004633	19MAR2020	T.Q	W.H



D

D

C

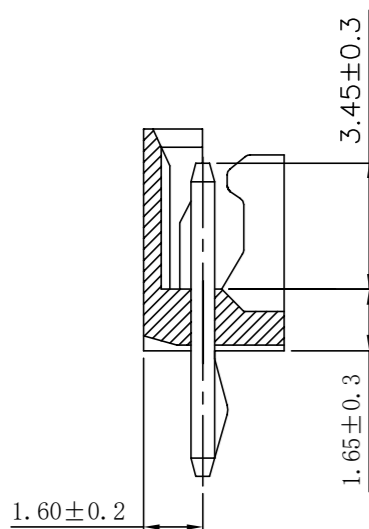
C

B

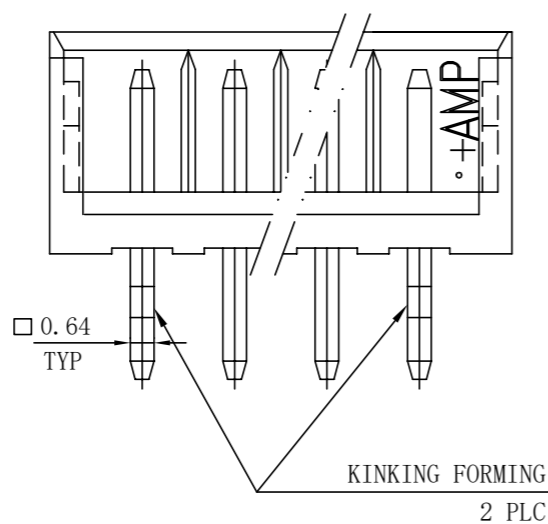
B

A

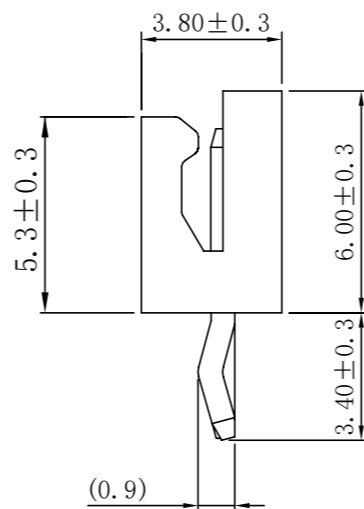
A



SECTION A-A



KINKING FORMING
2 PLC



FOR 3P TO 15P

DIM C	DIM B	DIM A	CIRCUITS	HOUSING COLOR	PART NUMBER
14.2	15.0	10.00	4P	YELLOW	5-440052-3
14.2	15.0	10.00	4P	NATURAL	5-440052-2
9.2	10.0	5.00	2P	NATURAL	5-440052-1
14.2	15.0	10.00	3P	NATURAL	4-440052-5
39.2	40.0	35.00	15P	NATURAL	1-440052-5
36.7	37.5	32.50	14P	NATURAL	1-440052-4
34.2	35.0	30.00	13P	NATURAL	1-440052-3
31.7	32.5	27.50	12P	NATURAL	1-440052-2
29.2	30.0	25.00	11P	NATURAL	1-440052-1
26.7	27.5	22.50	10P	NATURAL	1-440052-0
24.2	25.0	20.00	9P	NATURAL	440052-9
21.7	22.5	17.50	8P	NATURAL	440052-8
19.2	20.0	15.00	7P	NATURAL	440052-7
16.7	17.5	12.50	6P	NATURAL	440052-6
14.2	15.0	10.00	5P	NATURAL	440052-5
11.7	12.5	7.50	4P	NATURAL	440052-4
9.2	10.0	5.00	3P	NATURAL	440052-3
6.7	7.5	2.50	2P	NATURAL	440052-2

NOTE:

- MATERIAL : HOUSING : THERMOPLASTIC UL94V-0, COLOR: SEE TABLE. CONTACT : BRASS.
- FINISH: CONTACT : 80u" MIN. TIN PLATED ON CONTACT AREA.
- WHEN EXTRACTING RECEPTACLE HOUSING FROM HEADER, NOT WIRE BUT RECEPTACLE HOUSING SHOULD BE CRIPED IN OEDER TO AVOID THE WIRE BREAKAGE.
- PART 4-440052-5 IS PART 440052-5 WITH PIN 2 AND 4 REMOVED.

- PART 5-440052-1 IS PART 440052-3 BUT 2ND PIN REMOVED.
- PART 5-440052-2 IS PART 440052-5 BUT 4TH PIN REMOVED.
- 0% MATERIAL REGRIND PARTS
- PART 5-440052-3 IS PART 440052-5 BUT 3RD PIN REMOVED.

THIS DRAWING IS A CONTROLLED DOCUMENT.

DIMENSIONS:	TOLERANCES UNLESS OTHERWISE SPECIFIED:
mm	
	0 PLC ± 0.5
	1 PLC ± 0.3
	2 PLC ± 0.2
	3 PLC ± 0.15
	4 PLC ± -
	ANGLES ± -
MATERIAL	FINISH
-	-

DWN	O. HU	09JUN2003
CHK	A. WU	09JUN2003
APVD	J. CHENG	09JUN2003
PRODUCT SPEC	108-57099	
APPLICATION SPEC	-	
WEIGHT	-	
CUSTOMER DRAWING		



2.5 MM PITCH HPI VERTICAL POST HEADERS

SIZE	CAGE CODE	DRAWING NO	RESTRICTED TO
A3	00779	C=440052	-
SCALE	SHEET	REV	
1:1	1 of 5	C8	

THIS DRAWING IS UNPUBLISHED.

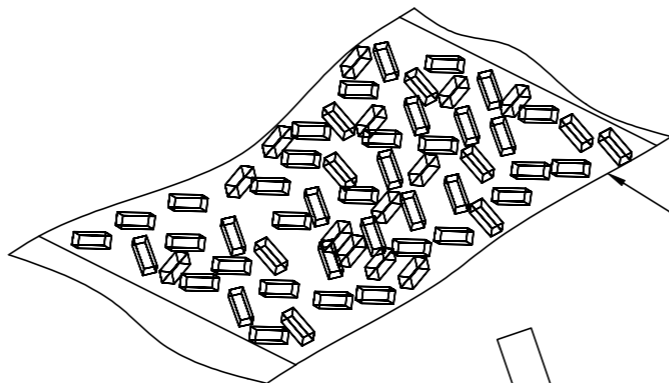
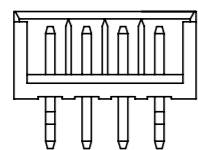
RELEASED FOR PUBLICATION

ALL RIGHTS RESERVED.

© COPYRIGHT - By -

REVISIONS

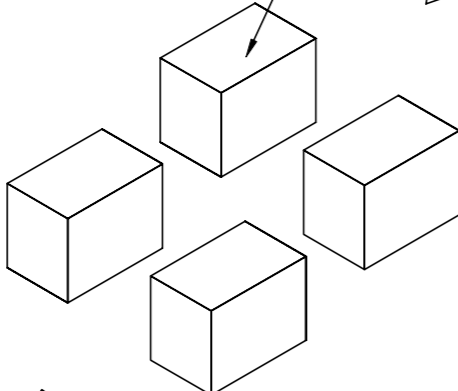
P	LTR	DESCRIPTION	DATE	DWN	APVD
-	-	SEE SHEET 1	-	-	-



POLY BAG
127mm (L) X 203mm (W) X 0.07mm (H)

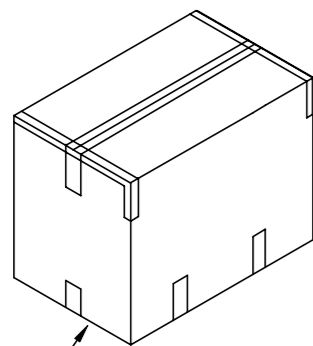
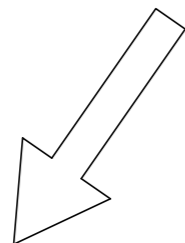
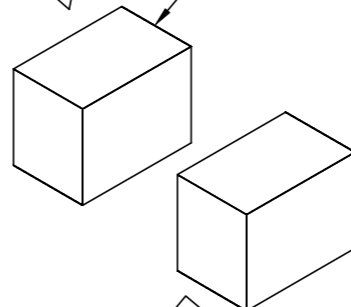


INEER BOX

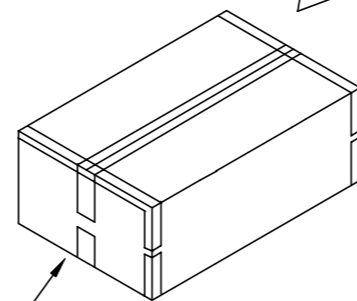


320mm (L) X 220mm (W) X 140mm (H)

INEER BOX
320mm (L) X 220mm (W) X 140mm (H)



CARTON
340mm (L) X 470mm (W) X 316mm (H)
(FOR HEADER 6P~16P ONLY)



CARTON
340mm (L) X 470mm (W) X 168mm (H)
(FOR HEADER 2P~5P ONLY)

QTY	QTY	QTY	QTY	QTY	QTY
20,000	500	4P	OBSOLETE	△	5-440052-2
20,000	500	4P	OBSOLETE	△	5-440052-2
30,000	750	2P	OBSOLETE	△	5-440052-1
20,000	500	3P	OBSOLETE	△	4-440052-5
12,960	180	15P	3-440052-5	△	1-440052-5
12,000	200	14P	3-440052-4	△	1-440052-4
14,400	200	13P	3-440052-3	△	1-440052-3
16,000	250	12P	3-440052-2	△	1-440052-2
16,000	250	11P	3-440052-1	△	1-440052-1
20,000	250	10P	3-440052-0	△	1-440052-0
21,600	300	9P	2-440052-9	△	440052-9
25,200	350	8P	2-440052-8	△	440052-8
28,000	350	7P	2-440052-7	△	440052-7
35,000	350	6P	2-440052-6	△	440052-6
20,000	500	5P	2-440052-5	△	440052-5
24,000	600	4P	2-440052-4	△	440052-4
30,000	750	3P	2-440052-3	△	440052-3
36,000	1,000	2P	2-440052-2	△	440052-2
AP (PCS CARTON)	PP (PCS BAG)	CIRCUITS	YELLOW	NATURAL	NATURAL
			HOUSING COLOR		
			PART NUMBER		

THIS DRAWING IS A CONTROLLED DOCUMENT.

DWN	O. HU	09JUN2003	 TE Connectivity	NAME 2.5 MM PITCH HPI VERTICAL POST HEADERS
CHK	A. WU	09JUN2003		
APVD	J. CHENG	09JUN2003		
DIMENSIONS: mm			PRODUCT SPEC	108-57099
TOLERANCES UNLESS OTHERWISE SPECIFIED:			APPLICATION SPEC	-
0 PLC ± - 1 PLC ± - 2 PLC ± - 3 PLC ± - 4 PLC ± - ANGLES ± -			WEIGHT	0.000000
MATERIAL			FINISH	-
			SIZE	A3
			CAGE CODE	00779
			DRAWING NO	C=440052
			RESTRICTED TO	-
CUSTOMER DRAWING			SCALE	1:1
			SHEET	2 of 5
			REV	C8

4

3

2

1

THIS DRAWING IS UNPUBLISHED.

RELEASED FOR PUBLICATION


-- --

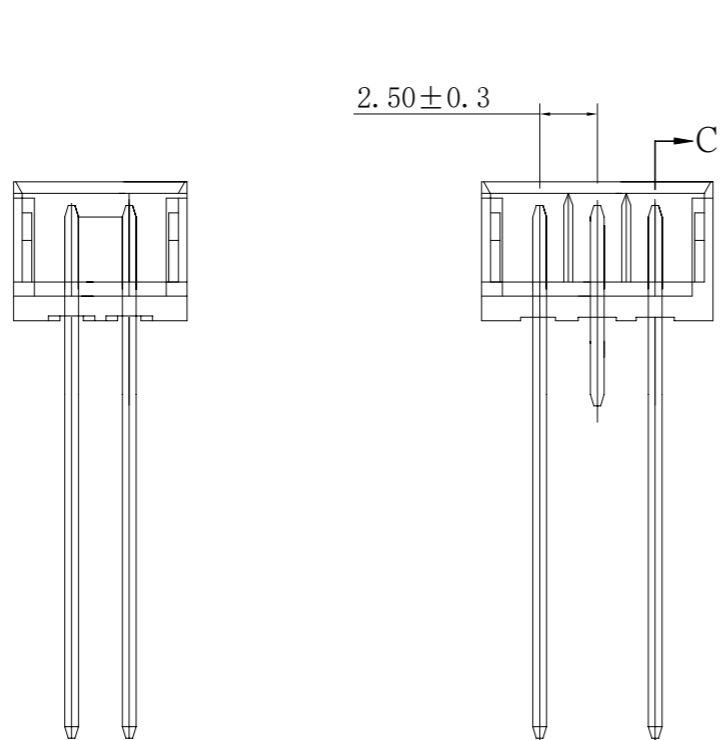
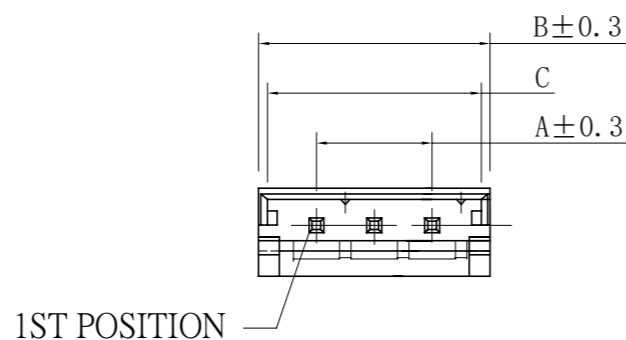
REVISIONS

© COPYRIGHT - By -

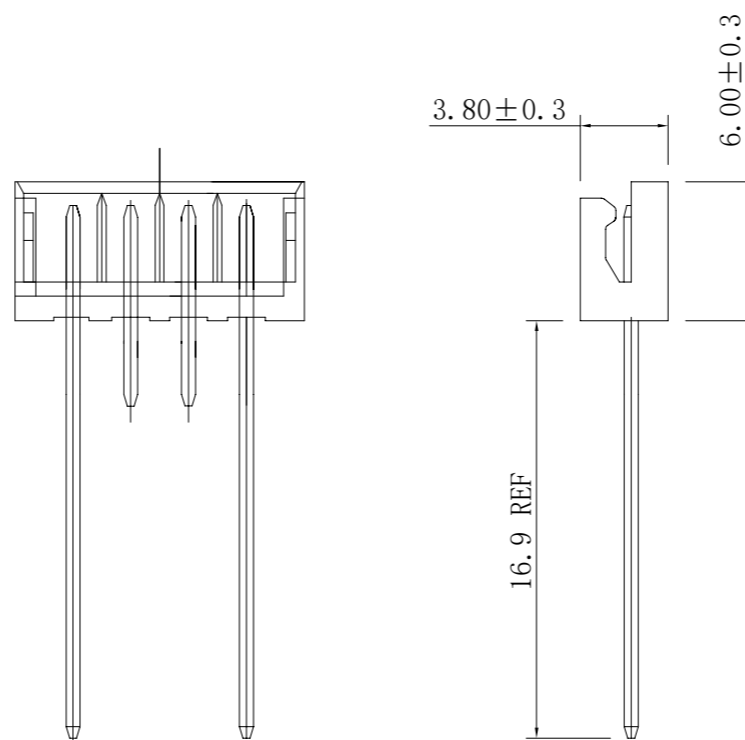
ALL RIGHTS RESERVED.

P	LTR	DESCRIPTION	DATE	DWN	APVD
-	-	SEE SHEET 1	-	-	-

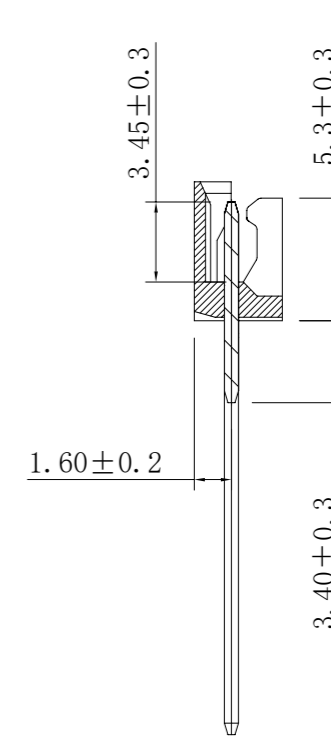
					
11.7	12.5	7.50	4P	8-440052-4	4-440052-4
9.2	10.0	5.00	3P	8-440052-3	4-440052-3
6.7	7.5	2.50	2P	8-440052-2	4-440052-2
C	B	A	POS	P/N	P/N



2POS




4POS



SECTION:C-C

NOTE:

- MATERIAL :
HOUSING : THERMOPLASTIC UL94V-0,
COLOR: NATURAL.
CONTACT : BRASS.
- FINISH:
CONTACT : 80u" MIN. TIN PLATED ON CONTACT AREA.
- WHEN EXTRACTING RECEPTACLE HOUSING FROM HEADER,
NOT WIRE BUT RECEPTACLE HOUSING SHOULD BE
CRIPED IN OEDER TO AVOID THE WIRE BREAKAGE.

THIS DRAWING IS A CONTROLLED DOCUMENT.		DWN O. HU 09JUN2003	 TE Connectivity															
		CHK A. WU 09JUN2003																
DIMENSIONS: mm		APVD J. CHENG 09JUN2003	NAME															
TOLERANCES UNLESS OTHERWISE SPECIFIED:		PRODUCT SPEC 108-57099	2.5 MM PITCH HPI VERTICAL POST HEADERS															
<table border="0"> <tr><td>0 PLC</td><td>± 0.5</td></tr> <tr><td>1 PLC</td><td>± 0.3</td></tr> <tr><td>2 PLC</td><td>± 0.2</td></tr> <tr><td>3 PLC</td><td>± 0.15</td></tr> <tr><td>4 PLC</td><td>± -</td></tr> <tr><td>ANGLES</td><td>± -</td></tr> </table>		0 PLC	± 0.5	1 PLC	± 0.3	2 PLC	± 0.2	3 PLC	± 0.15	4 PLC	± -	ANGLES	± -	APPLICATION SPEC -	SIZE	CAGE CODE	DRAWING NO	RESTRICTED TO
0 PLC	± 0.5																	
1 PLC	± 0.3																	
2 PLC	± 0.2																	
3 PLC	± 0.15																	
4 PLC	± -																	
ANGLES	± -																	
MATERIAL -		FINISH -	WEIGHT 0.000000	A3	00779	C=440052	-											
		CUSTOMER DRAWING	SCALE 1:1	SHEET 3 of 5	REV C8													

THIS DRAWING IS UNPUBLISHED.

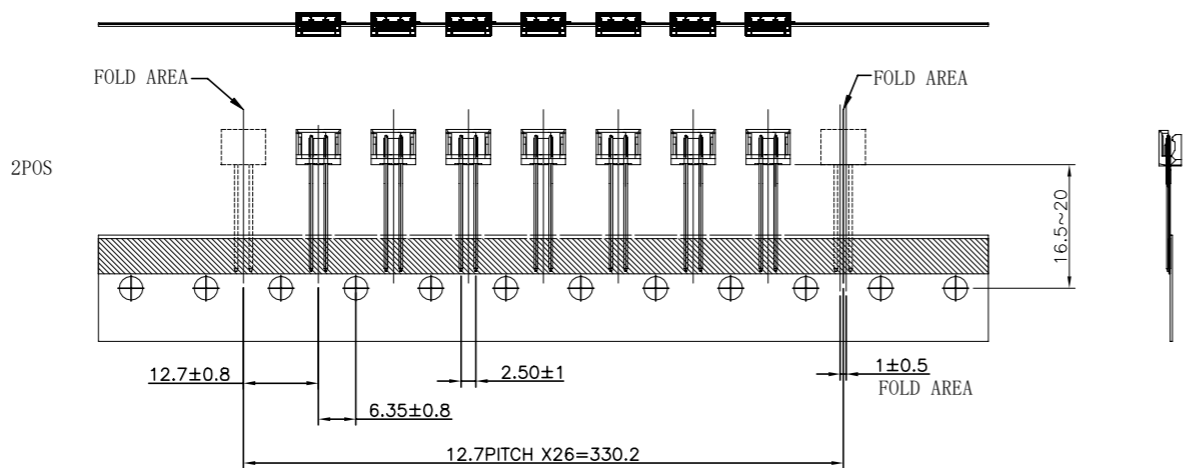
RELEASED FOR PUBLICATION

ALL RIGHTS RESERVED.

© COPYRIGHT - By -

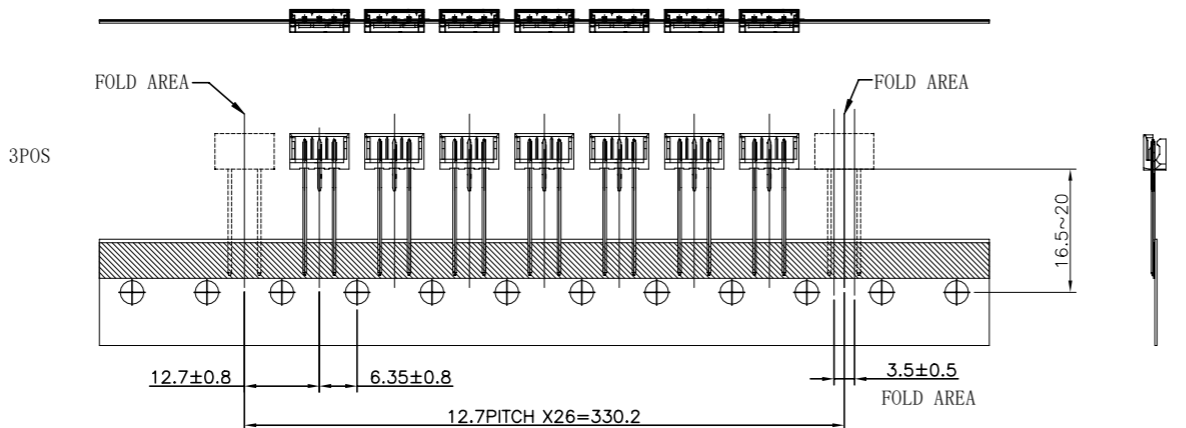
REVISIONS

P	LTR	DESCRIPTION	DATE	DWN	APVD
-	-	SEE SHEET 1	-	-	-

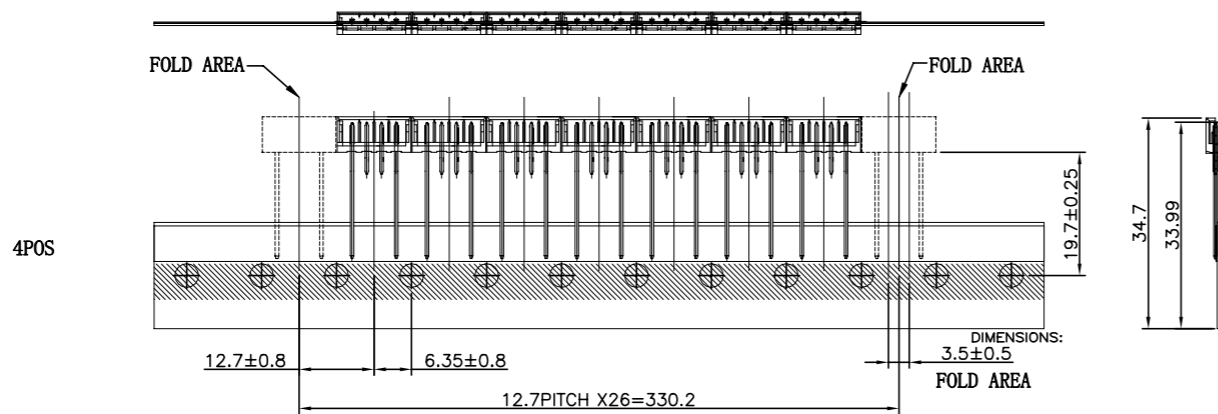


NOTES:

- 1. BRAID: 12.7PITCH*26=330.2
- 2. CATON; 342*310*42mm
- 3. QUANTITY: 2POS--1500pcs/box
3POS--1500pcs/box
4POS--720pcs/box



4P	8-440052-4	4-440052-4
3P	8-440052-3	4-440052-3
2P	8-440052-2	4-440052-2
POS	P/N	P/N



THIS DRAWING IS A CONTROLLED DOCUMENT.

DWN	O. HU	09JUN2003
CHK	A. WU	09JUN2003
APVD	J. CHENG	09JUN2003



DIMENSIONS:	TOLERANCES UNLESS OTHERWISE SPECIFIED:
mm	
0 PLC	± -
1 PLC	± -
2 PLC	± -
3 PLC	± -
4 PLC	± -
ANGLES	± -

PRODUCT SPEC	108-57099
APPLICATION SPEC	-

NAME
2.5 MM PITCH HPI VERTICAL POST HEADERS

MATERIAL	FINISH
-	-

WEIGHT	0.000000
CUSTOMER DRAWING	

SIZE	CAGE CODE	DRAWING NO	RESTRICTED TO
A3	00779	C=440052	-
SCALE	1:1	SHEET	4 of 5
REV	C8		

THIS DRAWING IS UNPUBLISHED.

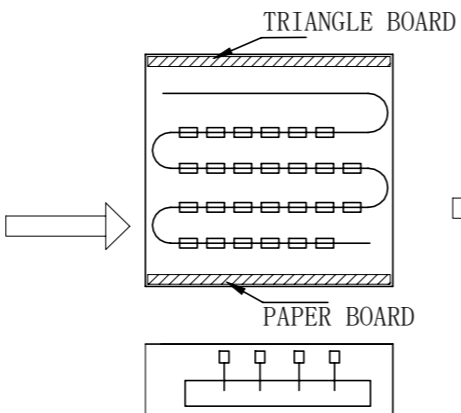
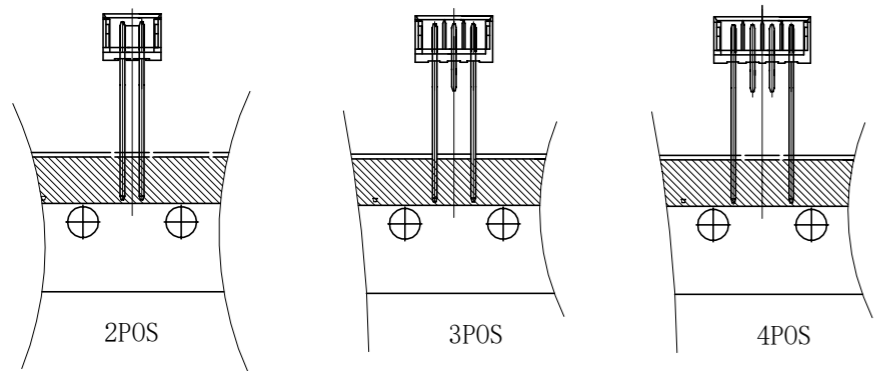
RELEASED FOR PUBLICATION

ALL RIGHTS RESERVED.

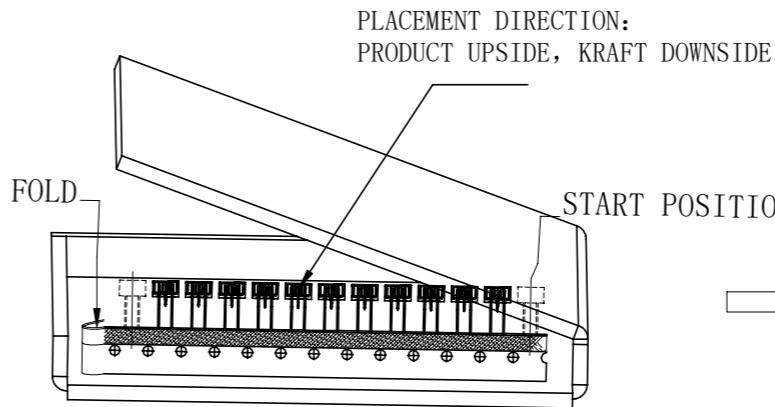
© COPYRIGHT - By -

REVISIONS

P	LTR	DESCRIPTION	DATE	DWN	APVD
-	-	SEE SHEET 1	-	-	-



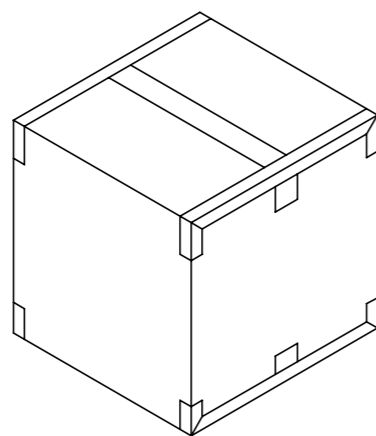
1、SPONGE:12.7PITCH*26=330.2



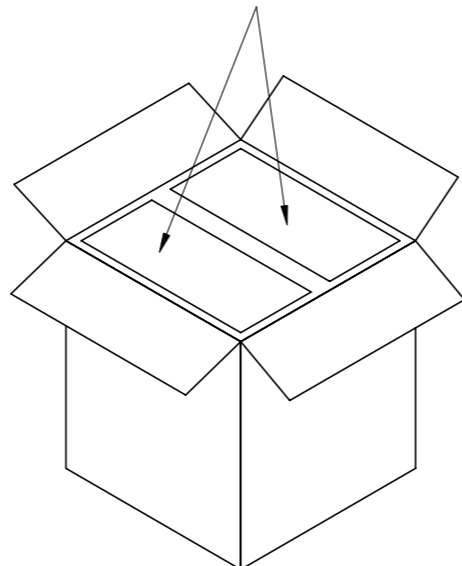
1、QUANTITY;2POS--1500pcs/BOX
 3POS--1500pcs/BOX
 4POS--720pcs/BOX

LABEL LOCATION AREA

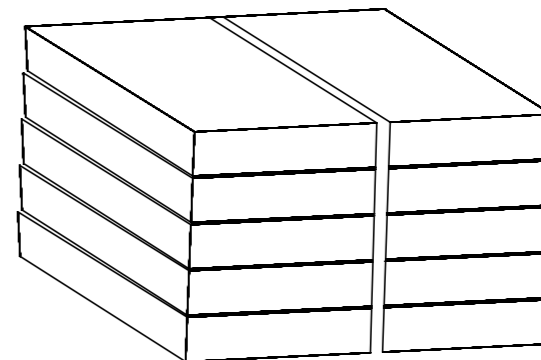
TOTAL 2 COLUMNS



QUANTITY:
 2POS&3POS:1500x10=15000PCS
 4POS:720x10=7200PCS



DIM: 600*370*240



1 COLUMN

	△	
	P/N	P/N
4P	8-440052-4	4-440052-4
3P	8-440052-3	4-440052-3
2P	8-440052-2	4-440052-2

THIS DRAWING IS A CONTROLLED DOCUMENT.		DWN O. HU 09JUN2003	STE TE Connectivity	
DIMENSIONS: mm		CHK A. WU 09JUN2003		
TOLERANCES UNLESS OTHERWISE SPECIFIED:		APVD J. CHENG 09JUN2003	NAME	
0 PLC ± -		PRODUCT SPEC		2.5 MM PITCH HPI VERTICAL POST HEADERS
1 PLC ± -		APPLICATION SPEC		
2 PLC ± -		108-57099		RESTRICTED TO
3 PLC ± -		WEIGHT 0.000000		
4 PLC ± -		A3 00779 C=440052		
ANGLES ± -		CUSTOMER DRAWING		SCALE 1:1
FINISH		SHEET 5 of 5		REV C8