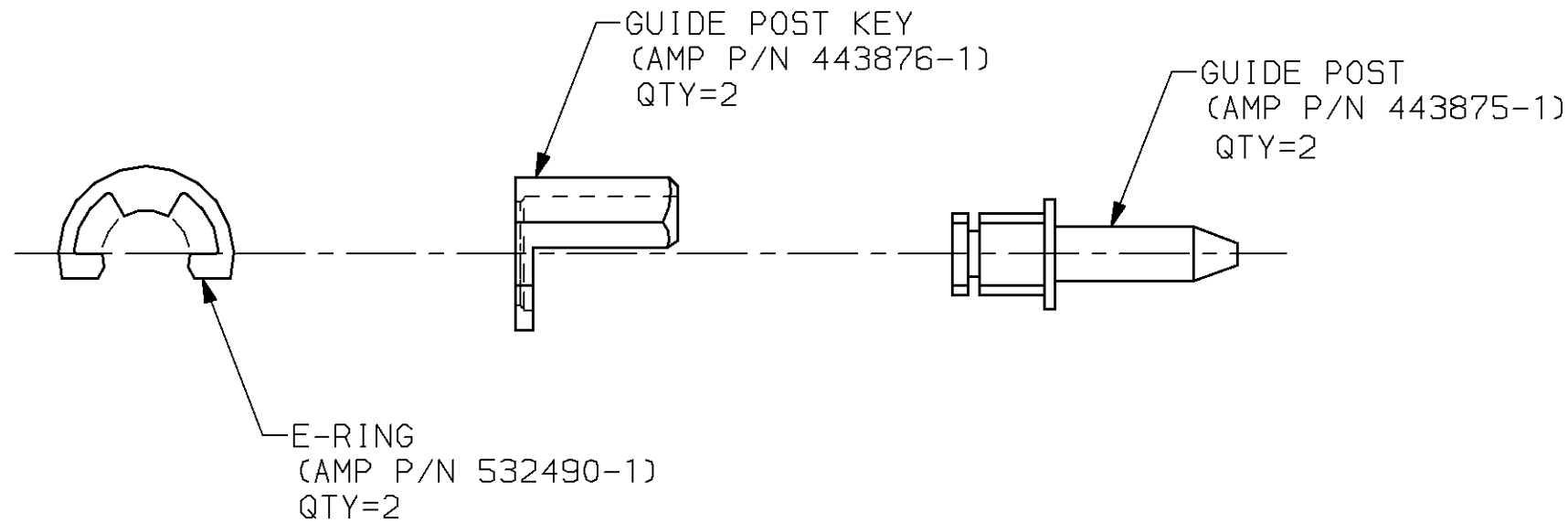


THIS DRAWING IS UNPUBLISHED. RELEASED FOR PUBLICATION, 19 .
 © COPYRIGHT 19 BY AMP INCORPORATED. ALL INTERNATIONAL RIGHTS RESERVED.

LOC	DIST	P	F	ZONE	LTR	REVISIONS	DATE	APPD
DF	F0				0	RLSE; 0600-5793-96 CT	8-96	DG

1. KITS TO BE PACKAGED UNASSEMBLED
 IN PLASTIC BAG



443873-1
 PART NO.

DO NOT SCALE PRINT. UNLESS SPECIFIED DIMENSIONS IN INCHES [mm] TOLERANCES ON: 2 PLC DEC ± - 3 PLC DEC ± - ANGLES ± -	DR 8-26-96 C.C. THOMAS	AMP AMP Incorporated Harrisburg, PA 17105-3608
	CHK 8-27-96 D. GUTTER	
	APPD 8-27-96 D. GUTTER	
	RLSE 8-27-96 C.C. THOMAS	
MATERIAL STAINLESS STEEL PER ASTM-A-582	PRODUCT SPEC -	NAME KEYED GUIDE POST KIT MINI-BOX, PIN HEADER SIDE
FINISH PASSIVATED PER QQ-P-35	APPLICATION SPEC -	SIZE B CAGE CODE 00779 DRAWING NO 443873
	WEIGHT -	SCALE 5:1 SHEET 1 OF 1