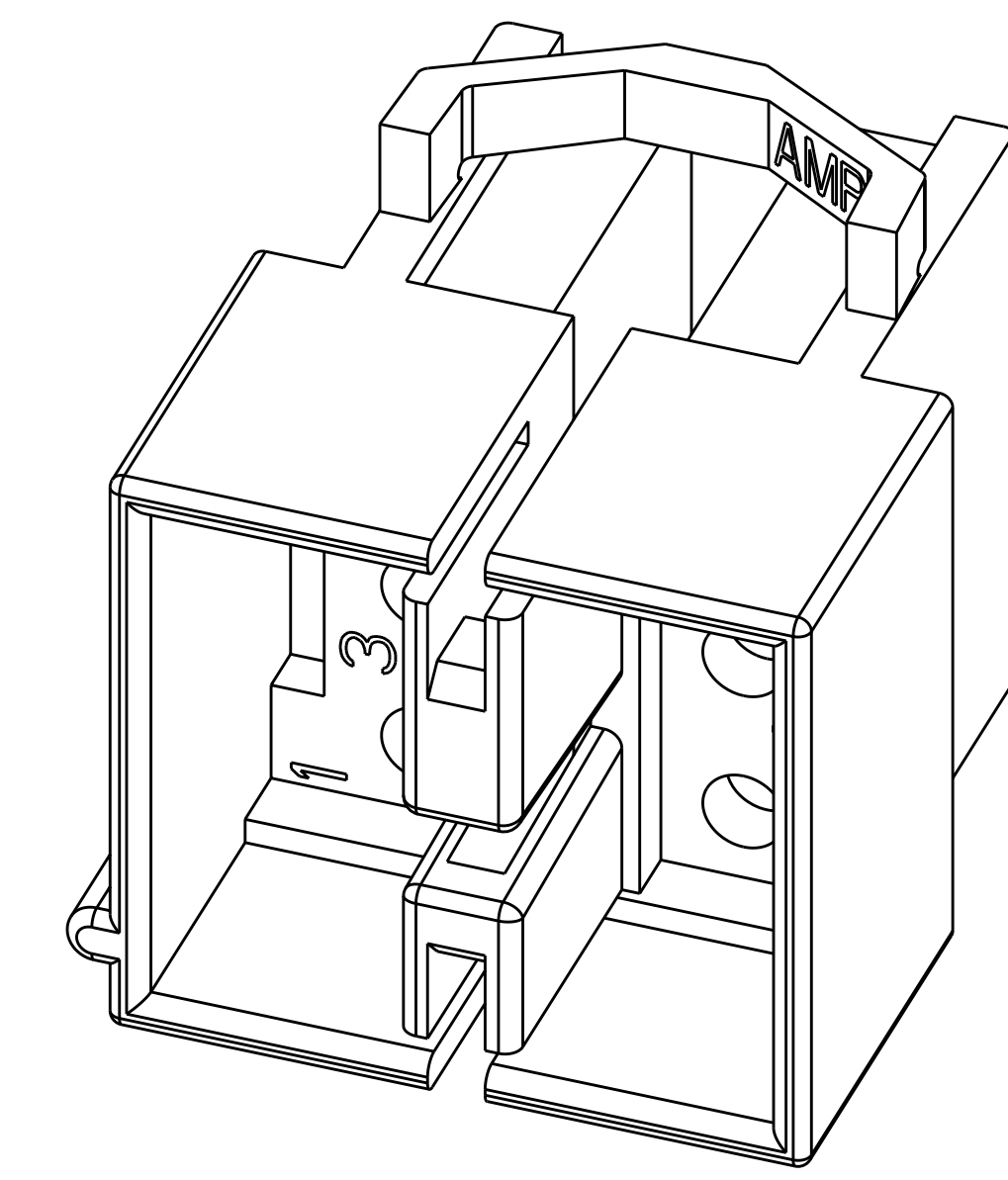
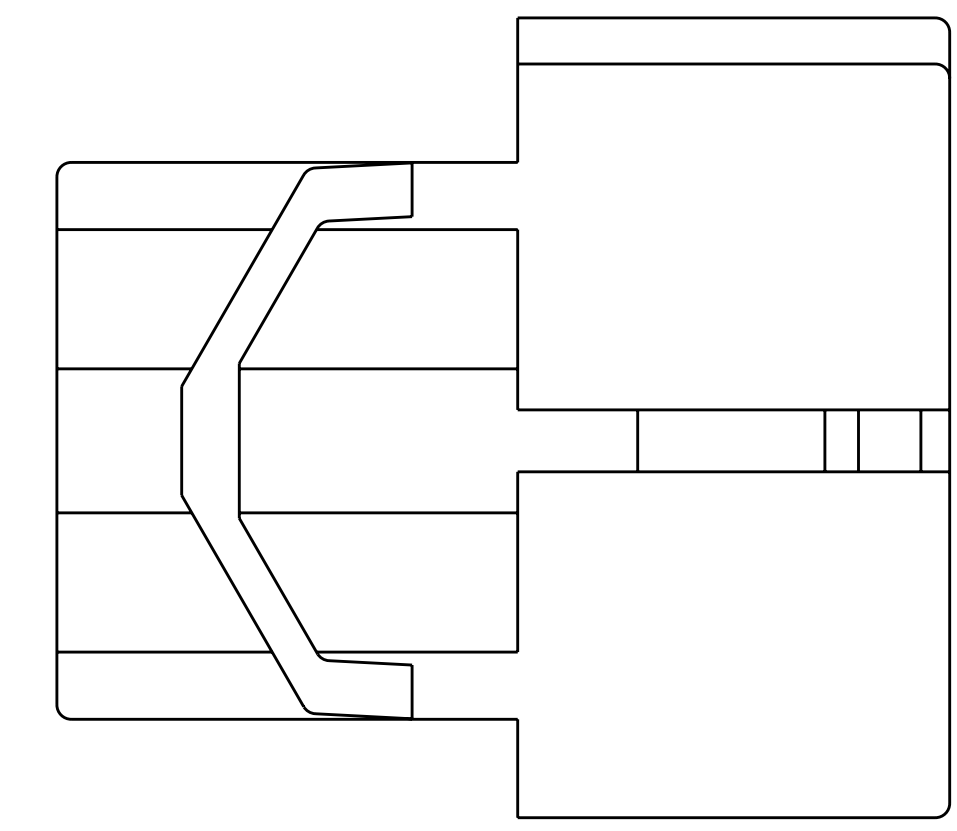
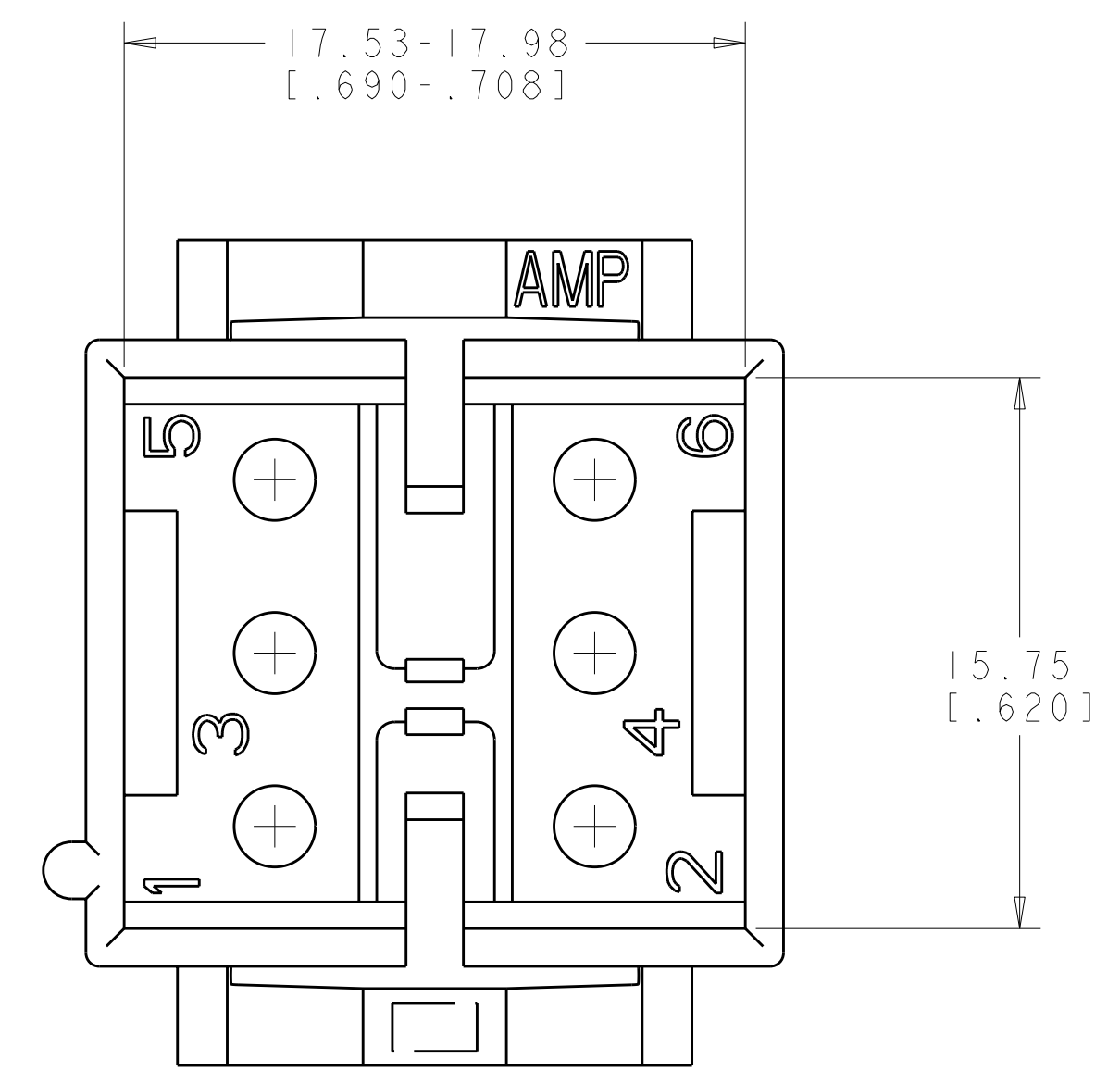
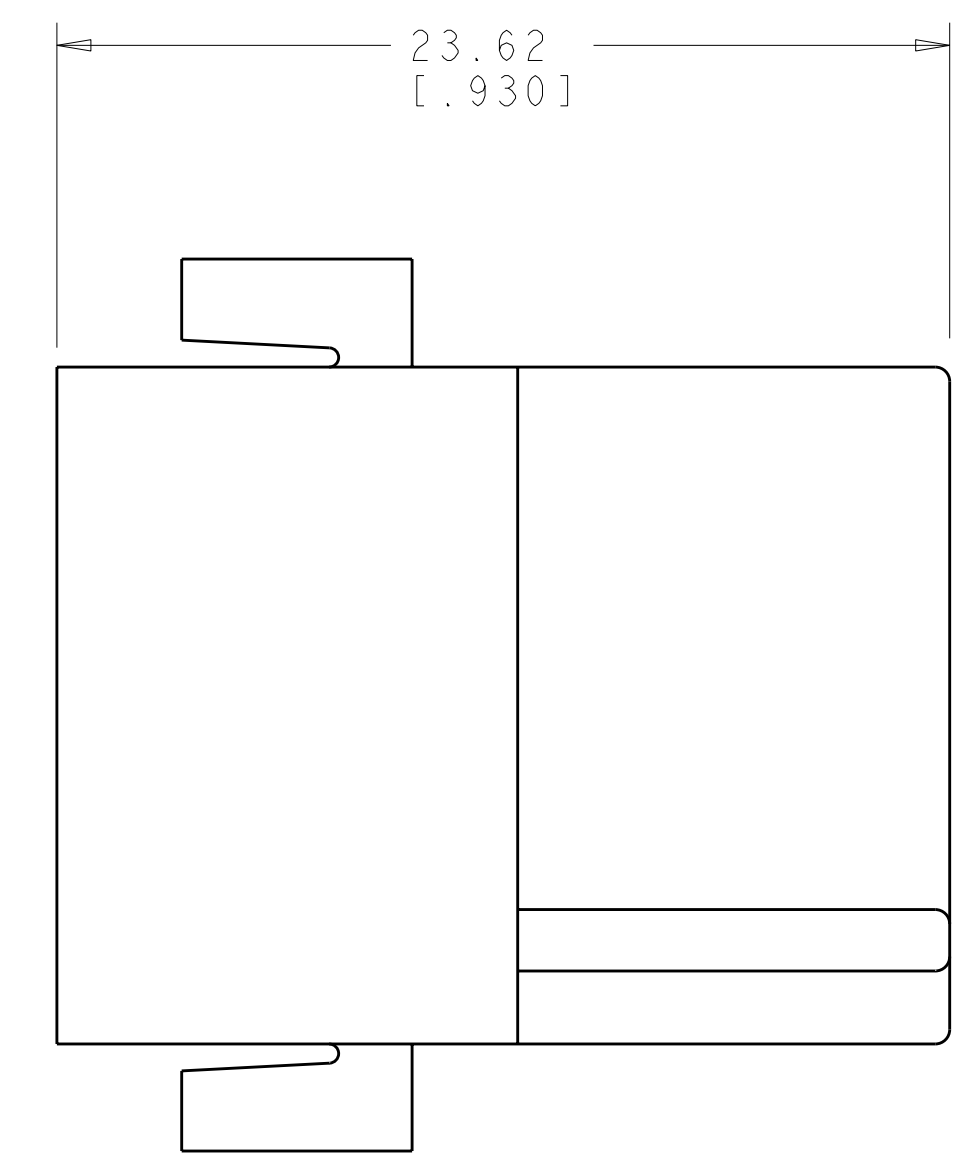
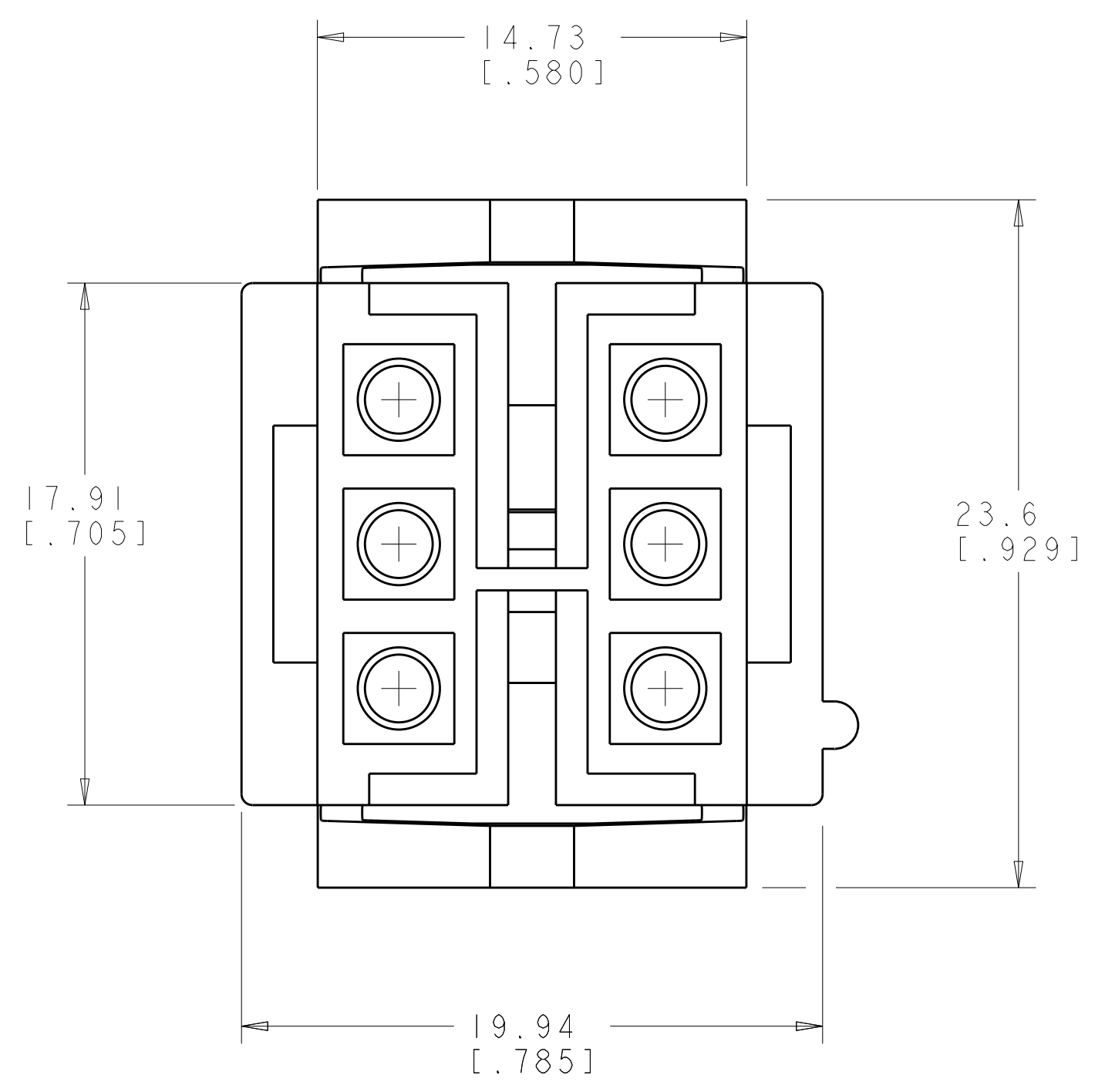


| LOC | DIST | REVISIONS | | | |
|-----|------|-----------|-----------|----|------|
| CM | 00 | REV | DATE | BY | CHKD |
| | | J1 | 11MAR2011 | RK | HMR |
| | | | | | |
| | | | | | |

1. THIS CAP IS TO BE USED WITH PLUG 480270.
2. TO BE USED WITH APPROPRIATE COMMERCIAL MATE-N-LOK™ PINS.



| | |
|-----------------------|-------------|
| 0.184 IN ³ | 1-480340-0 |
| VOLUME | PART NUMBER |

METRIC

| | | | |
|--|---------------|----------------------------|---|
| THIS DRAWING IS A CONTROLLED DOCUMENT. | | DWN: R. WHITAKER 01NOV2007 | NAME: CAP, 6 CIRCUIT, FREE HANGING, COMMERCIAL MATE-N-LOK(TM) |
| DIMENSIONS: mm [INCHES] | | CHK: C. CASH 01NOV2007 | |
| TOLERANCES UNLESS OTHERWISE SPECIFIED: | | APVD: C. CASH 01NOV2007 | PRODUCT SPEC: |
| 9 PLC | ± | | APPLICATION SPEC: |
| 3 PLC | ±0.13 (1.005) | | SIZE: A100779 C=480340 |
| 5 PLC | ± | | RESTRICTED TO: |
| 4 PLC | ± | | SCALE: 5:1 SHEET 1 OF 1 REV J1 |
| ANGLES | ± | | |
| FINISH | ±0°30' | | |
| MATERIAL: NYLON, U 94V-2, NATURAL | | | |
| CUSTOMER DRAWING | | | |