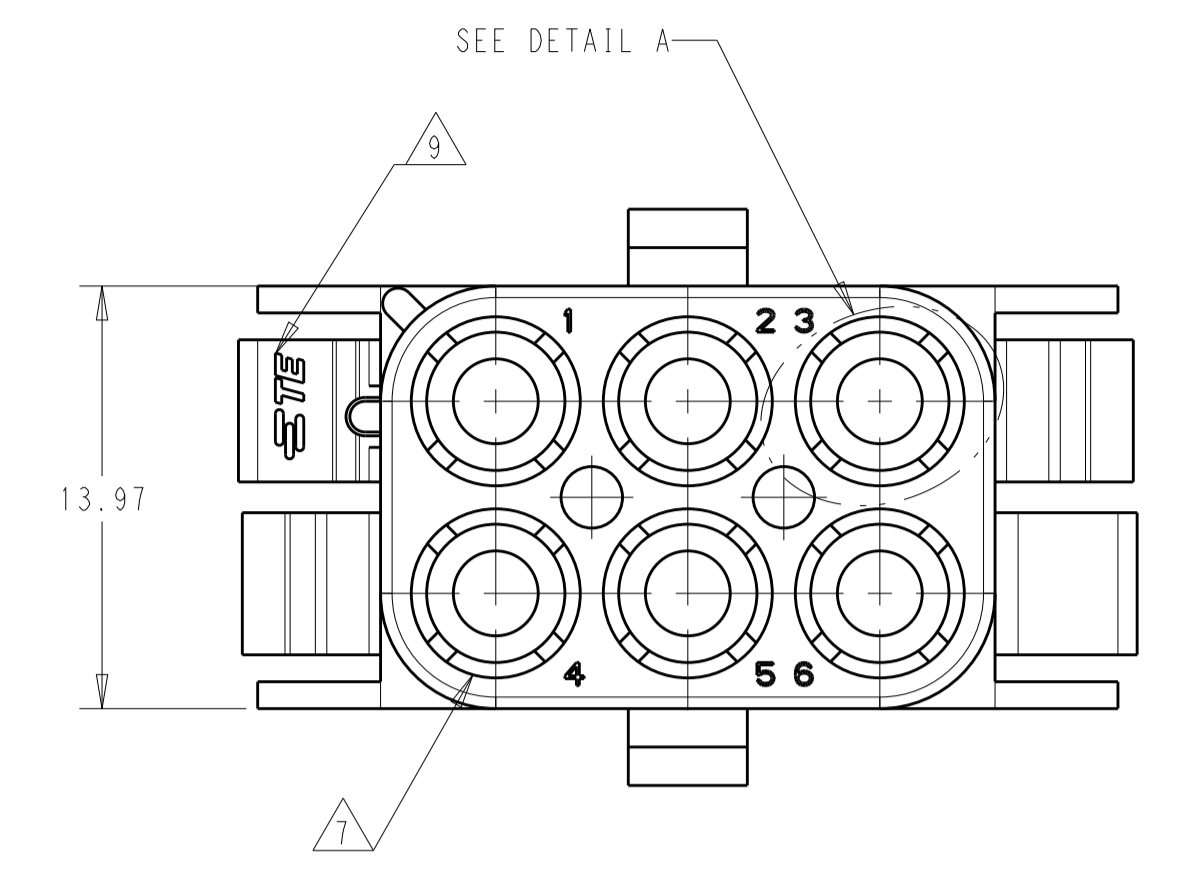
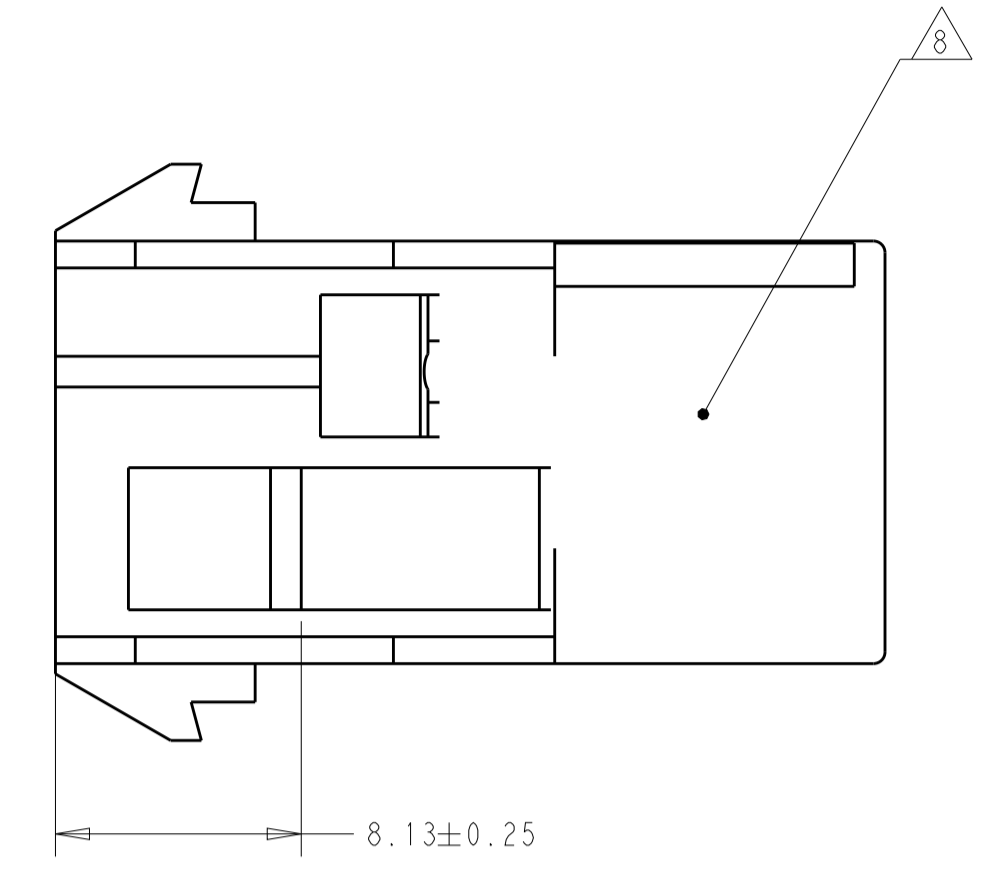
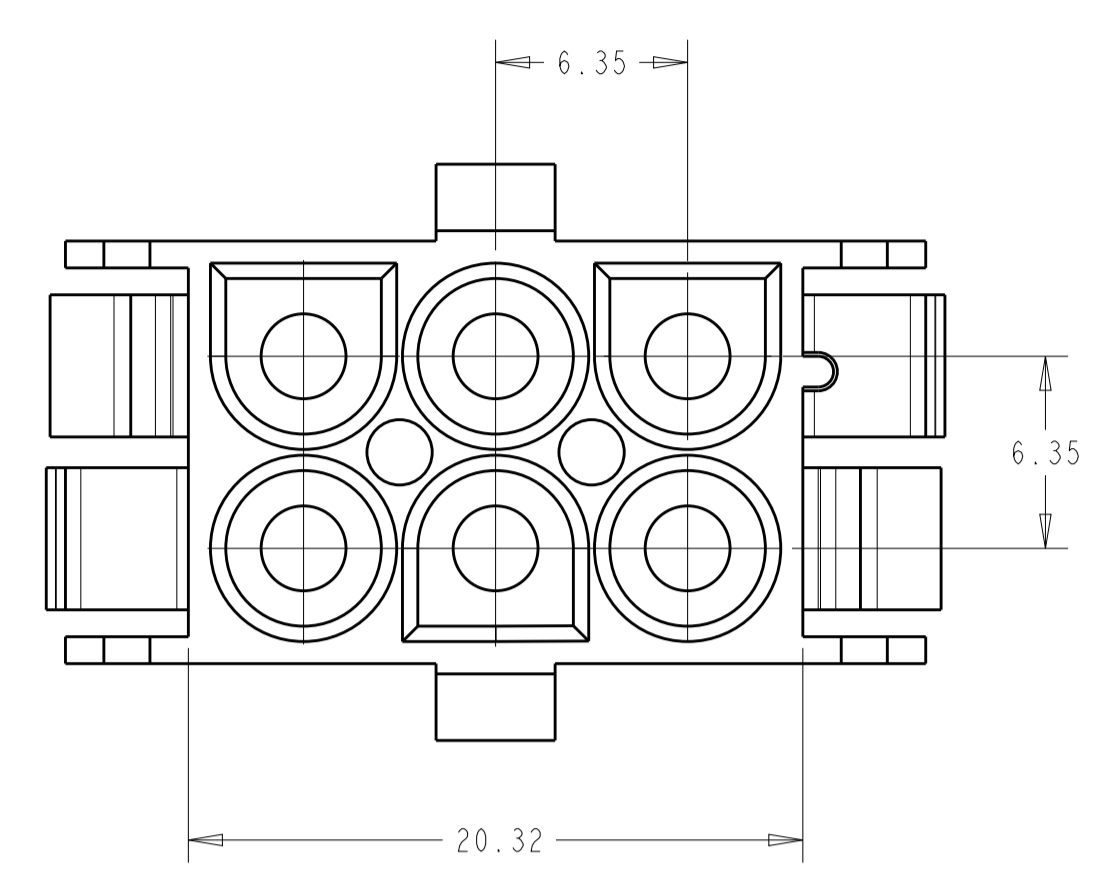
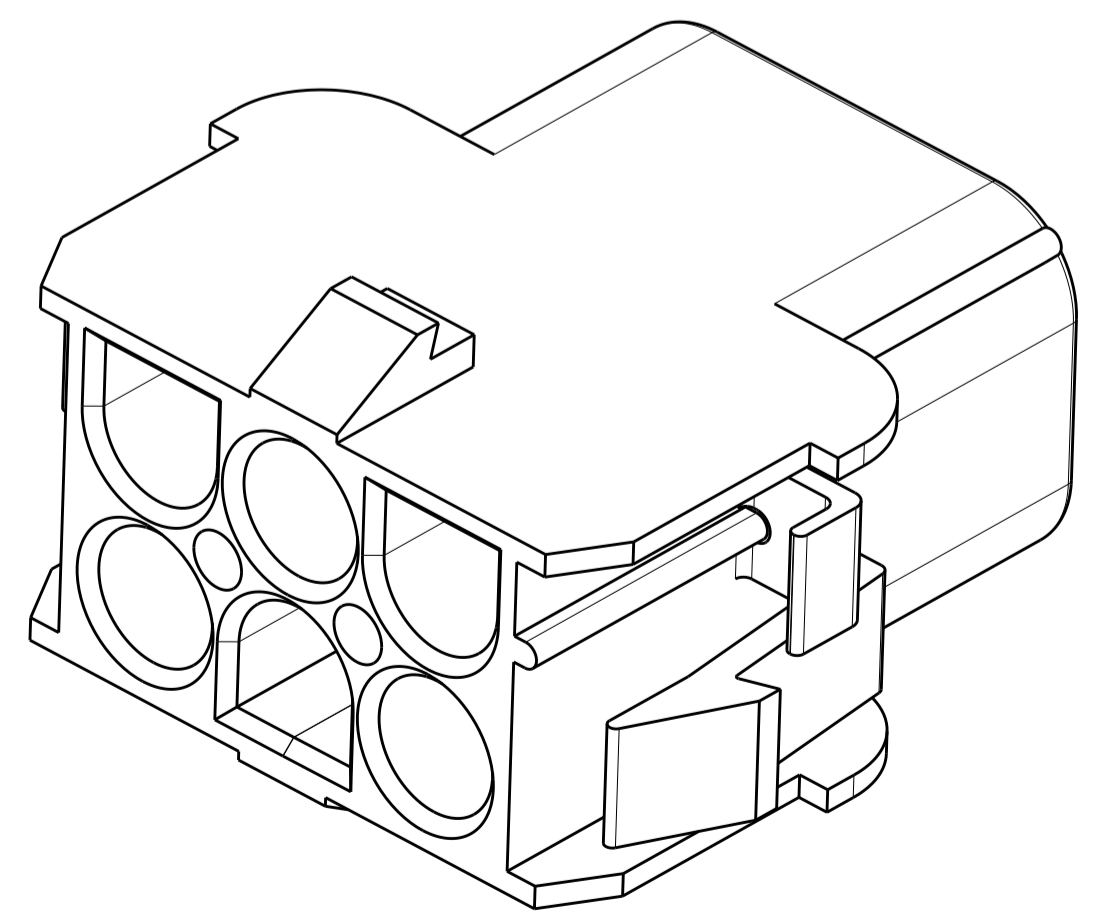
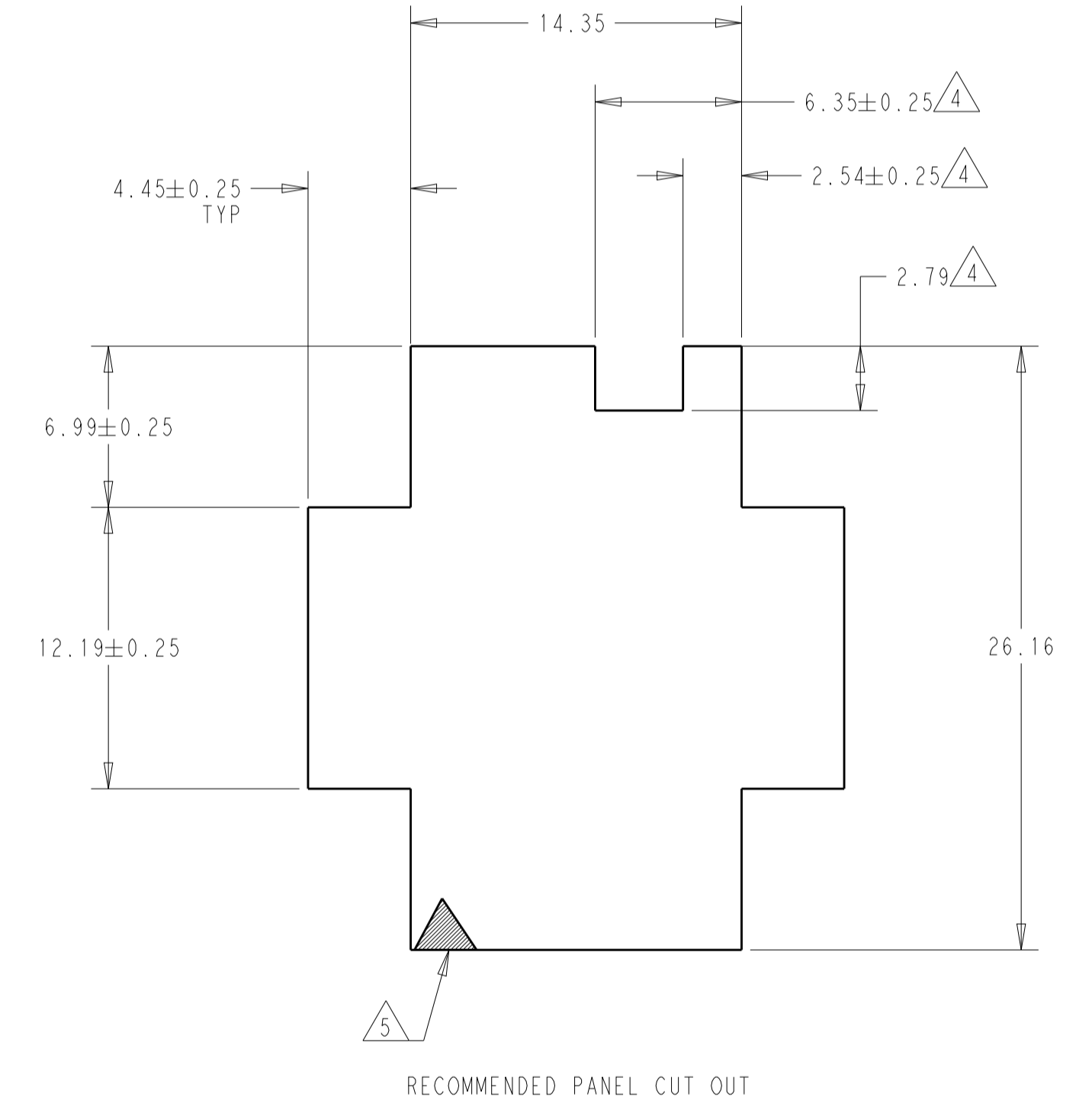
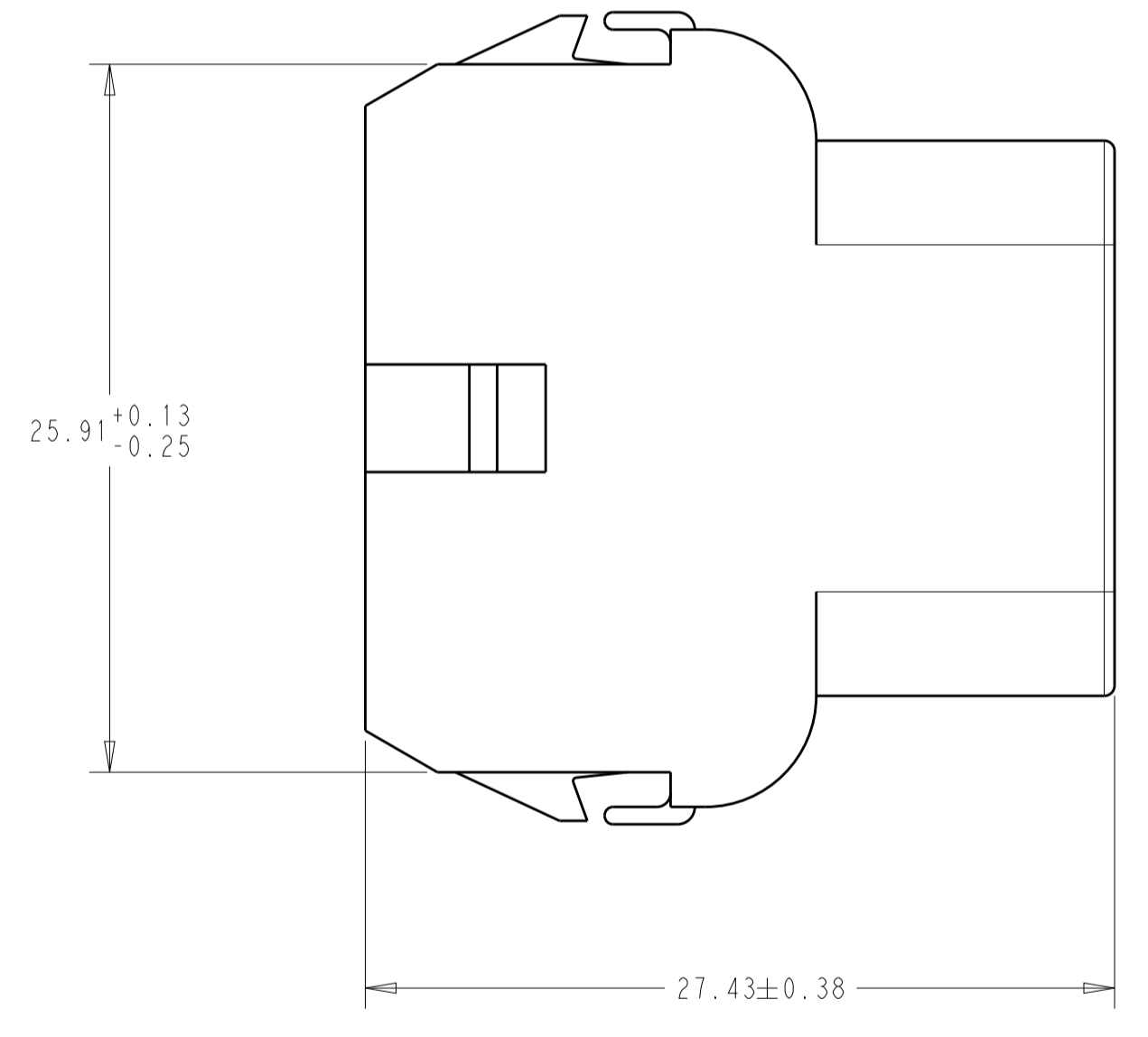
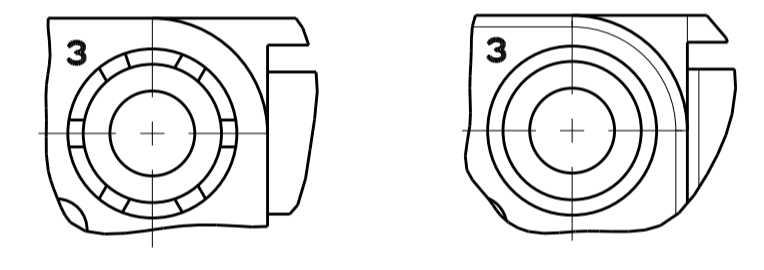


REVISIONS				
P	LTN	DESCRIPTION	DATE	APVD
AP5		REDRAWN PER ECO-19-005708	03MAY2019	BKW SF



1. MATES WITH APPROPRIATE UNIVERSAL MATE-N-LOCK™ PLUG
2. RECOMMENDED PANEL THICKNESS 0.76 - 2.29.
3. PANEL MUST BE PUNCHED SO THAT THE HOUSING ENTERS THE PANEL IN THE SAME DIRECTION AS THE PUNCH.
4. OPTIONAL FOR KEYING HOUSING IN PANEL.
5. CIRCUIT NUMBER 1 LOCATION.
6. DIMENSIONS SHOWN REPRESENT PRODUCT IN DRY, AS MOLDED, CONDITION. ADDITIONAL 2% GROWTH DUE TO SUBSEQUENT MOISTURE ABSORPTION MAY OCCUR AND SHOULD BE ACCOUNTED FOR.
7. FOUR RIBS EQUALLY SPACED, NO SPECIFIC ORIENTATION. NO RIBS OR SIX RIBS EQUALLY SPACED, NO SPECIFIC ORIENTATION, OPTIONAL.
8. UNDERWRITERS RECOGNIZED COMPONENT LOGO AND CSA CERTIFICATION LOGO TO BE LOCATED ONCE EACH ON SIDE OF HOUSING.
9. TRADEMARK LOCATION: AMP OR TE



	BLACK	1-480705-9
9	OBsolete	GRAY 1-480705-8
9	OBsolete	BLUE 1-480705-6
9	OBsolete	GREEN 1-480705-5
	YELLOW	1-480705-4
9	OBsolete	ORANGE 1-480705-3
	RED	1-480705-2
	BROWN	1-480705-1
	NATURAL	1-480705-0
	COLOR	PART NUMBER

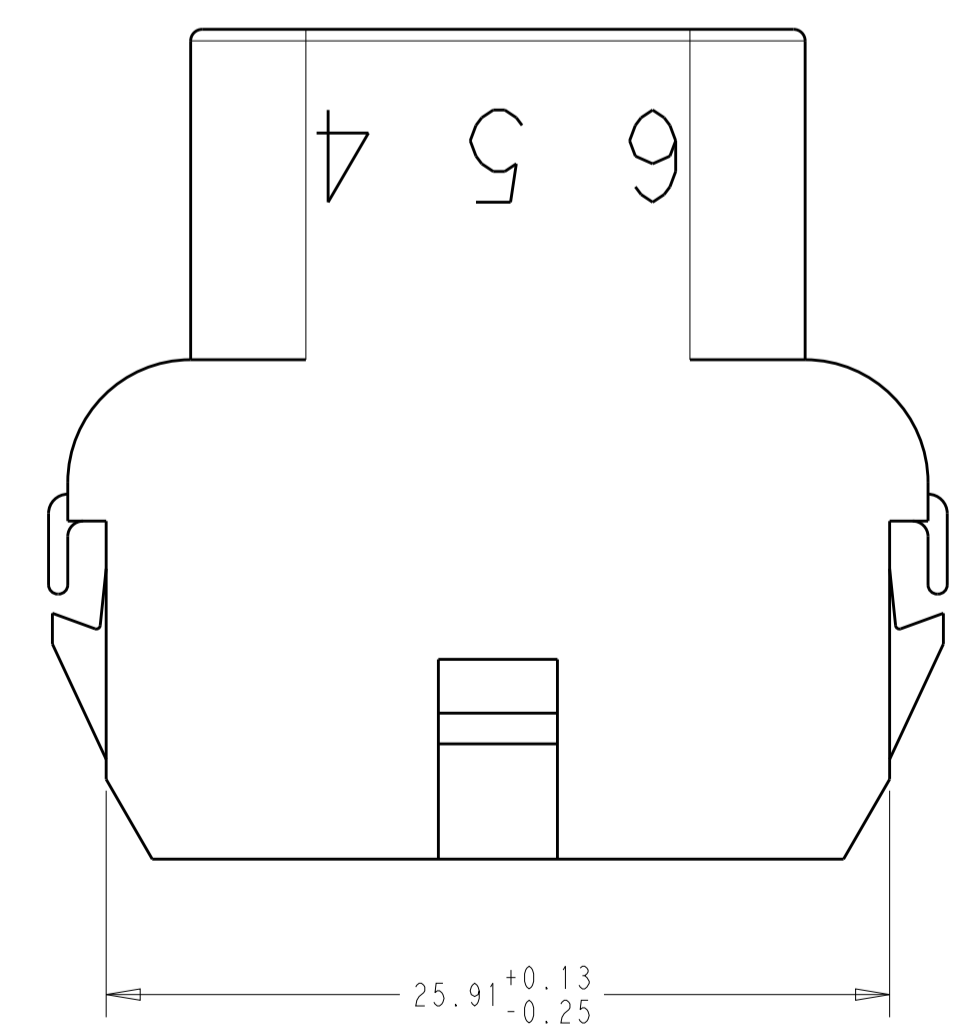
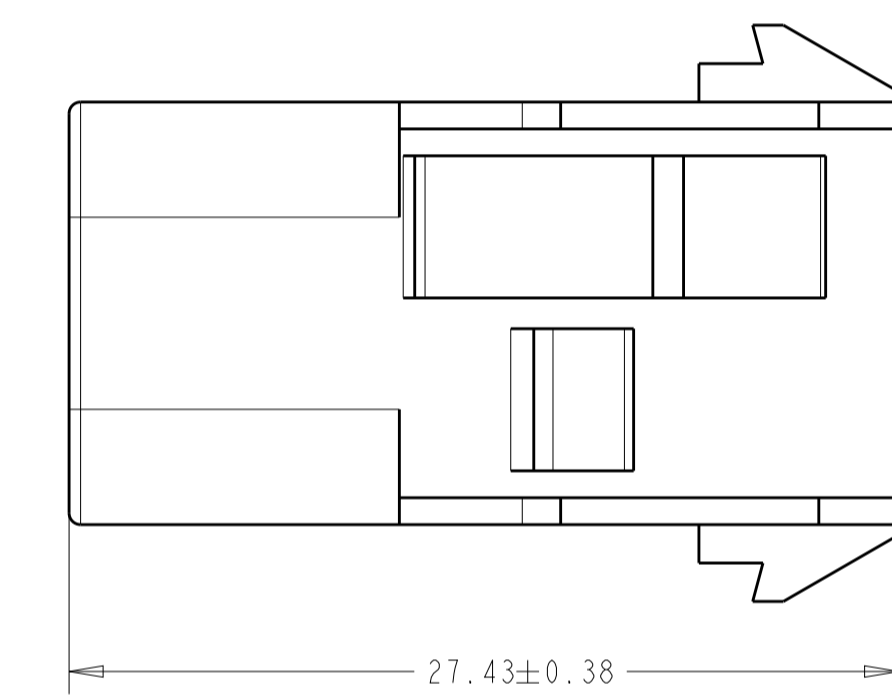
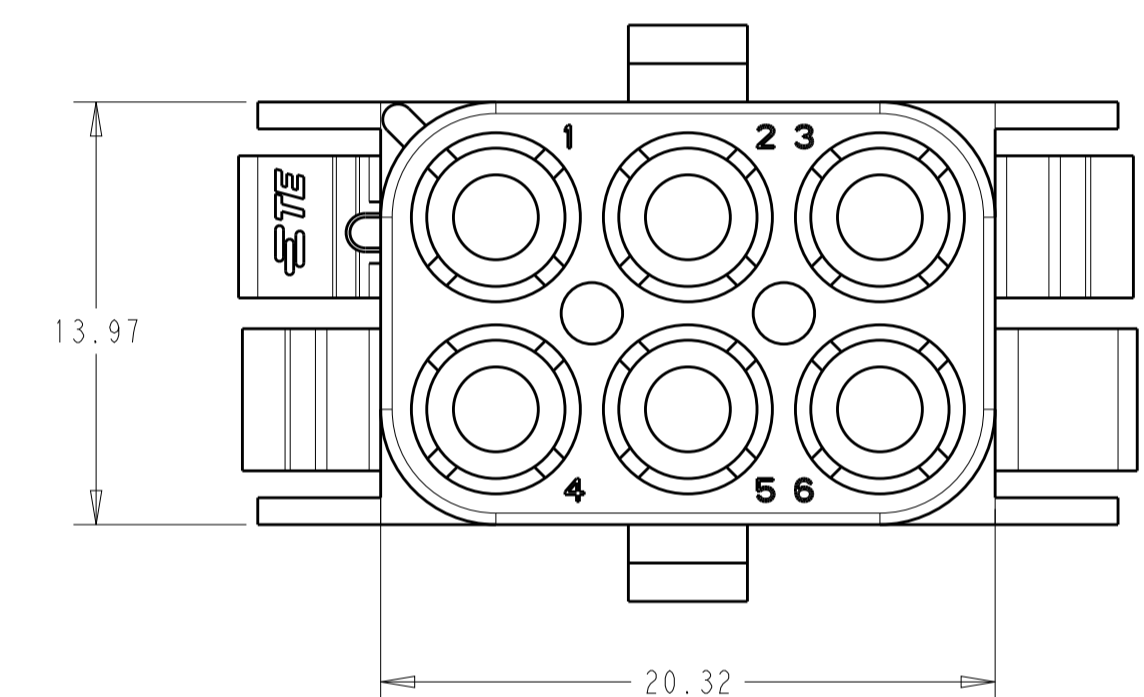
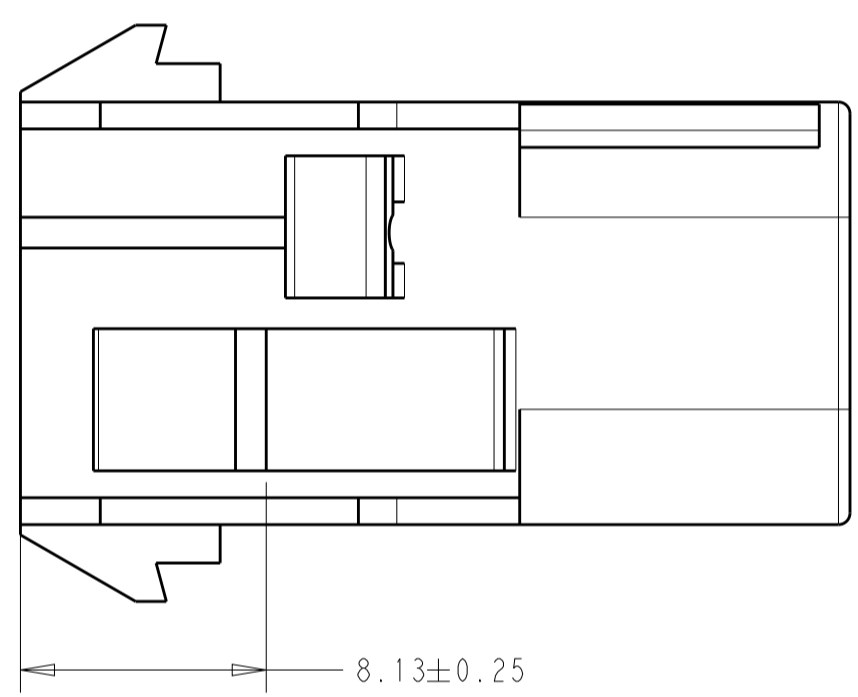
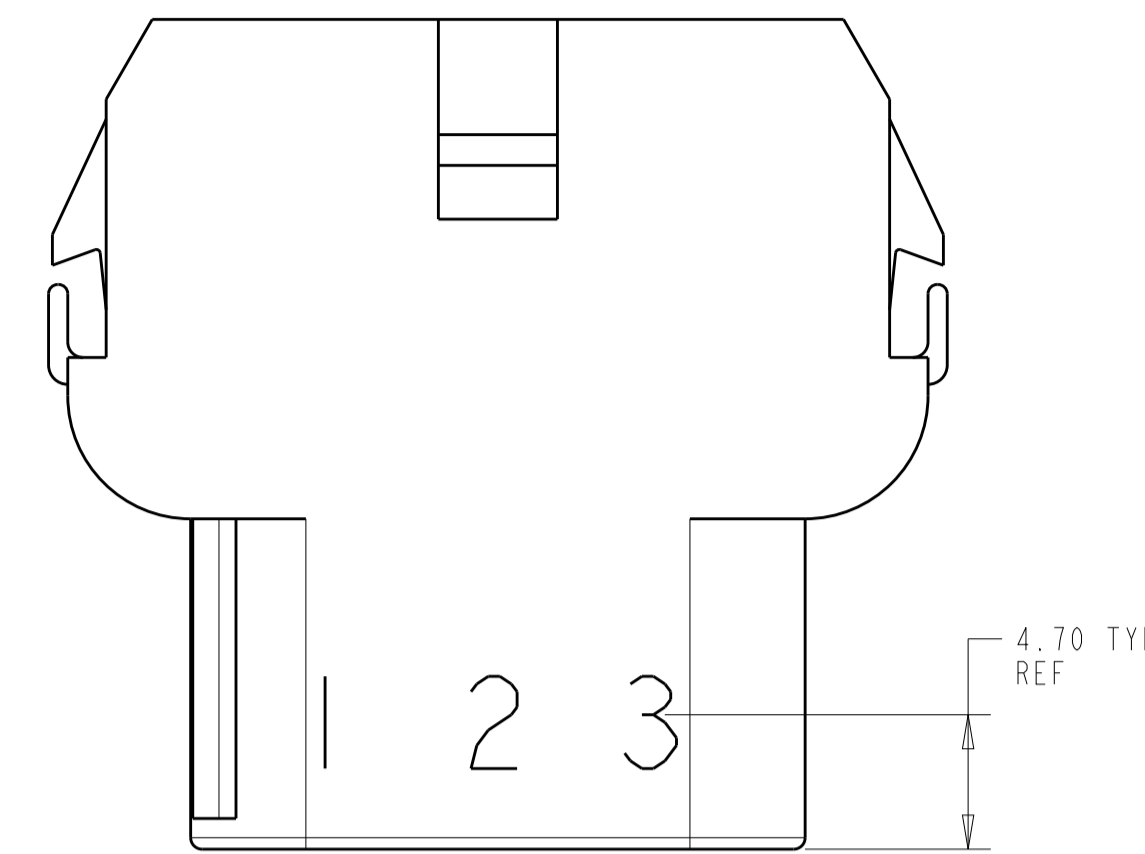
THIS DRAWING IS A CONTROLLED DOCUMENT.

DIMENSIONS:	TOLERANCES UNLESS OTHERWISE SPECIFIED:	DWG: B. WEAVER 03MAY2019	CHK: S. FERNANDES 03MAY2019	APVD: T. BENCHOFF 03MAY2019	NAME: CAP, 6 CIRCUIT, UNIVERSAL MATE-N-LOCK
mm	0 PLC ±	PRODUCT SPEC	APPLICATION SPEC	SIZE: A	CAGE CODE: 00779
	1 PLC ±0.13	WEIGHT	CUSTOMER DRAWING	SCALE: 4:1	SHEET 1 OF 2
	2 PLC ±	FINISH		REV: AP5	
	3 PLC ±				
	4 PLC ±				
	ANGLES ±0.30°				
MATERIAL: NYLON UL 94V-2					

TE Connectivity

REVISIONS				
P.	LTN	DESCRIPTION	DATE	APVD
-	-	SEE SHEET 1	-	-

1. STAMP NUMBERS 3.18 HIGH AT WIRE END OF HOUSING (12 POINT DAVID TYPE); CLARIFICATION MARKS UNDER THE 6 & 9.
2. CHARACTERS TO BE STAMPED ON HOUSING IN A MANNER AS TO BE READ FROM WIRE END ONLY.
3. VIOLET, BLACK, BROWN, AND BLUE COLORED BLOCKS TO BE STAMPED WITH WHITE CHARACTERS; ALL OTHER COLORED BLOCKS TO BE STAMPED WITH BLACK CHARACTERS.



NATURAL	2-480705-0
COLOR	PART NUMBER

THIS DRAWING IS A CONTROLLED DOCUMENT.		DWN: B. WEAVER 03MAY2019	 TE Connectivity	NAME: CAP, 6 CIRCUIT, UNIVERSAL MATE-N-LOK PRODUCT SPEC: - APPLICATION SPEC: - SIZE: A   00779   C=480705 WEIGHT: - CUSTOMER DRAWING	RESTRICTED TO		
DIMENSIONS: mm		CHK: S. FERNANDES 03MAY2019			SCALE: 4:1	SHEET 2 OF 2	REV: AP5
TOLERANCES UNLESS OTHERWISE SPECIFIED:		APVD: T. BENCHOFF 03MAY2019			MATERIAL: NYLON UL 94V-2 FINISH: -		
0 PLC	±						
1 PLC	±						
2 PLC	±0.13						
3 PLC	±						
4 PLC	±						
ANGLES	±0°30'						