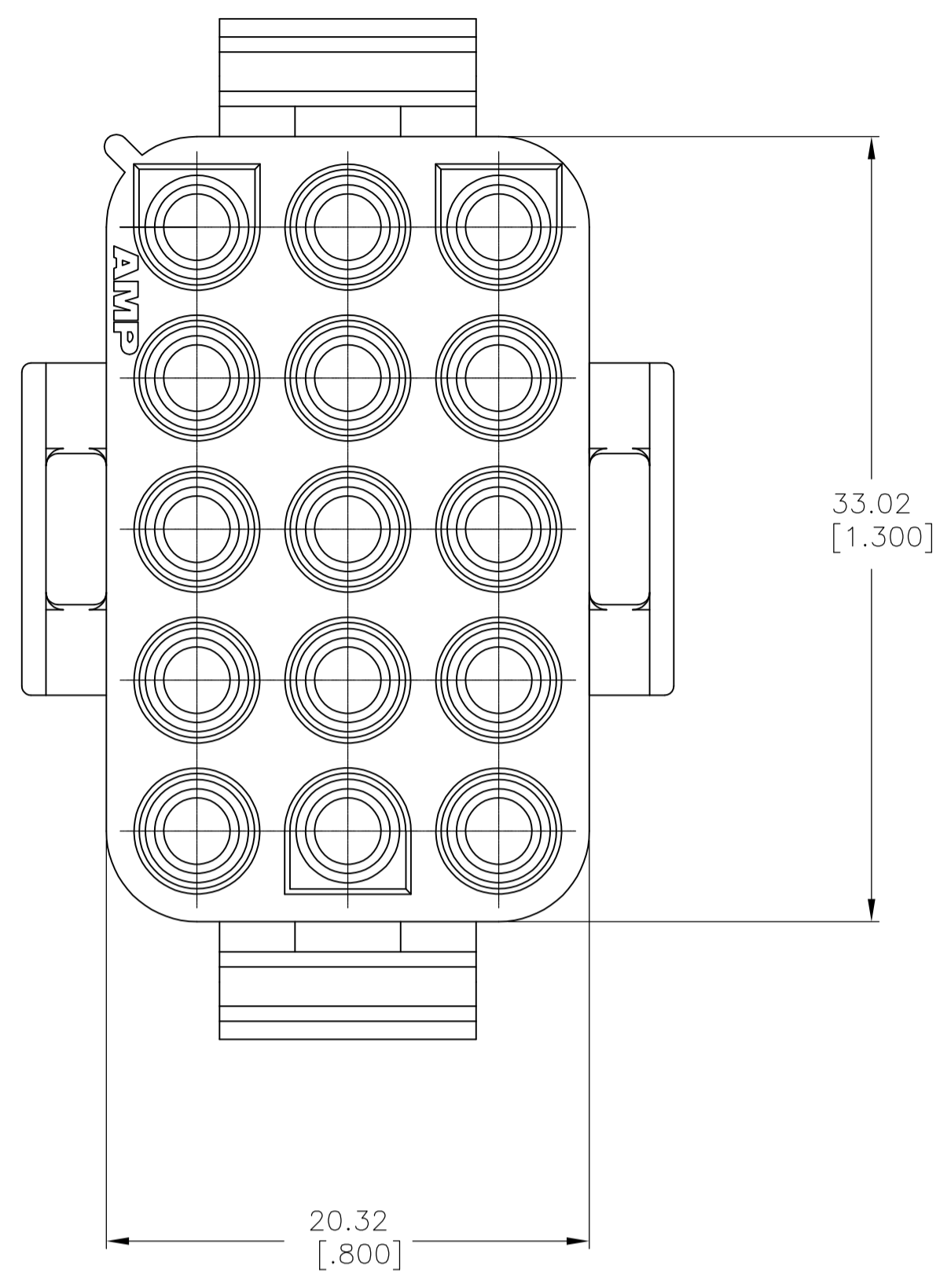
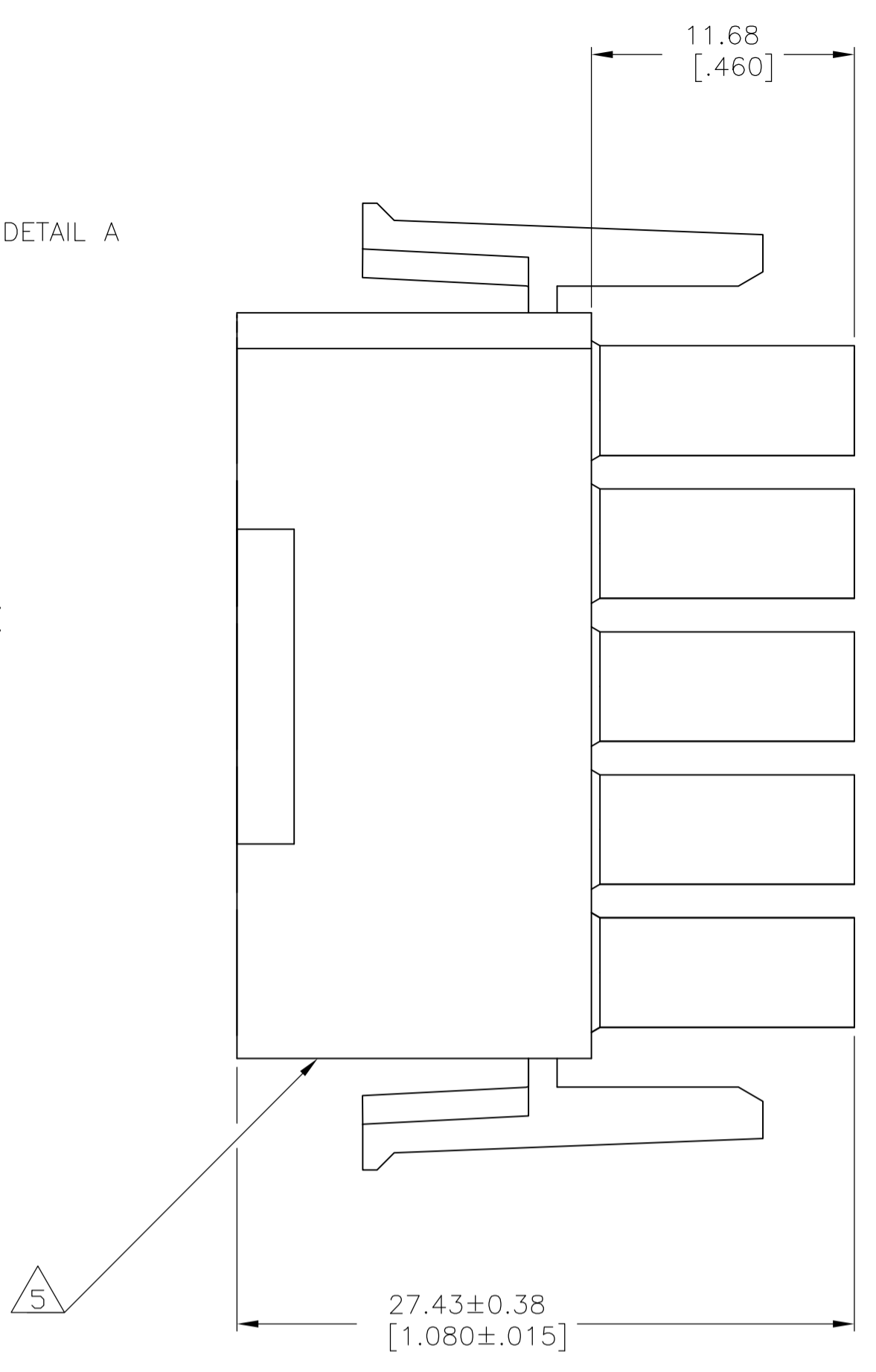
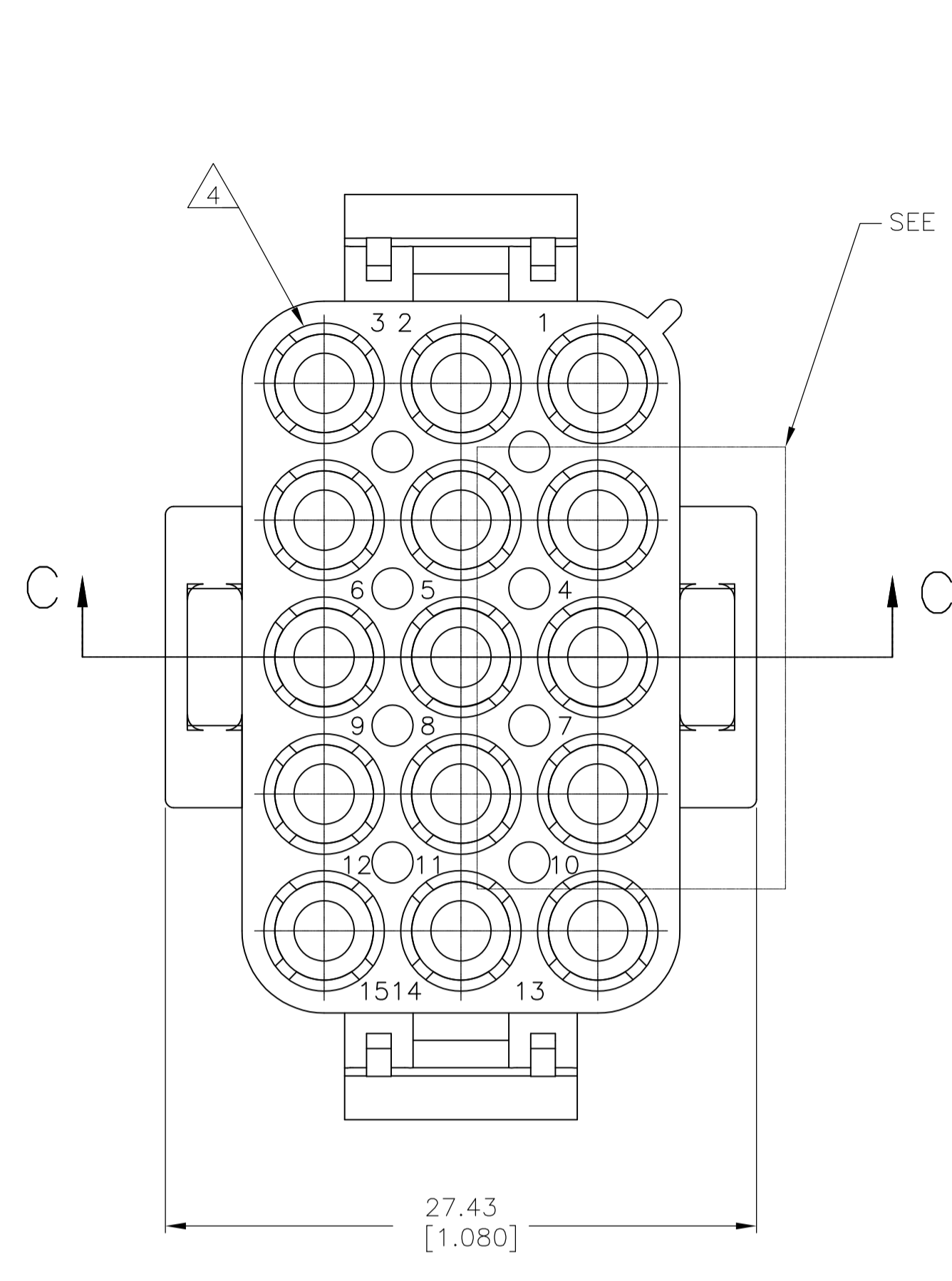
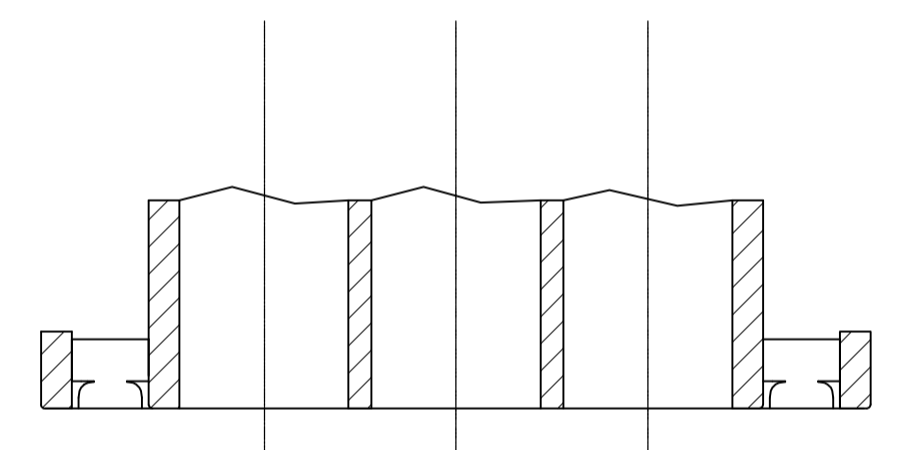


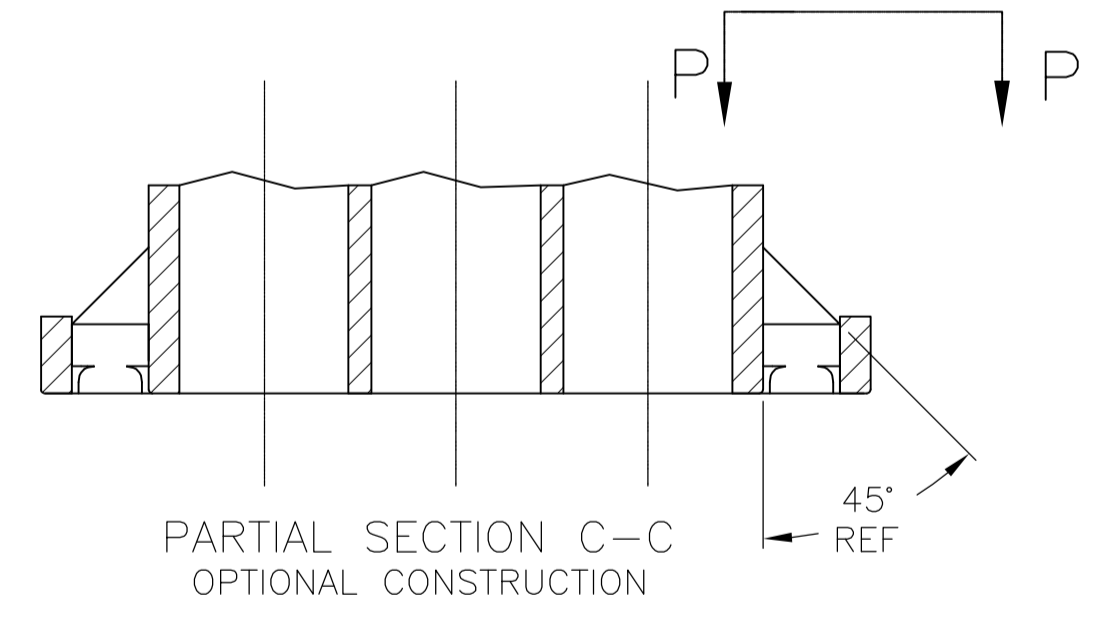
LOC		DIST		REVISIONS			
P	LTR	DESCRIPTION	DATE	DWN	APVD		
CM	00						
AN1	REVISED PER	ECR-17-008392	26JUN2017	BW	KR		



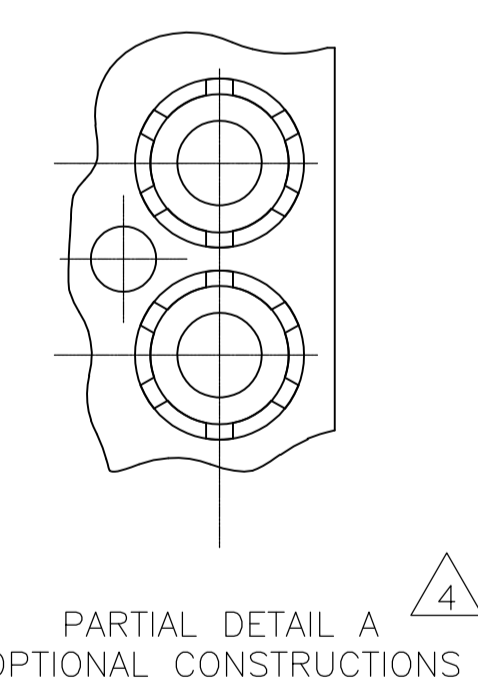
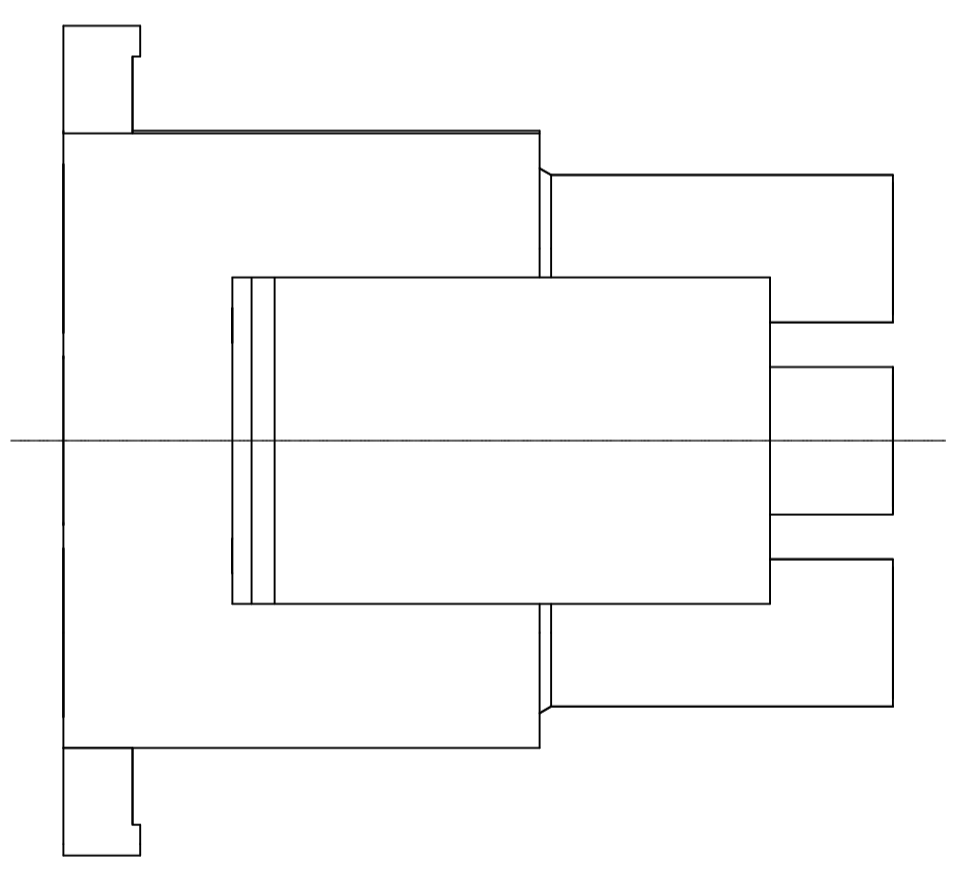
- MATES WITH APPROPRIATE UNIVERSAL MATE-N-LOK CAP OR HEADER.
  - SMALL NICKS ARE PERMITTED ON THE CIRCUIT TOWERS WHICH COULD INCREASE THE INITIAL HOUSING MATING FORCE BY UP TO 4.4 NEWTONS [1.0 LBS]. NO INDIVIDUAL NICKED TOWER SHALL INCREASE THIS FORCE BY OVER 2.2 NEWTONS [.5 LBS].
  - DIMENSIONS SHOWN REPRESENT PRODUCT IN DRY, AS MOLDED, CONDITION. ADDITIONAL 2% GROWTH DUE TO SUBSEQUENT MOISTURE ABSORPTION MAY OCCUR AND SHOULD BE ACCOUNTED FOR.
- △4 FOUR RIBS EQUALLY SPACED, NO SPECIFIC ORIENTATION. OR SIX RIBS EQUALLY SPACED, NO SPECIFIC ORIENTATION, OPTIONAL.
- △5 UNDERWRITERS RECOGNIZED COMPONENT LOGO AND CSA CERTIFICATION LOGO TO BE LOCATED ONCE EACH ON SIDE OF HOUSING.
- △6 OBSOLETE PARTS: OBSOLETE CIS STREAMLINING PER D.RENAUD/D.SINISI



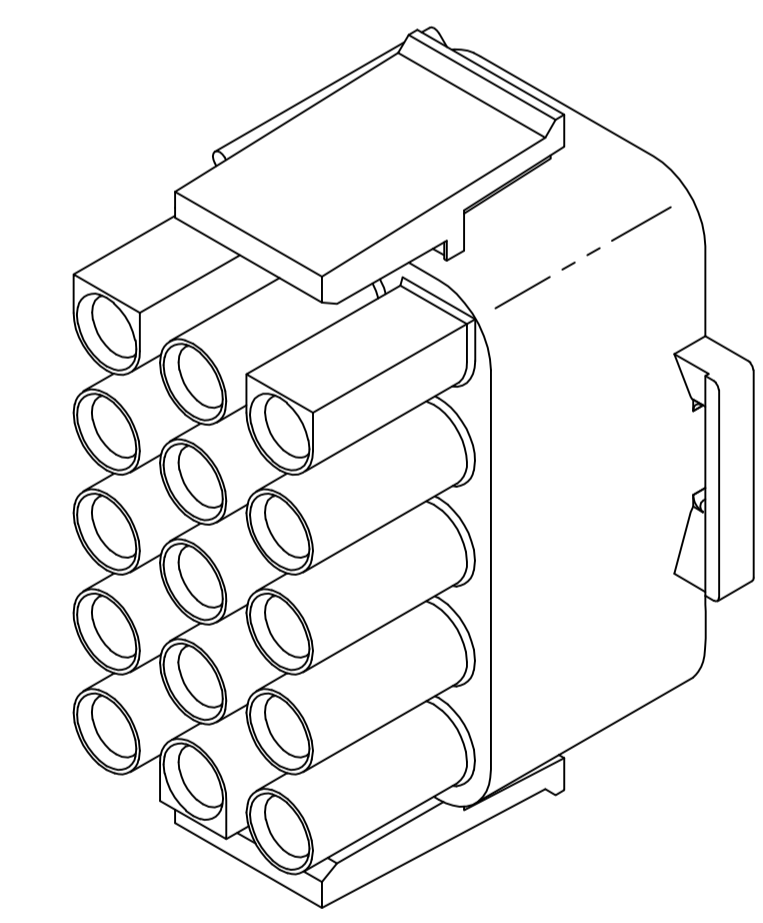
PARTIAL SECTION C-C



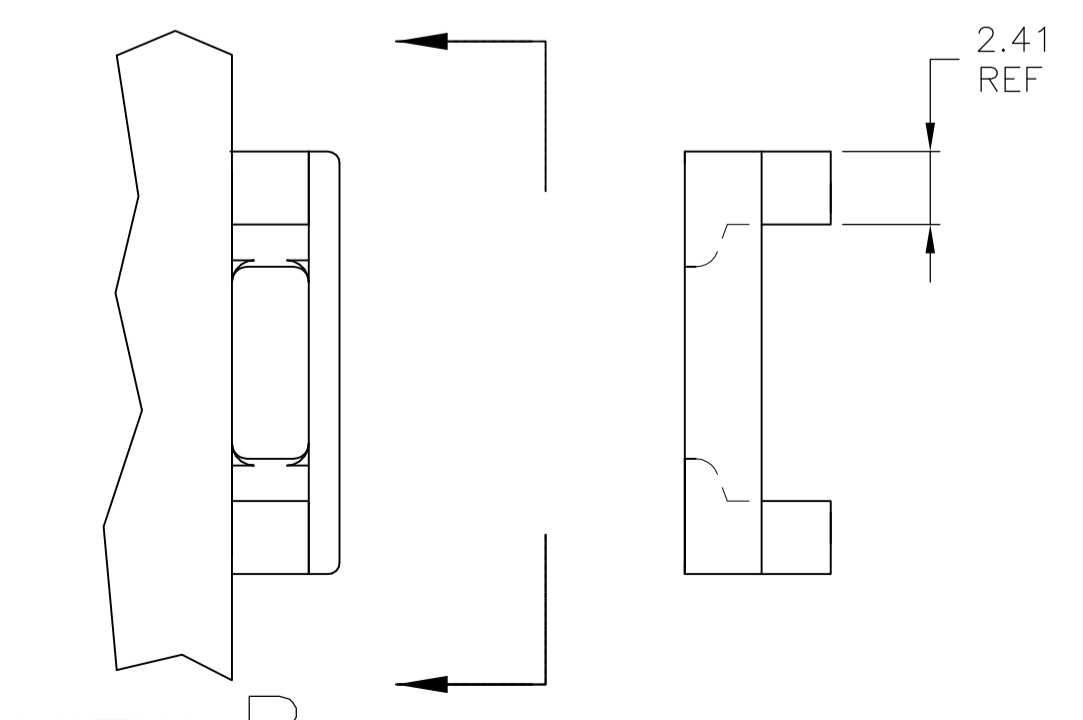
PARTIAL SECTION C-C  
OPTIONAL CONSTRUCTION



PARTIAL DETAIL A  
OPTIONAL CONSTRUCTIONS



3-DIMENSIONAL MODEL  
NTS



VIEW P  
OPTIONAL CONSTRUCTIONS

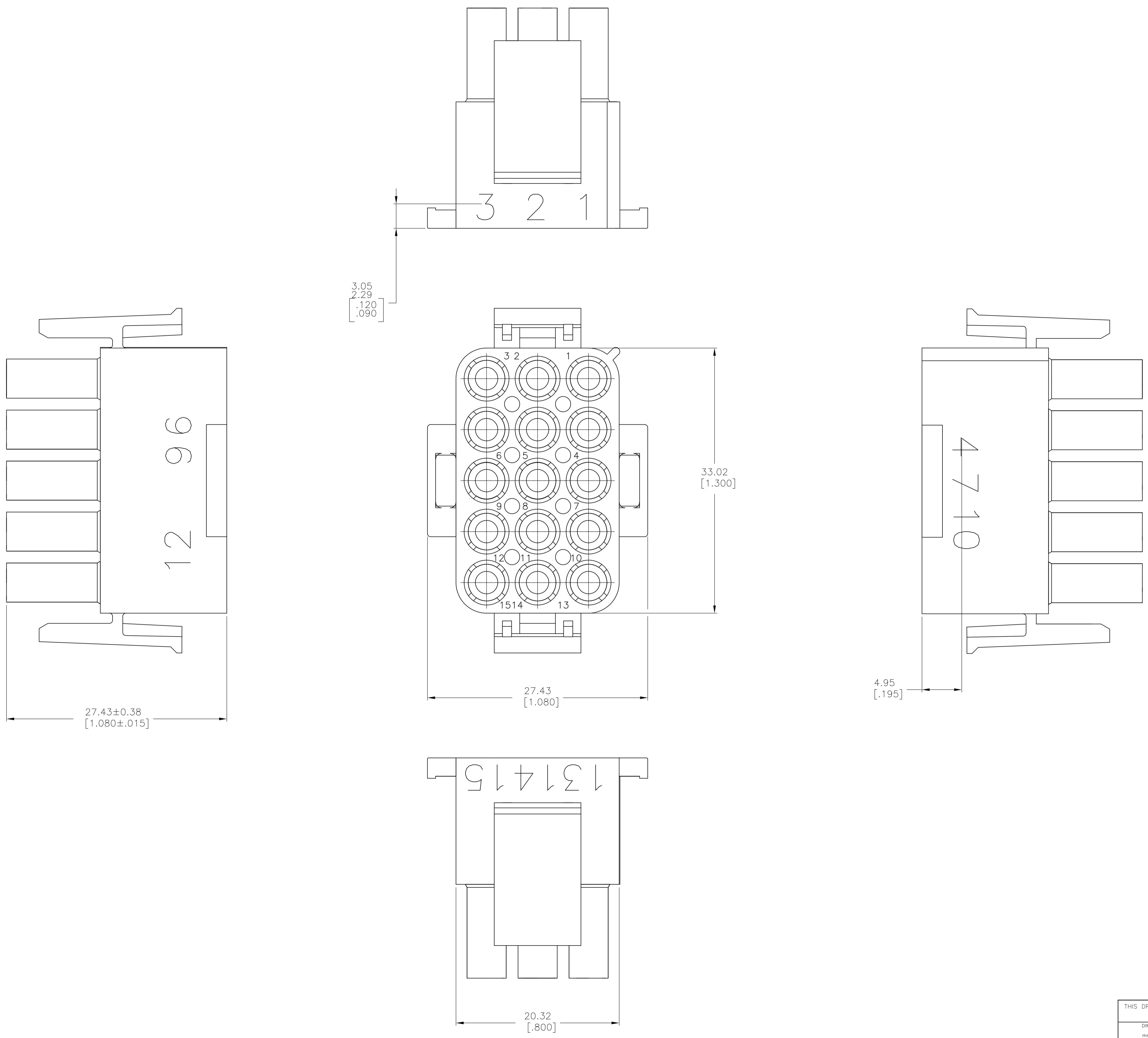
Color	Part Number
BLACK	1-480710-9
GRAY	1-480710-8
BLUE	1-480710-6
GREEN	1-480710-5
YELLOW	1-480710-4
ORANGE	1-480710-3
RED	1-480710-2
BROWN	1-480710-1
NATURAL	1-480710-0
COLOR	PART NUMBER

△6 OBSOLETE

△6 SUPERSEDED BY 1-480710-0

△6 OBSOLETE

THIS DRAWING IS A CONTROLLED DOCUMENT.		DIN K. WHITAKER 02SEP04		TE Connectivity	
DIMENSIONS: mm [INCHES]		TOLERANCES UNLESS OTHERWISE SPECIFIED:		NAME	
0. PLC ± -		1. PLC ± -		S. RIDGILL	
1. PLC ± -		2. PLC ± 0.13 [.005]		APVD S. RIDGILL	
2. PLC ± -		3. PLC ± -		PRODUCT SPEC	
3. PLC ± -		4. PLC ± -		APPLICATION SPEC	
4. PLC ± -		ANGLES ± 0.30°		SIZE	
MATERIAL NYLON, UL 94V-2		FINISH -		CAGE CODE	
				DRAWING NO	
				RESTRICTED TO	
				WEIGHT	
				A1 00779	
				C=480710	
				CUSTOMER DRAWING	
				SCALE 4:1	
				SHEET 1 OF 2	
				REV AN1	



1. STAMP NUMBERS 3.18 HIGH AT WIRE END OF HOUSING (12 POINT DAVID TYPE).
2. CHARACTERS TO BE POSITIONED ON HOUSING TO BE READ FROM WIRE END ONLY.
3. VIOLET,BLACK,BROWN,AND BLUE COLORED BLOCKS TO BE STAMPED WITH WHITE CHARACTERS. ALL OTHER COLORED BLOCKS TO BE STAMPED WITH BLACK CHARACTERS.

NATURAL	2-480710-0
COLOR	PART NUMBER

THIS DRAWING IS A CONTROLLED DOCUMENT.		DIN K. WHITAKER 02SEP04		TE Connectivity	
DIMENSIONS: mm [INCHES]		TOLERANCES UNLESS OTHERWISE SPECIFIED:			
0. PLC ± - 1. PLC ± - 2. PLC ± 0.13 [.005] 3. PLC ± - 4. PLC ± - ANGLES ± 0°30'		CHK S. RIDGILL APVD S. RIDGILL PRODUCT SPEC APPLICATION SPEC		NAME PLUG, 15 CIRCUIT, UNIVERSAL MATE-N-LOK	
MATERIAL NYLON, UL 94V-2		FINISH -		SIZE A1 CAGE CODE 00779 DRAWING NO. 480710 RESTRICTED TO -	
CUSTOMER DRAWING				SCALE 4:1 SHEET 2 OF 2 REV AN1	