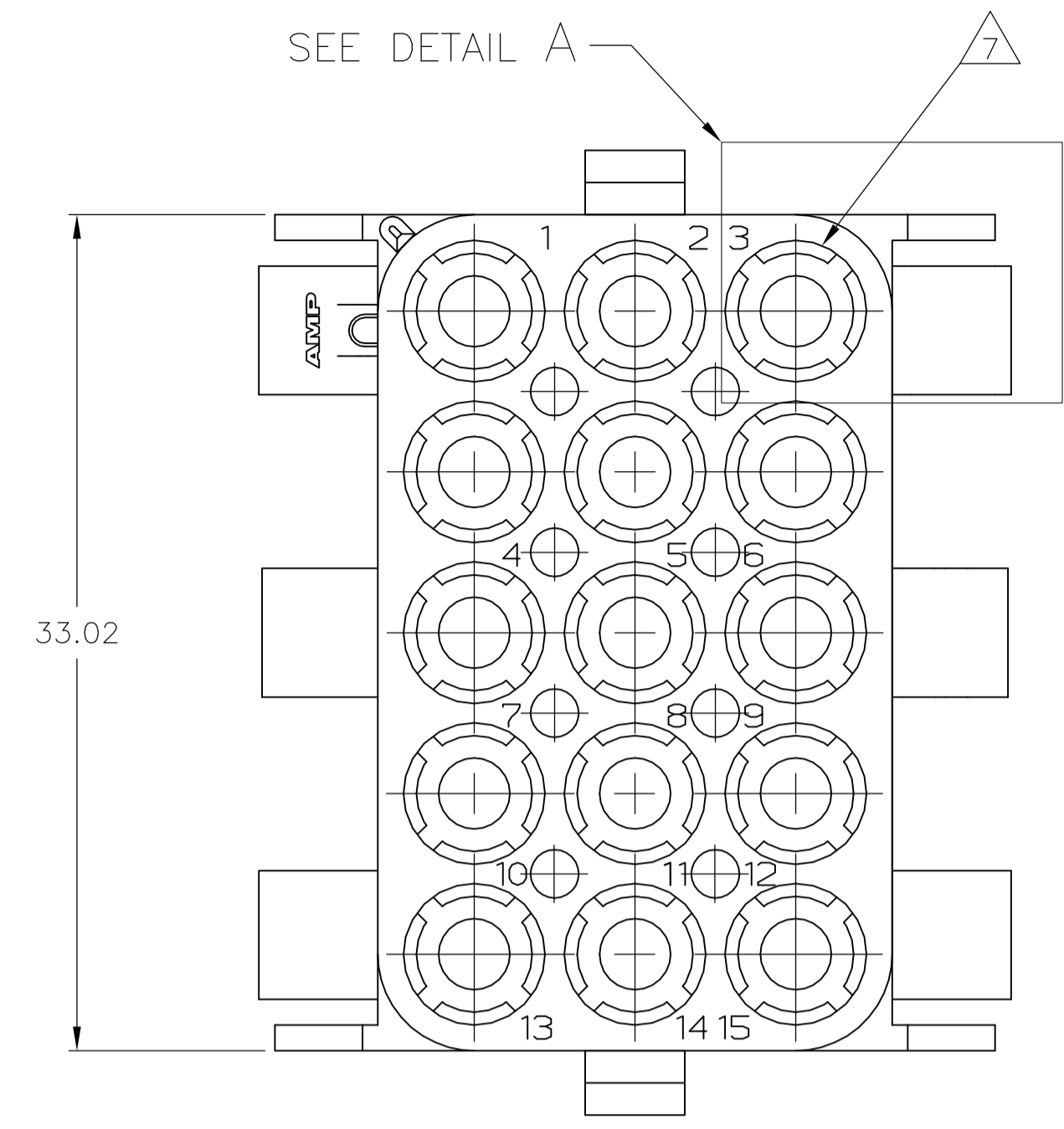
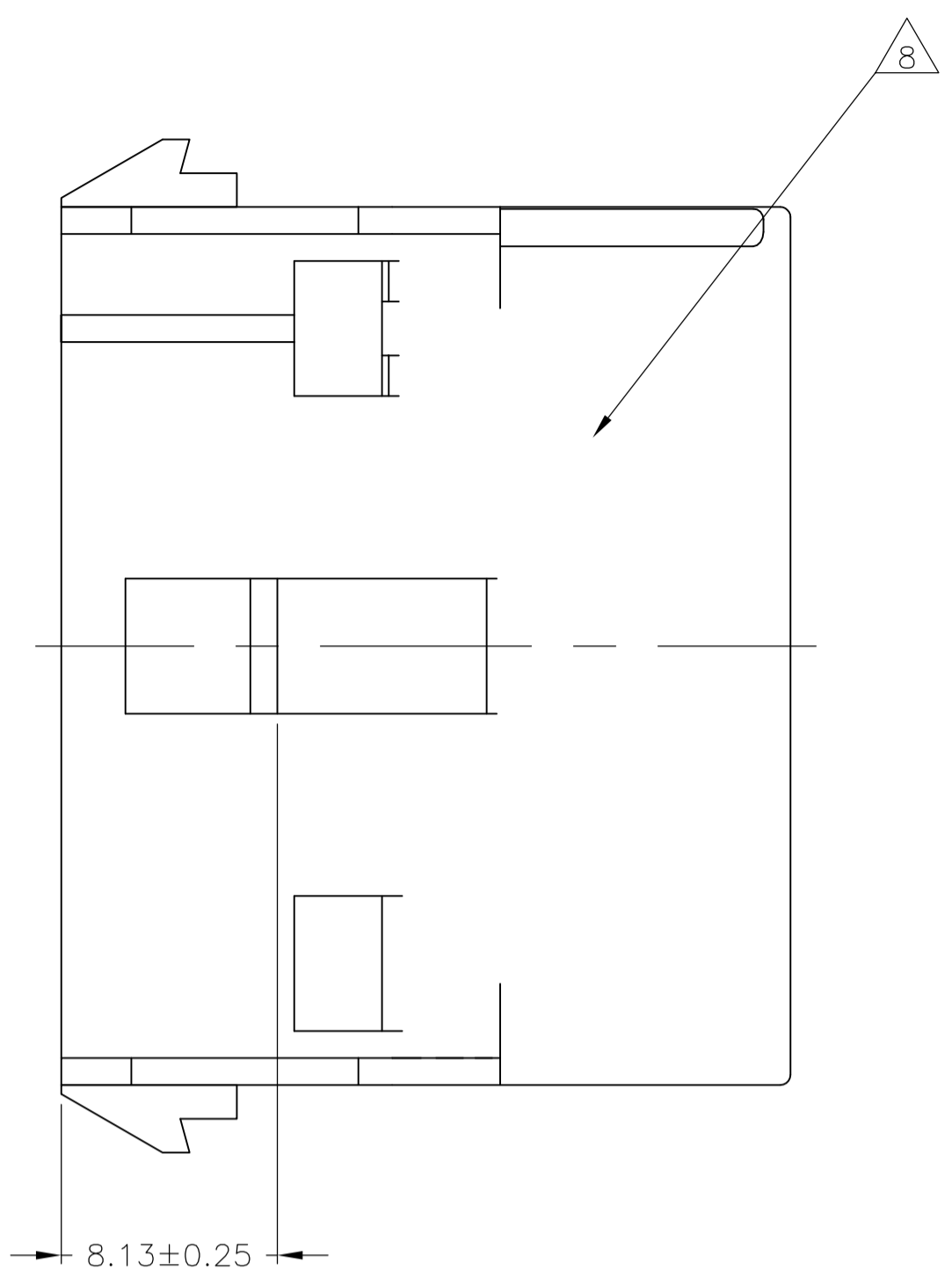
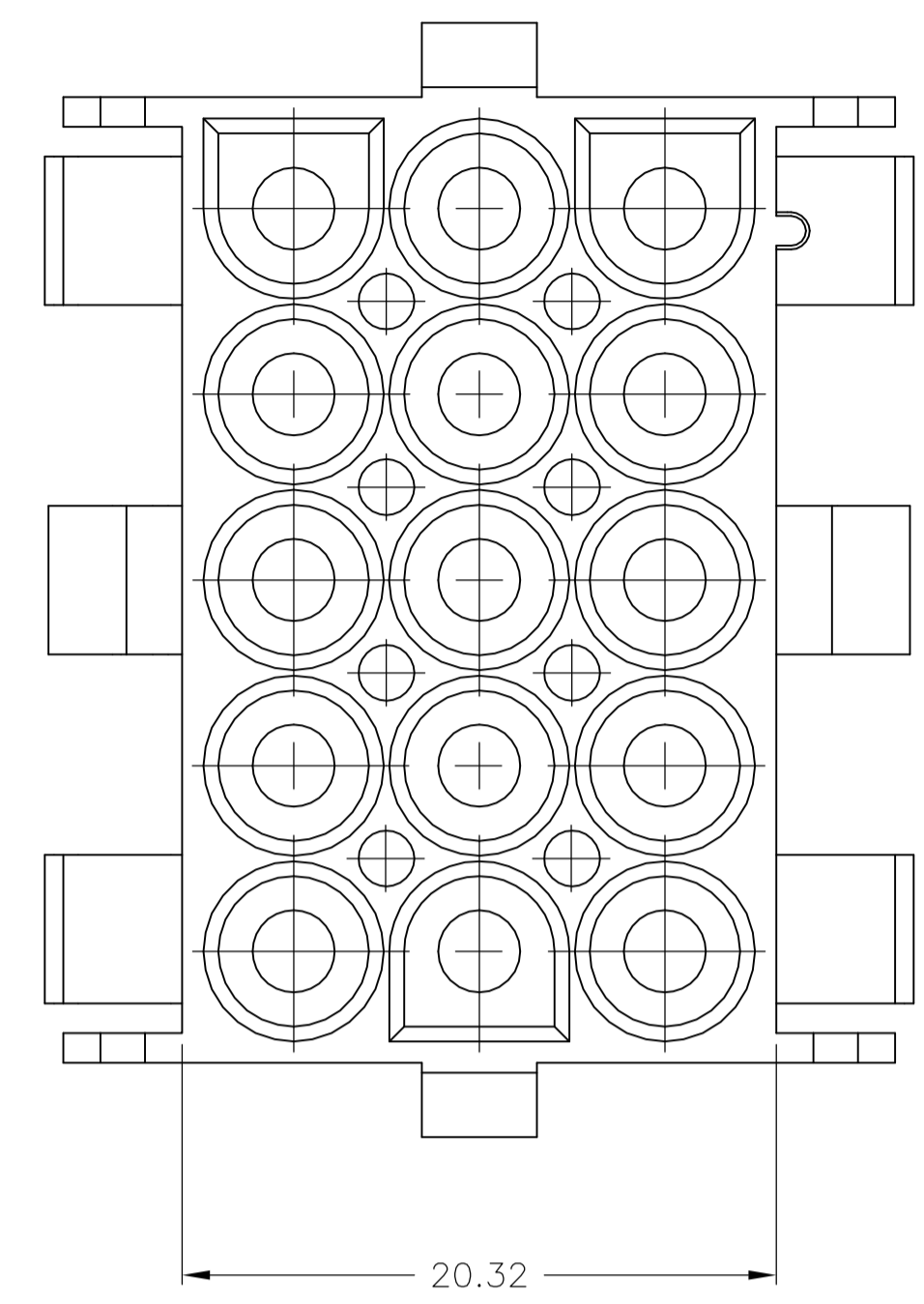
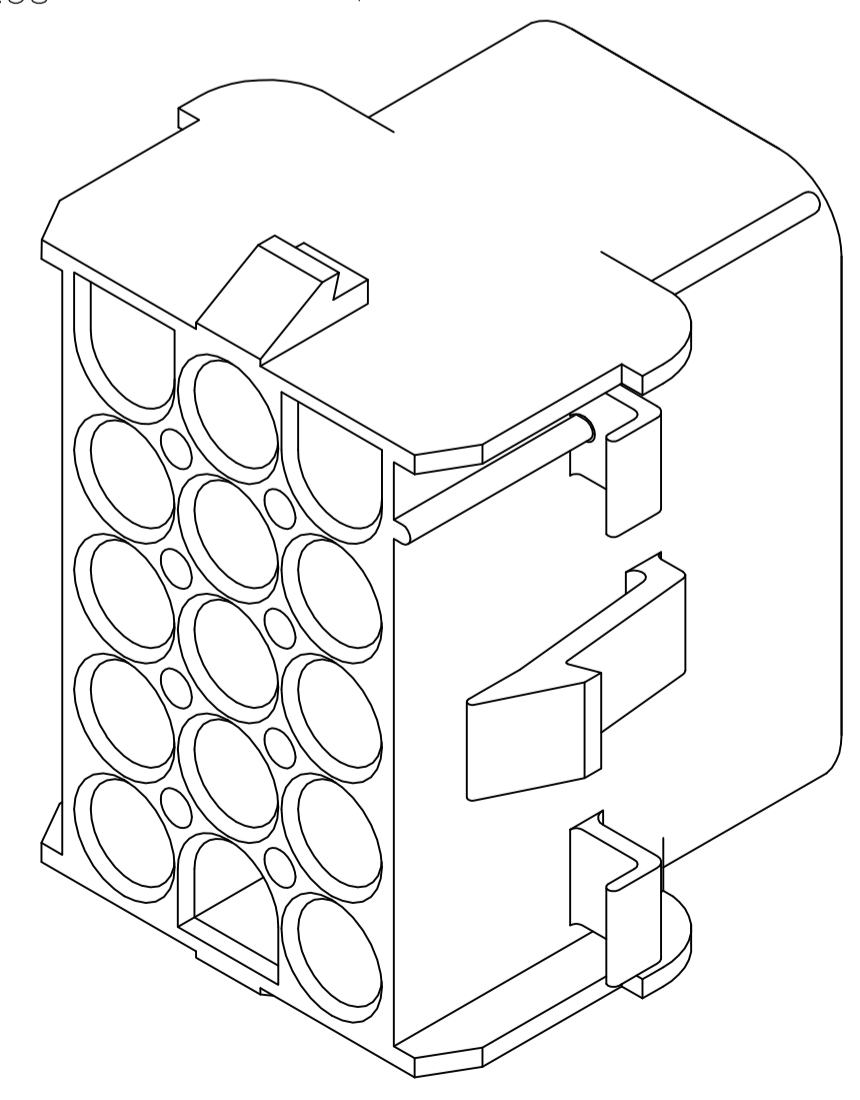
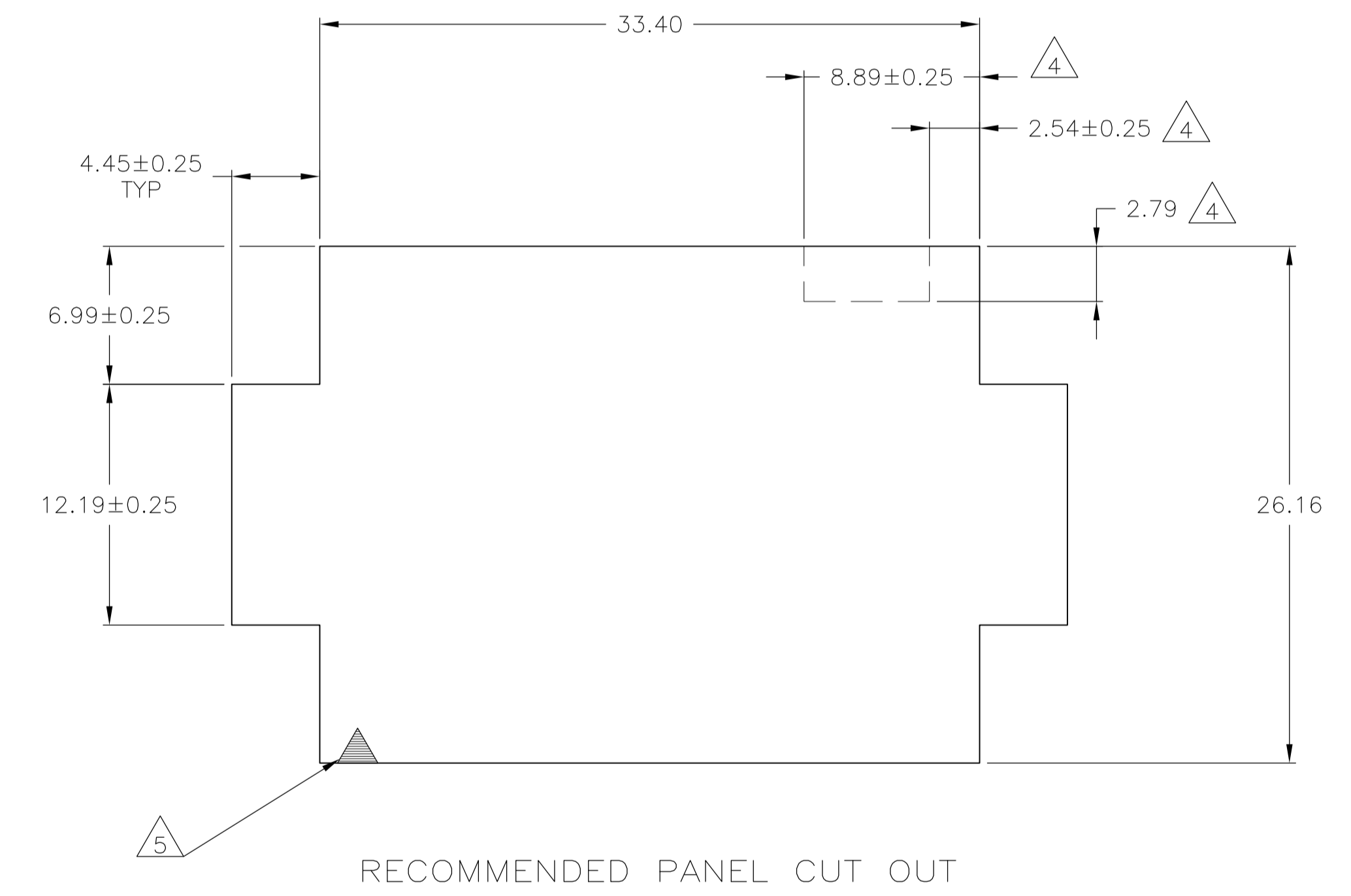
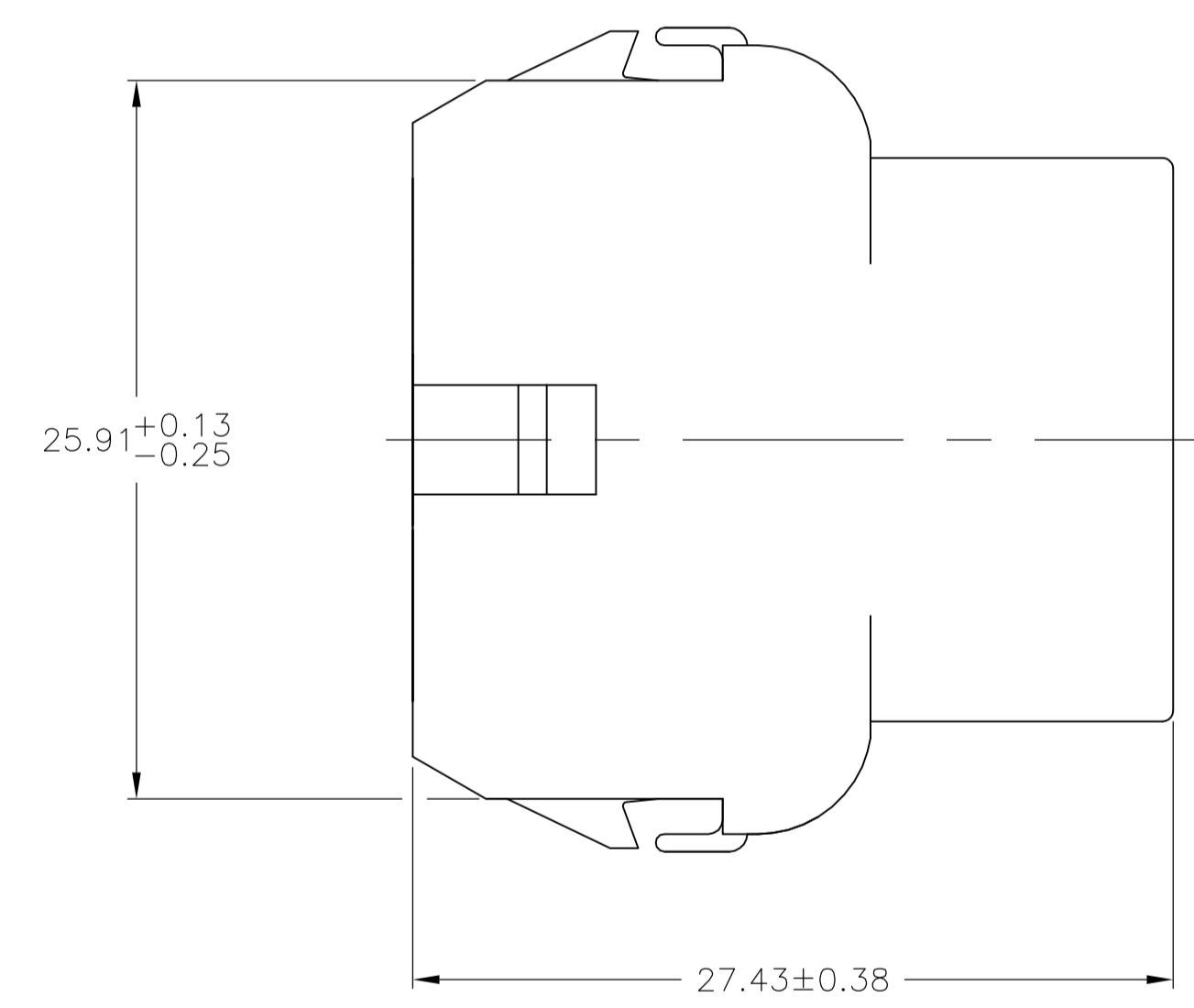
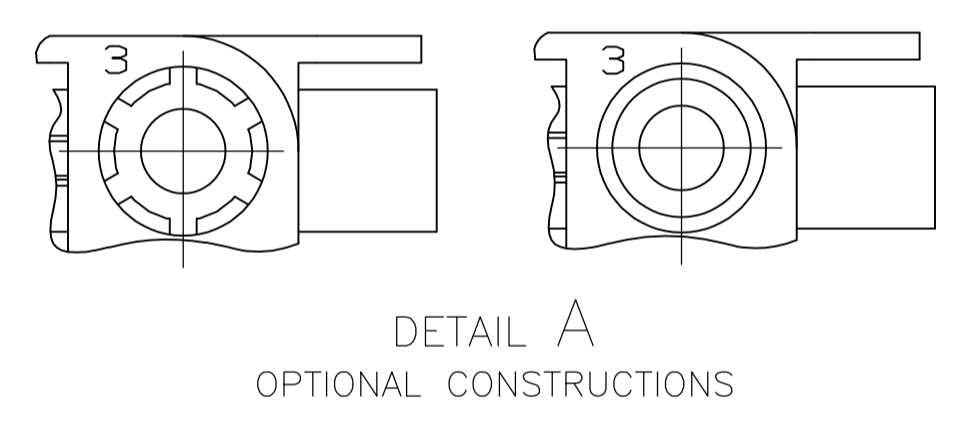


LOC		DIST		REVISIONS			
P	LTR	DESCRIPTION	DATE	DMN	APVD		
AJ3		REVISED PER ECR-17-008392	26JUN2017	BW	KR		



1. MATES WITH APPROPRIATE UNIVERSAL MATE-N-LOK™ PLUG.
2. RECOMMENDED PANEL THICKNESS 0.76 - 2.29.
3. PANEL MUST BE PUNCHED SO THAT THE HOUSING ENTERS THE PANEL IN THE SAME DIRECTION AS THE PUNCH.
4. OPTIONAL FOR KEYING HOUSING IN PANEL.
5. CIRCUIT NUMBER 1 LOCATION.
6. DIMENSIONS SHOWN REPRESENT PRODUCT IN DRY, AS MOLDED, CONDITION. ADDITIONAL 2% GROWTH DUE TO SUBSEQUENT MOISTURE ABSORPTION MAY OCCUR AND SHOULD BE ACCOUNTED FOR.
7. FOUR RIBS EQUALLY SPACED, NO SPECIFIC ORIENTATION. NO RIBS OR SIX RIBS EQUALLY SPACED, NO SPECIFIC ORIENTATION, OPTIONAL.
8. UNDERWRITERS RECOGNIZED COMPONENT LOGO AND CSA CERTIFICATION LOGO TO BE LOCATED ONCE EACH ON SIDE OF HOUSING.
9. OBSOLETE PARTS: OBSOLETE CIS STREAMLINING PER D.RENAUD/D.SINISI



6.99	.275	33.40	1.315
4.45	.175	33.02	1.300
2.79	.110	27.43	1.080
2.54	.100	26.16	1.030
2.29	.090	25.91	1.020
0.76	.030	20.32	.800
0.38	.015	12.19	.480
0.25	.010	8.89	.350
0.13	.005	8.13	.320
MM	IN	MM	IN

CONVERSION TABLE

Color	Part No
BLACK	1-480711-9
GRAY	1-480711-8
BLUE	1-480711-6
GREEN	1-480711-5
YELLOW	1-480711-4
ORANGE	1-480711-3
RED	1-480711-2
BROWN	1-480711-1
NATURAL	1-480711-0
COLOR	PART NO

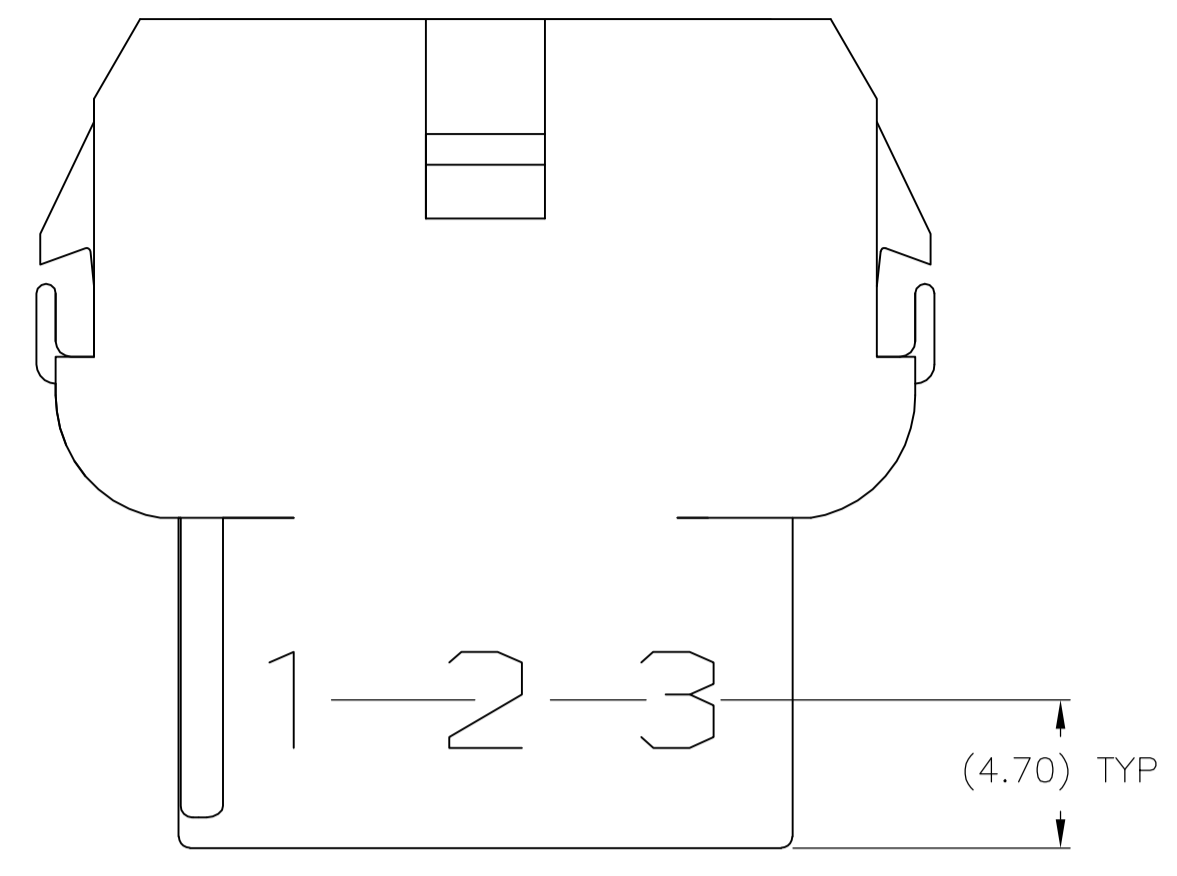
9. SUPERSEDED BY 1-480711-0
 9. SUPERSEDED BY 1-480711-0

THIS DRAWING IS A CONTROLLED DOCUMENT.

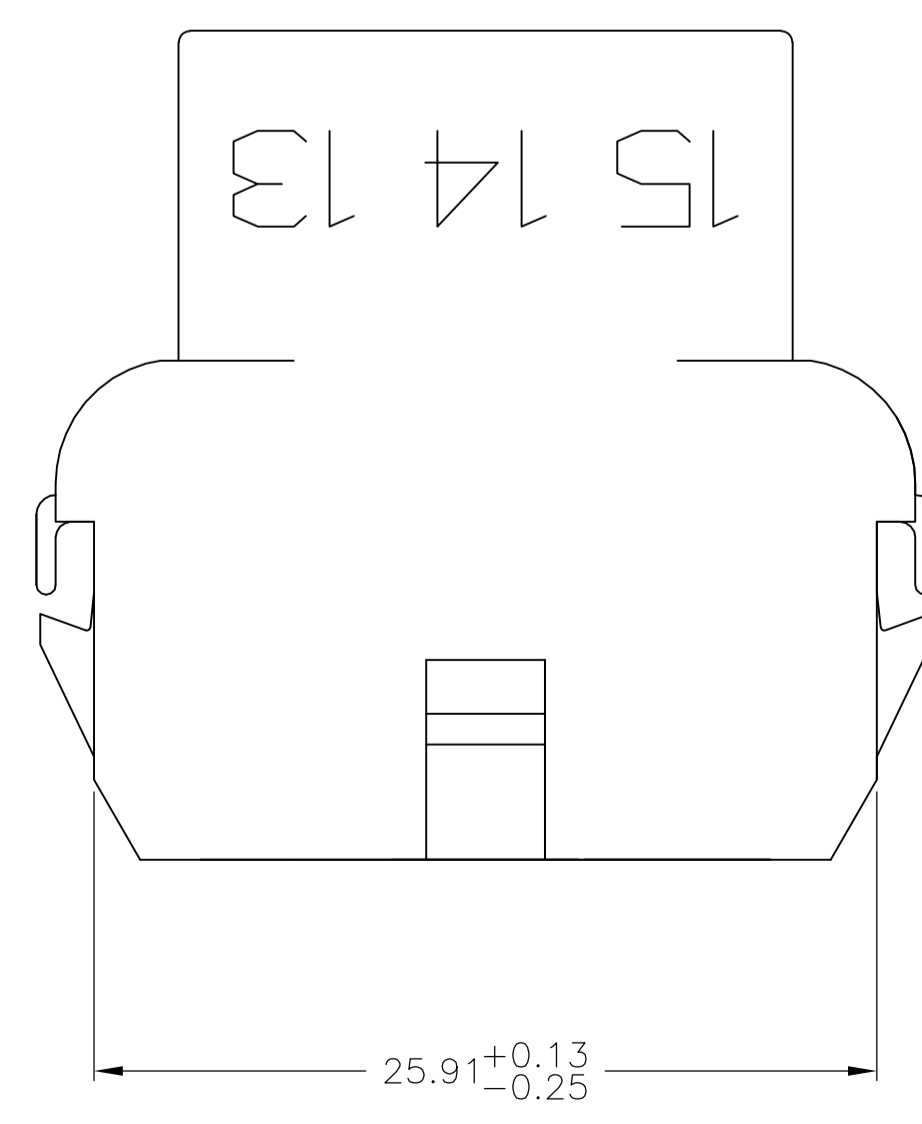
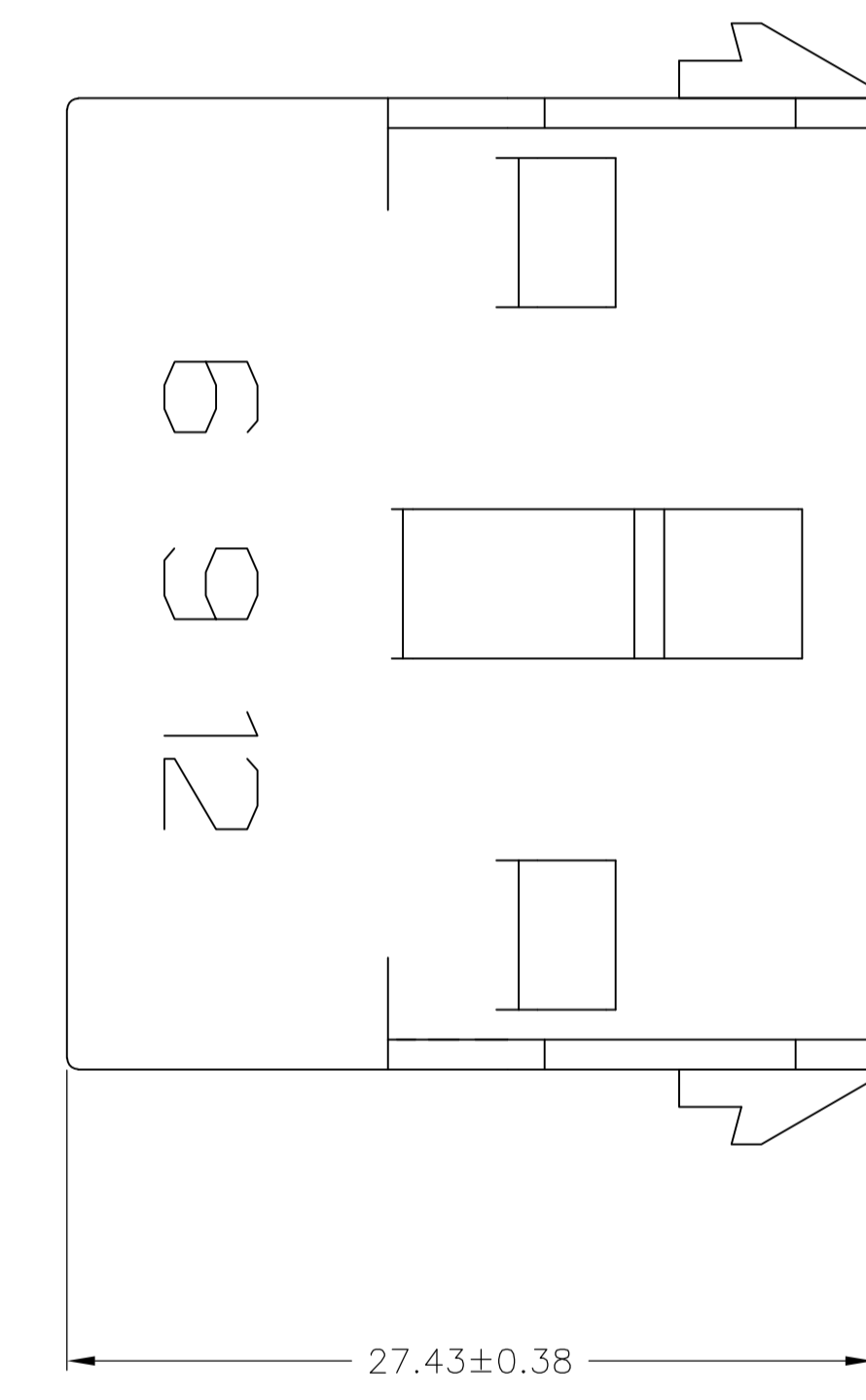
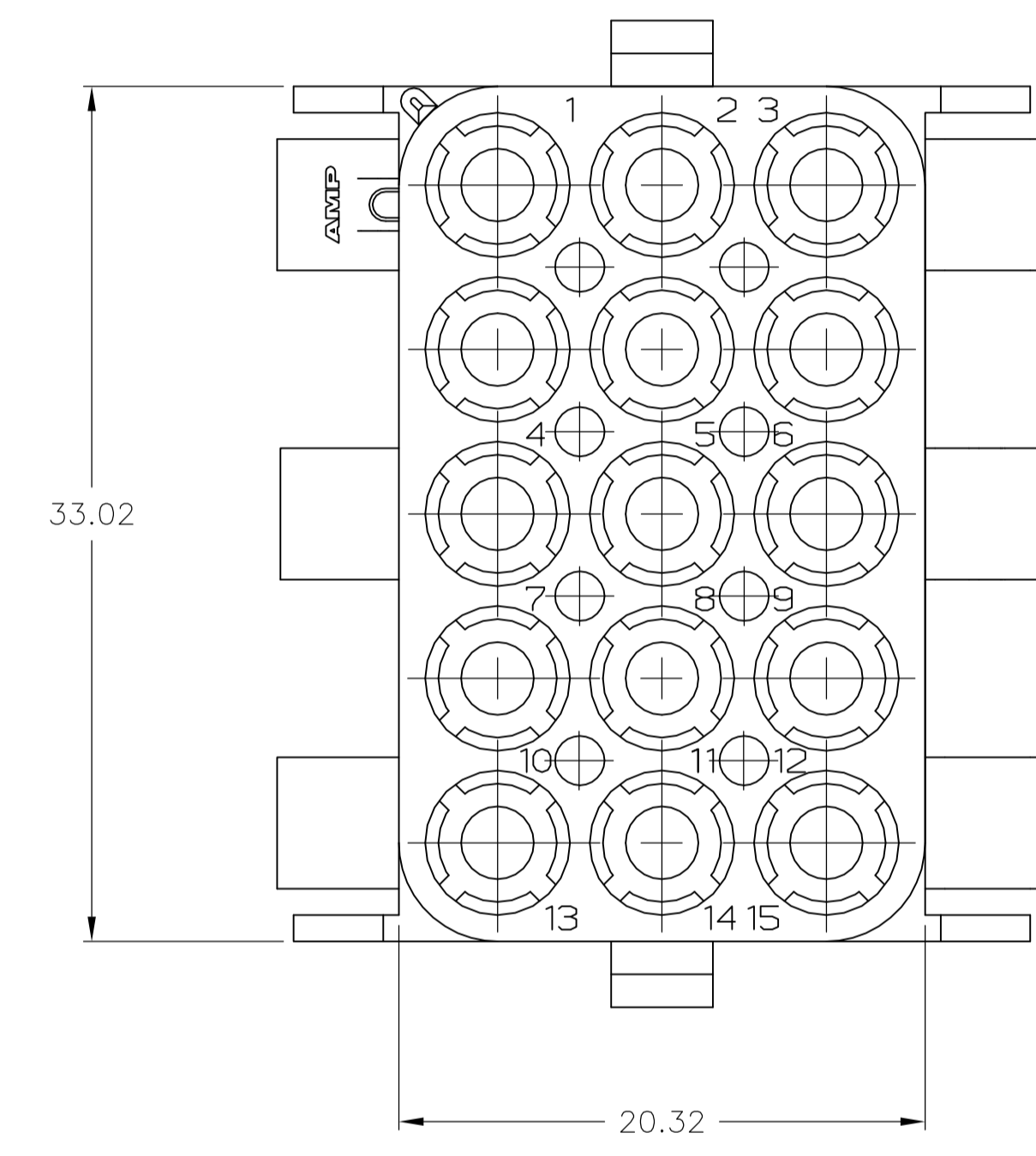
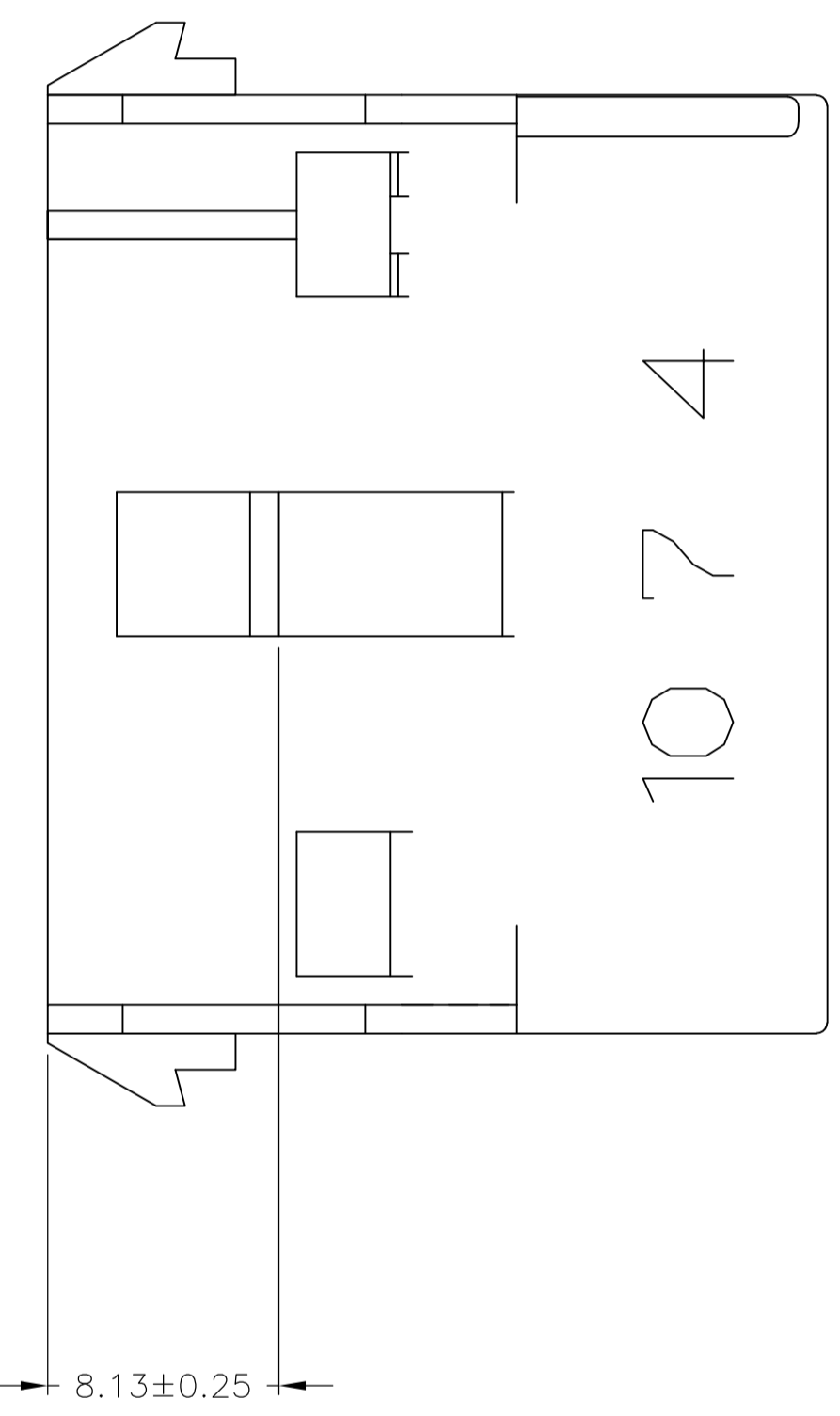
DIMENSIONS: mm	TOLERANCES UNLESS OTHERWISE SPECIFIED: 0. PLC ± - 1. PLC ± - 2. PLC ± 0.13 3. PLC ± - 4. PLC ± - ANGLES ± 0°30'	DIN K. WHITAKER 29JUL2004 CHK S. RIDGILL 29JUL2004 APVD S. RIDGILL 29JUL2004	NAME: CAP, 15 CIRCUIT, UNIVERSAL MATE-N-LOK™
MATERIAL: NYLON, UL94V-2	FINISH: -	WEIGHT: -	RESTRICTED TO: -

CUSTOMER DRAWING SCALE 4:1 SHEET 1 OF 2 REV AJ3

LOC		DIST		REVISIONS			
#	LTR	DESCRIPTION	DATE	OWN	APVD		
CM	00	SEE SHEET 1	-	-	-		



1. STAMP NUMBERS 3.18 HIGH AT WIRE END OF HOUSING (12 POINT DAVID TYPE); CLARIFICATION MARKS UNDER THE 6 & 9.
2. CHARACTERS TO BE STAMPED ON HOUSING IN A MANNER AS TO BE READ FROM WIRE END ONLY.
3. VIOLET, BLACK, BROWN, AND BLUE COLORED BLOCKS TO BE STAMPED WITH WHITE CHARACTERS. ALL OTHER COLORED BLOCKS TO BE STAMPED WITH BLACK CHARACTERS.



MM	IN	MM	IN
5.08	.200	-	-
4.70	.185	33.02	1.300
3.18	.125	27.43	1.080
0.38	.015	25.91	1.020
0.25	.010	20.32	.800
0.13	.005	8.13	.320

CONVERSION TABLE

NATURAL	2-480711-0
COLOR	PART NO

THIS DRAWING IS A CONTROLLED DOCUMENT.

DW: K. WHITAKER	29JUL2004	TE Connectivity CAP, 15 CIRCUIT, UNIVERSAL MATE-N-LOK TM	RESTRICTED TO
CHK: S. RIDGILL	29JUL2004		SIZE: A1
APVD: S. RIDGILL	29JUL2004		CAGE CODE: -
NAME: S. RIDGILL	29JUL2004		DRAWING NO: 480711
DIMENSIONS: mm	TOLERANCES UNLESS OTHERWISE SPECIFIED:	APPLICATION SPEC	SCALE: 4:1
0 PLC ± -	1 PLC ± -	WEIGHT: -	SHEET 2 OF 2
2 PLC ± 0.13	3 PLC ± -	MATERIAL: NYLON UL94V-2	REV: A, J, 3
4 PLC ± -	ANGLES ± 0.30°	FINISH: -	

CUSTOMER DRAWING