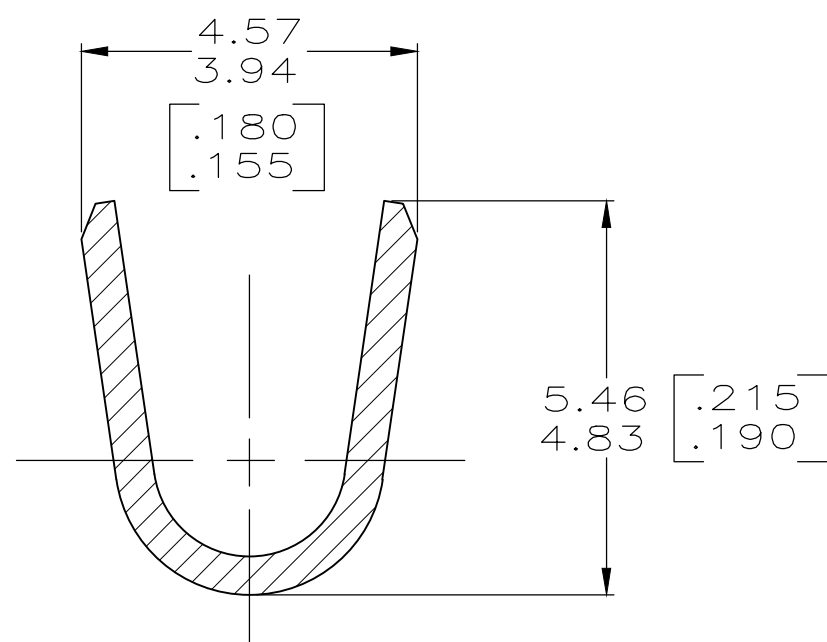
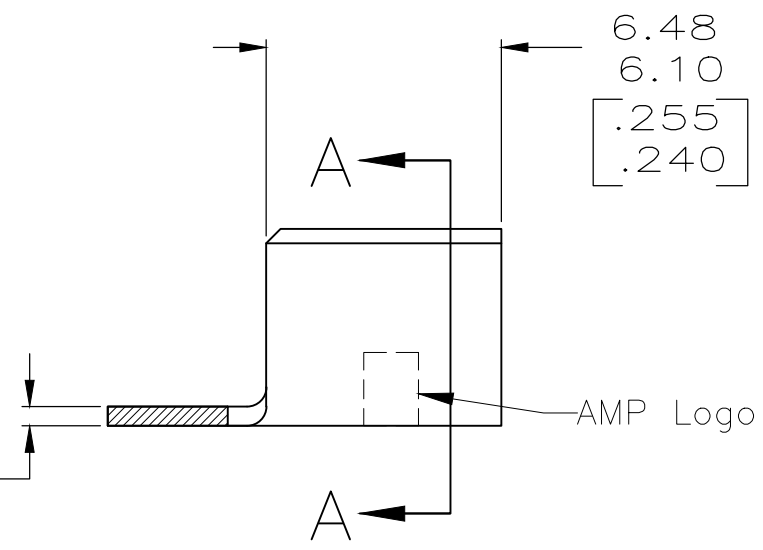
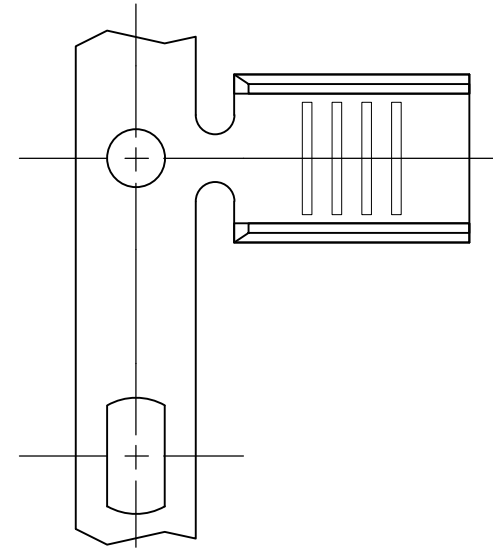


THIS DRAWING IS UNPUBLISHED. RELEASED FOR PUBLICATION
 © COPYRIGHT - By - ALL RIGHTS RESERVED.

LOC	DIST	REVISIONS					
		P	LTR	DESCRIPTION	DATE	DWN	APVD
AF	50		P3	REVISED PER ECR-20-005648	19MAY20	LZ	EW



SECTION A-A
SCALE 10:1

- 1 PRODUCT PROVIDED IN STRIP FORM ON REELS; BREAKS MAY BE PRESENT
- 2 SPLICE FREE REELING
- 3 WIRE RANGE FOR NEW APPLICATIONS: 4000-9000 CMA (WIRE RANGE APPROVED FOR APPLICATIONS IMPLEMENTED PRIOR TO 2005: 3000-8400 CMA).
- 4 CRIMP WIDTH = .140 F TYPE
CRIMP HEIGHT (±.002) = (TOTAL CMA + 14,400) / 223,100.
- 5 PRODUCT LUBRICANT APPLICATOR AVAILABLE FOR TE CONNECTIVITY TERMINATION EQUIPMENT MAY BE REQUIRED TO FACILITATE CRIMPING
- 6 PRELIMINARY - NOT FOR PRODUCTION.

FINISH	MATERIAL	WIRE RANGE	PART NO.
TIN	H00 COPPER		485043-7
	-		-
	-		-
NICKEL	T3 STEEL	3 4 5	485043-4
OBSOLETE	TIN T3 STEEL		485043-3
	TIN H04 BRASS		485043-2
2	- H04 BRASS		485043-1

THIS DRAWING IS A CONTROLLED DOCUMENT.		DWN 11/MAY/95 PHILLIP M FORTNEY	STE TE Connectivity	
DIMENSIONS: INCHES		CHK 11/MAY/95 JEFF R RUTH		
TOLERANCES UNLESS OTHERWISE SPECIFIED:		APVD 11/MAY/95 MARK BARNABA	NAME	
0 PLC ± -		PRODUCT SPEC	SPLICE	
1 PLC ± -		108-106466	SIZE CAGE CODE DRAWING NO	
2 PLC ± 0.25 [.010]		APPLICATION SPEC	A3 00779 C-485043	
3 PLC ± -		114-2088	RESTRICTED TO	
4 PLC ± -		WEIGHT -	-	
ANGLES ± -				
MATERIAL SEE TABLE	FINISH SEE TABLE	CUSTOMER DRAWING		SCALE 5:1 SHEET 1 OF 1 REV P3