

4

3

2

1

THIS DRAWING IS UNPUBLISHED.

RELEASED FOR PUBLICATION

20

LOC - -

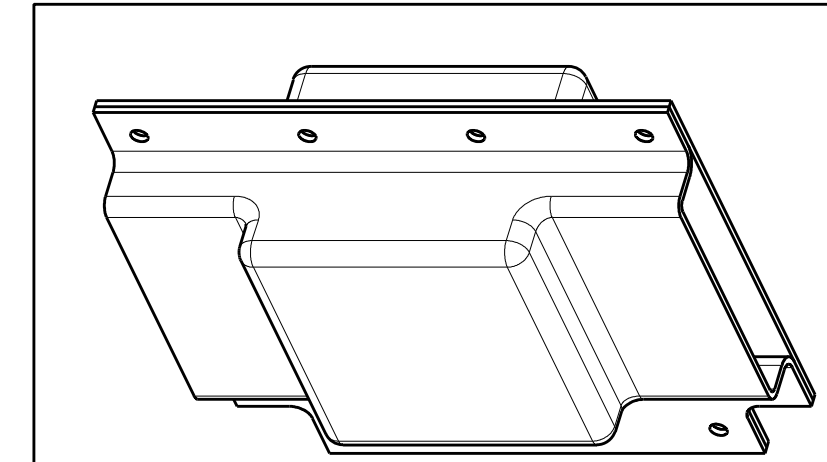
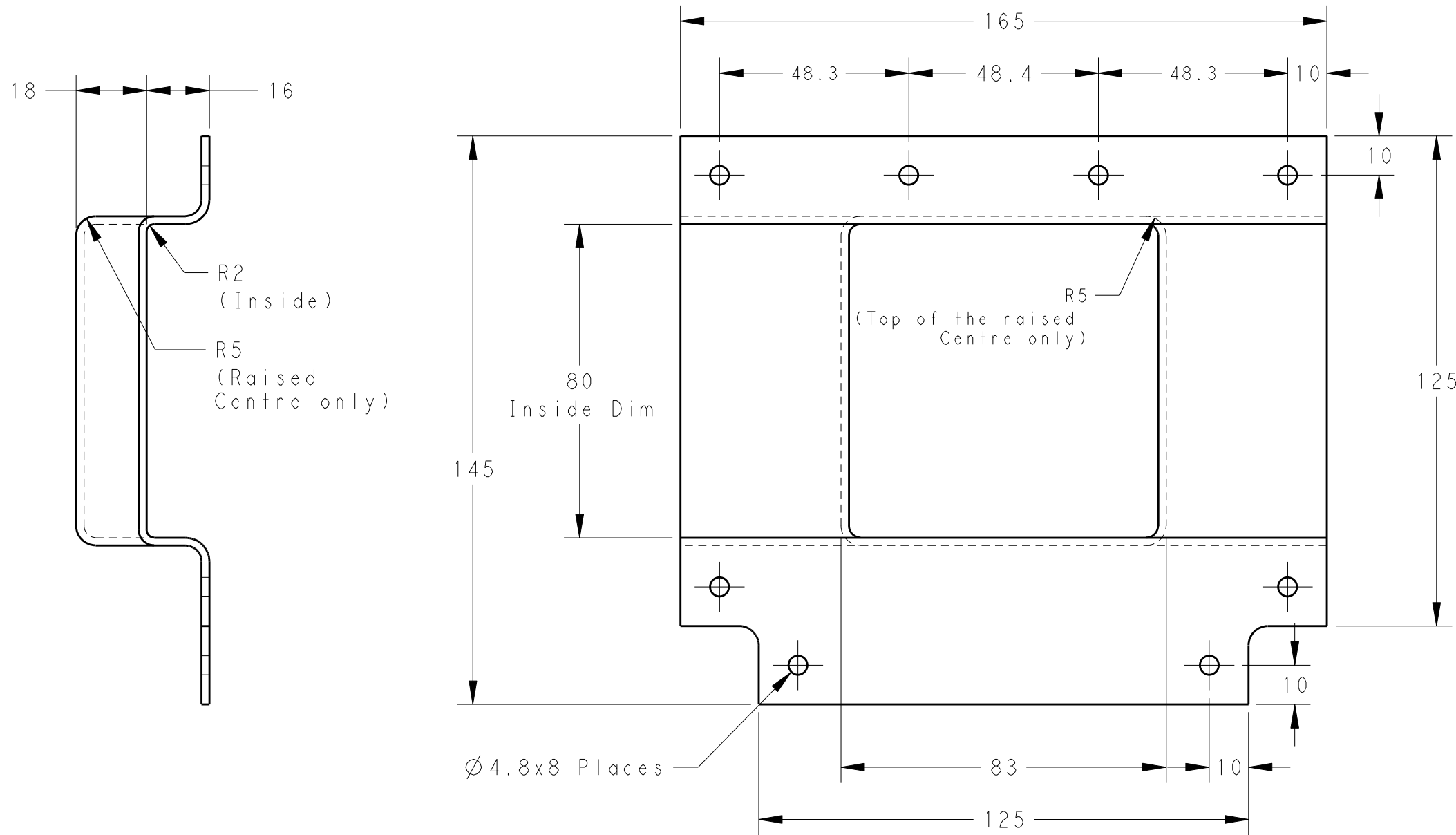
DIST - -

REVISIONS

© COPYRIGHT 20 BY TYCO ELECTRONICS CORPORATION ALL RIGHTS RESERVED.

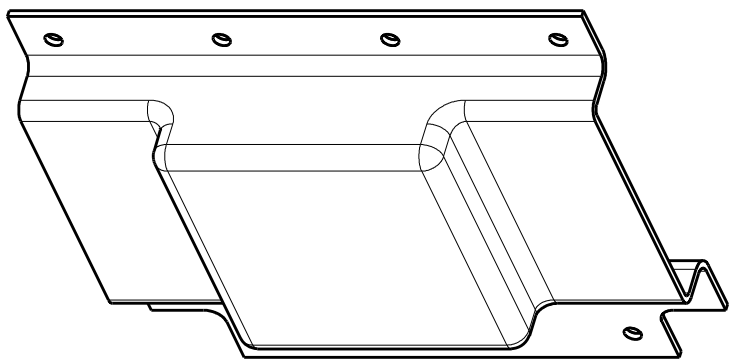
P	LTR	DESCRIPTION	DATE	DWN	APVD
	A	Hole Size Changes from 6mm to 4.8mm and Note No.3 Changes.	05SEP2012	V.P	I.B

FRONT PIECE




SCALE 1:2

(Assy. view for external reference only)



SCALE 1:2

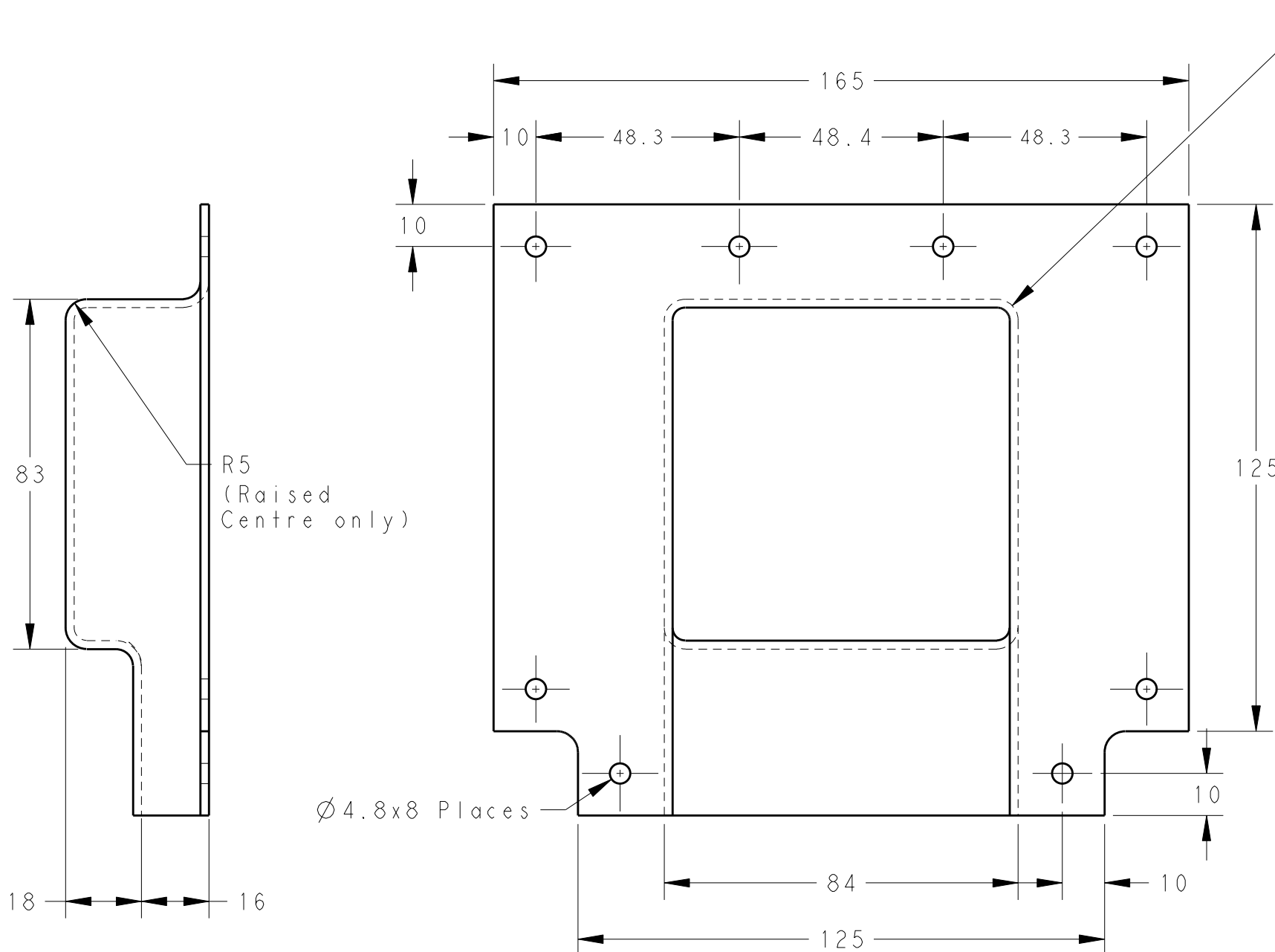
(Front Piece for external reference only)

THIS DRAWING IS A CONTROLLED DOCUMENT.		DWN Vishnu 04JUL2012	 TE Connectivity		
DIMENSIONS: mm		CHK I.Bond 04JUL2012			
TOLERANCES UNLESS OTHERWISE SPECIFIED:		APVD I.Bond 04JUL2012	NAME BMOD-HV-075-T11-00(B12)		
0 PLC ± 1 PLC ±0.5 2 PLC ±0.13 3 PLC ±0.013 4 PLC ±0.0064 ANGLES ±		PRODUCT SPEC -	RESTRICTED TO -		
MATERIAL -		APPLICATION SPEC -	SIZE A3	CAGE CODE 00779	DRAWING NO C-5-1899738-1
FINISH -		WEIGHT -	SCALE 3:4		
		CUSTOMER DRAWING	SHEET 1 OF 2		
			REV A		

THIS DRAWING IS UNPUBLISHED. RELEASED FOR PUBLICATION 20
 © COPYRIGHT 20 BY TYCO ELECTRONICS CORPORATION ALL RIGHTS RESERVED.

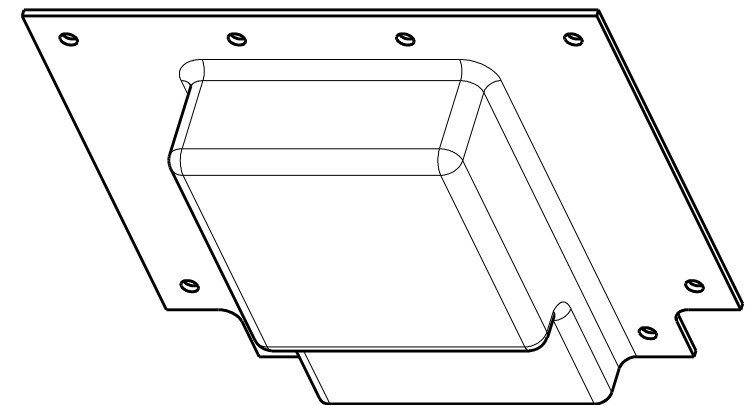
LOC	DIST	REVISIONS			
P	LTR	DESCRIPTION	DATE	DWN	APVD
-	-	SEE SHEET 1	-	-	-

BACK PIECE



NOTES:

1. Parts shall be kitted 24pcs per box, 12 pairs of covers
2. Parts shall be supplied in the open position
3. Parts shall be kitted with 8 x LVIC-RIV-TS555 PCN: 319851-000, or with Raysulate equivalent part, per pair of covers.
4. Parts shall be kitted with Installation Instruction: ESD-6064-6/12



SCALE 1:2

(Back Piece for external reference only)

THIS DRAWING IS A CONTROLLED DOCUMENT.		DWN Vishnu 04JUL2012	TE Connectivity		
DIMENSIONS: mm		CHK I. Bond 04JUL2012			
TOLERANCES UNLESS OTHERWISE SPECIFIED:		APVD I. Bond 04JUL2012	NAME BMOD-HV-075-T11-00(B12)		
0 PLC ± 1 PLC ±0.5 2 PLC ±0.13 3 PLC ±0.013 4 PLC ±0.0001 ANGLES ±		PRODUCT SPEC -	RESTRICTED TO -		
MATERIAL -		APPLICATION SPEC -	SIZE A3	CAGE CODE 00779	DRAWING NO C-5-1899738-1
FINISH -		WEIGHT -	SCALE 3:4		
		CUSTOMER DRAWING	SHEET 2 OF 2	REV A	