

THIS DRAWING IS UNPUBLISHED.

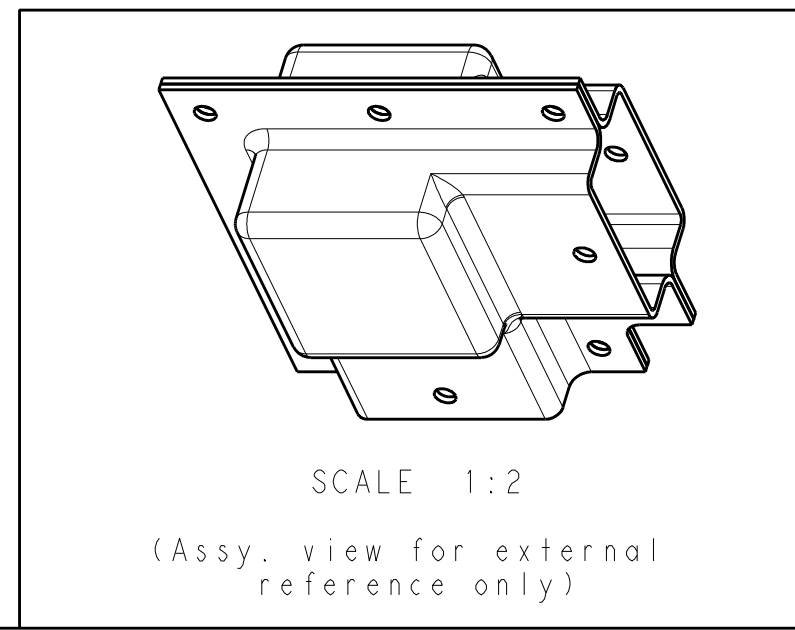
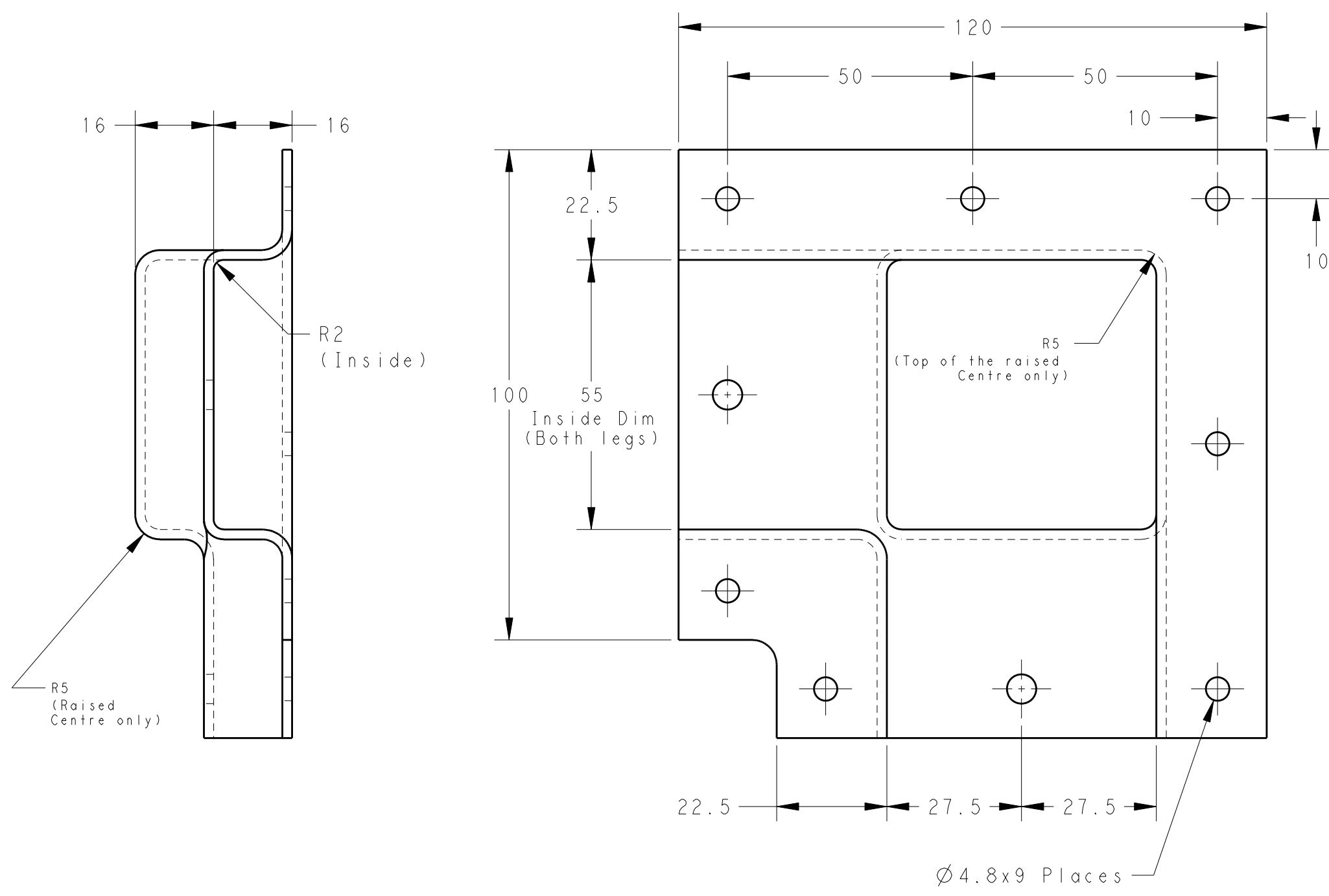
RELEASED FOR PUBLICATION


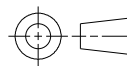
20

© COPYRIGHT 20 BY TYCO ELECTRONICS CORPORATION ALL RIGHTS RESERVED.

LOC	DIST
-	-

REVISIONS					
P	LTR	DESCRIPTION	DATE	DWN	APVD
	A	Hole Size Changes from 6mm to 4.8mm and Note No.3 Changes.	04SEP2012	V.P	I.B



THIS DRAWING IS A CONTROLLED DOCUMENT.		DWN Vishnu 26JUN2012	 TE Connectivity				
DIMENSIONS: mm		CHK I.Bond 26JUN2012				NAME BMOD-LV-050-L11-01(B12)	
		APVD I.Bond 26JUN2012				PRODUCT SPEC -	
TOLERANCES UNLESS OTHERWISE SPECIFIED:		PRODUCT SPEC -	APPLICATION SPEC -		RESTRICTED TO -		
0 PLC ± 1 PLC ±0.5 2 PLC ±0.13 3 PLC ±0.013 4 PLC ±0.0081 ANGLES ±		APPLICATION SPEC -	SIZE A3		CAGE CODE 00779		
MATERIAL -		WEIGHT -	DRAWING NO C-5-1899738-5		RESTRICTED TO -		
FINISH -		CUSTOMER DRAWING		SCALE 1:1	SHEET 1 OF 2		

THIS DRAWING IS UNPUBLISHED.

RELEASED FOR PUBLICATION

20

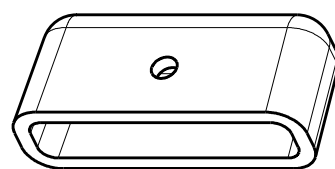
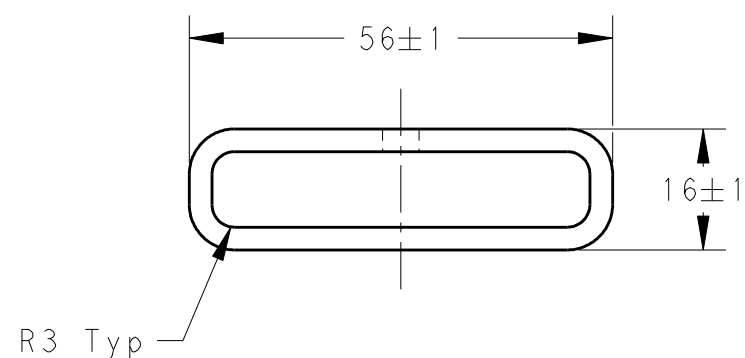
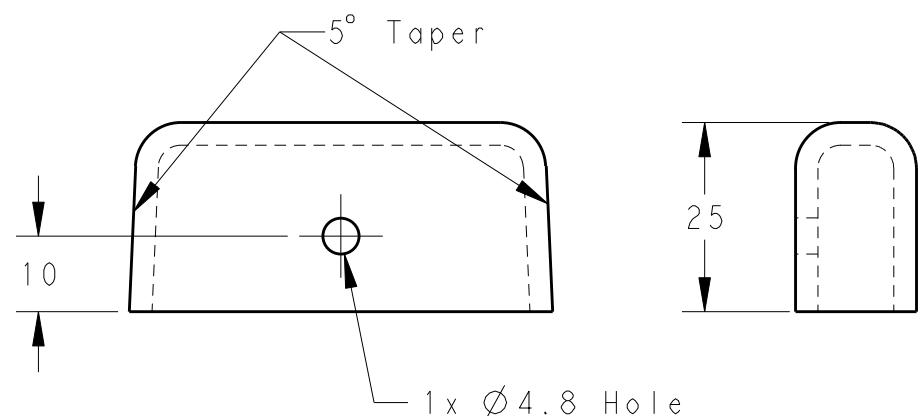
© COPYRIGHT 20 BY TYCO ELECTRONICS CORPORATION ALL RIGHTS RESERVED.

LOC	DIST	REVISIONS			
P	LTR	DESCRIPTION	DATE	DWN	APVD
-	-	SEE SHEET 1	-	-	-


# PLUG PIECE:

# NOTES:

1. Parts shall be kitted 24pcs per box, 12 pairs of covers
2. Parts shall be supplied in the open position
3. Parts shall be kitted with 9 x LVIC-RIV-TS555 PCN: 319851-000, or with Raysulate equivalent part, per pair of covers.
4. 2 x Plugs to be kitted per pair of covers
5. Parts shall be kitted with Installation Instruction: ESD-6065-6/12 per box.



SCALE 3:4  
(Isometric view for external reference only)

THIS DRAWING IS A CONTROLLED DOCUMENT.		DWN Vishnu 26JUN2012	 TE Connectivity	
DIMENSIONS: mm		CHK I Bond 26JUN2012		
TOLERANCES UNLESS OTHERWISE SPECIFIED:		APVD I Bond 26JUN2012	NAME BMOD-LV-050-L11-01(B12)	
<del>           0 PLC ±-            1 PLC ±0.3            2 PLC ±0.13            3 PLC ±0.013            4 PLC ±0.0001            ANGLES ±-         </del>		PRODUCT SPEC -	RESTRICTED TO -	
MATERIAL -		APPLICATION SPEC -	SIZE A3	CAGE CODE 00779
FINISH -		WEIGHT -	DRAWING NO C-5-1899738-5	
		CUSTOMER DRAWING	SCALE 1:1	SHEET 2 OF 2
				REV A