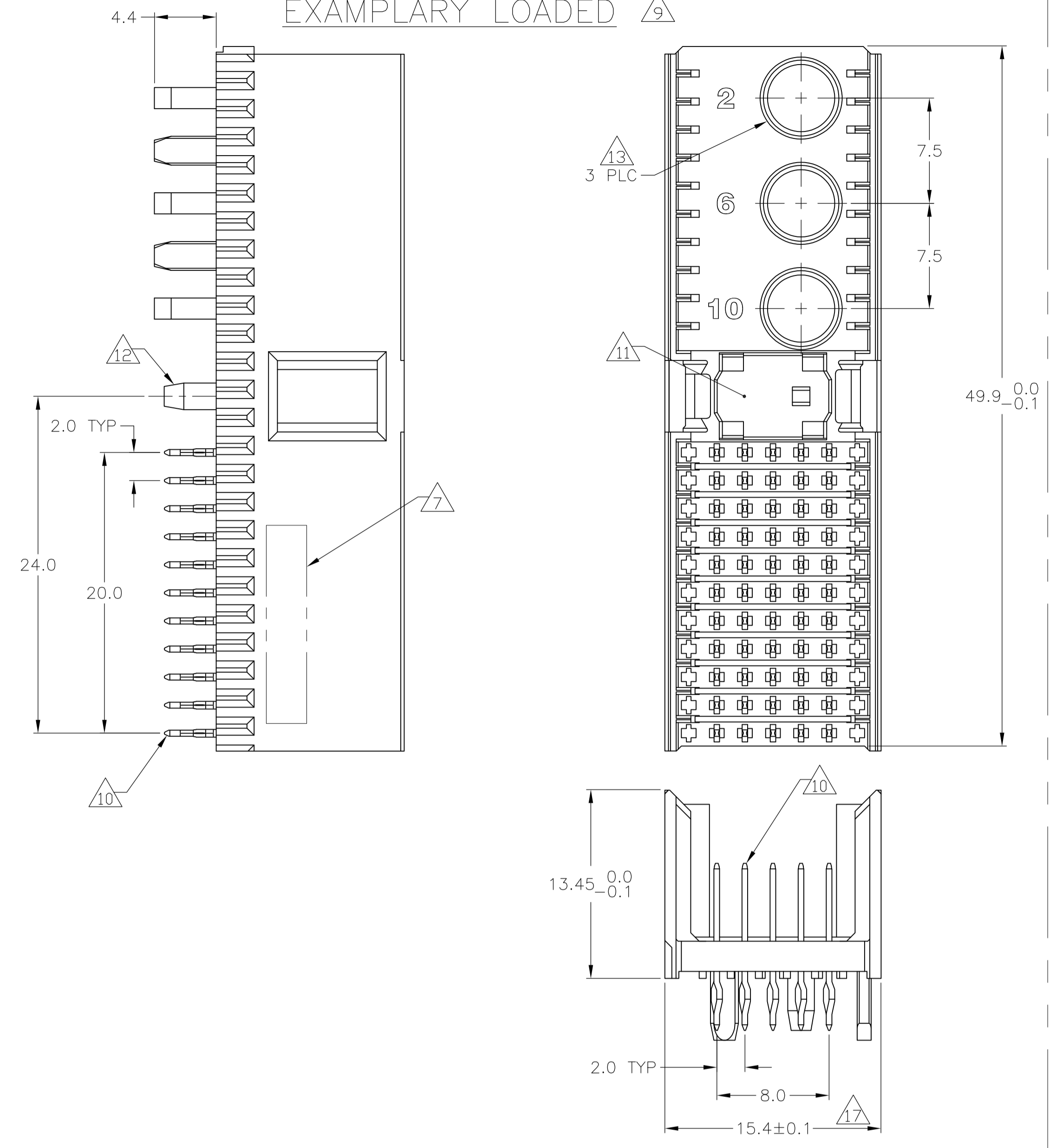
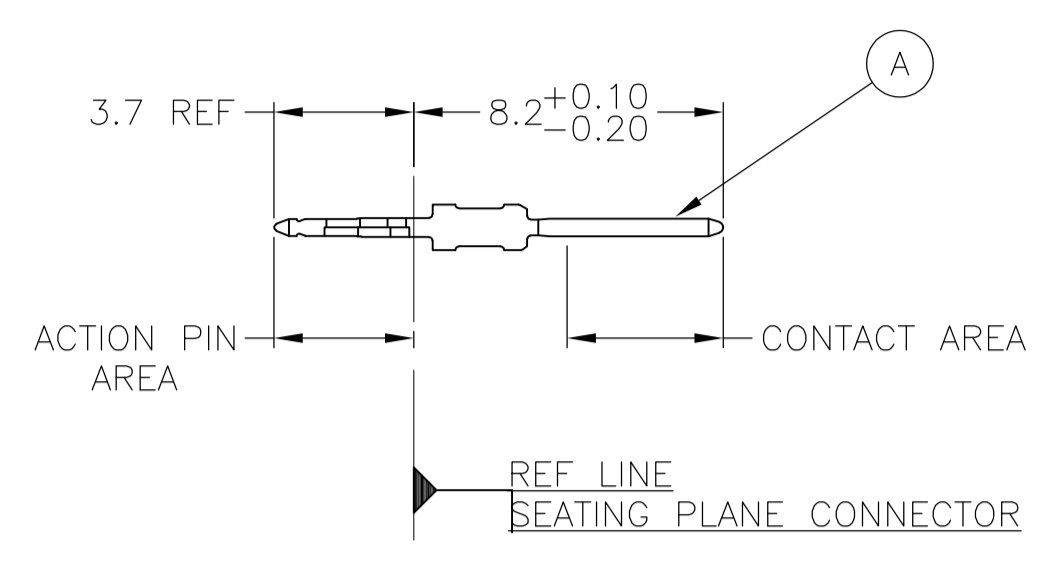


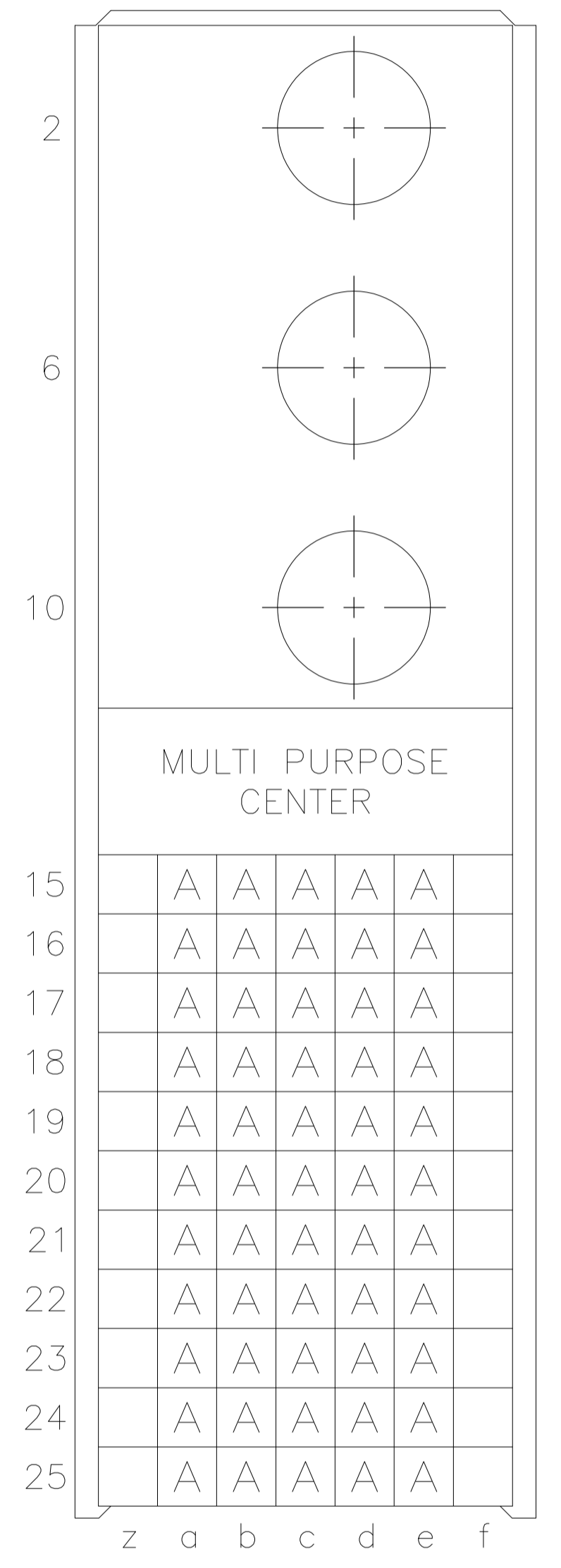
CONNECTOR ASSEMBLY EXAMPLARY LOADED



CONTACT DIMENSIONS SCALE 5:1

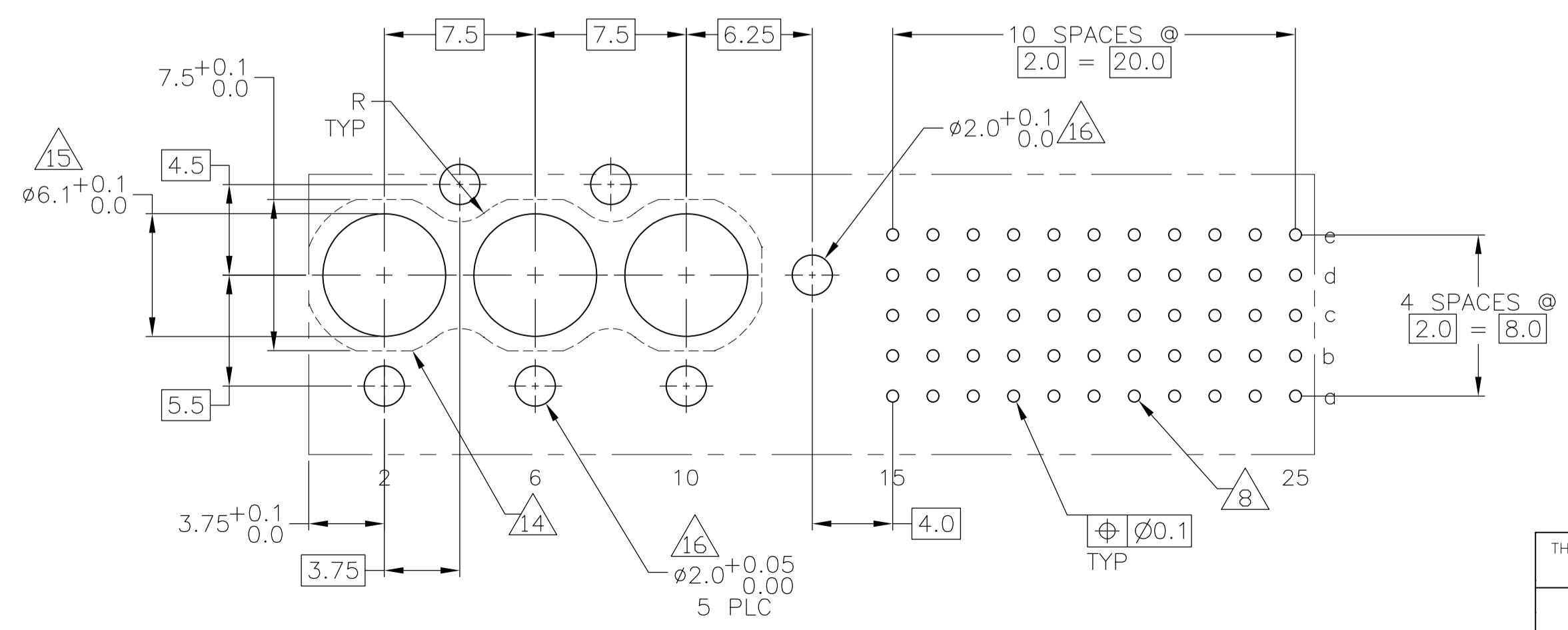


CONTACT LAYOUT



RECOMMENDED PCB-HOLE LAYOUT COMPONENT SIDE SHOWN

PLATED THRU HOLES PARAMETERS REFERENCE APPLICATION SPECIFICATION



2	6	18	1-5100749-9
2	5	18	5100749-9
2	4		5100749-4
2	3		5100749-1
FINISH			PART NUMBER

THIS DRAWING IS A CONTROLLED DOCUMENT.

DIMENSIONS:	TOLERANCES UNLESS OTHERWISE SPECIFIED:	mm	0 PLC ± -	1 PLC ± 0.2	2 PLC ± 0.02	3 PLC ± 0.005	4 PLC ± -	ANGLES ± 0°30'
MATERIAL		FINISH	SEE TABLE					

DWN	B. CARBO	24JAN05		Tyco Electronics Corporation	
CHK	G. SKIPPER	24JAN05		Harrisburg, Pa 17105-3608	
APPD	G. SKIPPER	24JAN05	NAME	MALE ASSEMBLY, Z-PACK 2mm HM, TYPE M	
PRODUCT SPEC	108-19082		SIZE	CAGE CODE	DRAWING NO
APPLICATION SPEC	114-19029		RESTRICTED TO	-	
WEIGHT	-		A1	00779	5100749
CUSTOMER DRAWING			SCALE	4:1	SHEET 1 of 2

THIS DRAWING IS UNPUBLISHED. RELEASED FOR PUBLICATION
 © COPYRIGHT BY TYCO ELECTRONICS CORPORATION. ALL RIGHTS RESERVED.

LOC		DIST		REVISIONS			
IF	LTR	DESCRIPTION	DATE	DRN	APVO		
AD	00	SEE SHEET 1	-	-	-	-	-

- 1 MATERIAL:
CONTACT: PHOSPHOR BRONZE.
HOUSING: GLASS-FILLED POLYESTER.
- 2 GENERAL PLATING SPECIFICATION: UNDERPLATING
(ENTIRE CONTACT): 1.27µm MIN NICKEL AND ACTION
PIN: 0.5µm MIN TIN.
FOR PLATING OF MATING SURFACES SEE APPLICABLE
SPECIFICATION REFERENCE FOR EACH DASH NUMBER.
- 3 CONFORMS TO ALL TESTING ACCORDING TO IEC 61076-4-101
PERFORMANCE LEVEL 2.
- 4 CONFORMS TO ALL TESTING ACCORDING TO IEC 61076-4-101
PERFORMANCE LEVEL 1.
- 5 CONNECTOR TESTED AND QUALIFIED AGAINST TELCORDIA GR-1217-CORE QUALITY LEVEL 3,
CENTRAL OFFICE APPLICATIONS.
- 6 CONNECTOR TESTED AND QUALIFIED AGAINST TELCORDIA GR-1217-CORE QUALITY LEVEL 3,
UNCONTROLLED ENVIROMENT APPLICATIONS.
- 7 CONNECTOR MARKED WITH PART NUMBER AND DATE CODE.
ADDITIONAL CHARACTERS OR MARKINGS, AS WELL AS THE LOCATION
OF THE MARKINGS, MAY BE ADDED FOR TRACEABILITY BASED UPON
MANUFACTURERS DISCRETION.
- 8 PLATED-THROUGH HOLES AT 2x2mm SQUARE GRID
PATTERN DEFINED BY CONTACT LAYOUT.
- 9 FOR ACTUAL PIN LOADING SEE "CONTACT LAYOUT".
- 10 FOR ACTUAL PIN DIMENSIONS SEE "CONTACT DIMENSIONS".
- 11 AREA RESERVED FOR KEYING PART (BASIC P/N 100525).
- 12 POLARIZATION FEATURE.
- 13 CONTACT CAVITIES SUITABLE FOR ø4.8 HIGH CURRENT, HIGH FREQUENCY OR
FIBRE OPTIC CONTACTS AS PER DIN 41626 (SEE ALSO NOTE 14 AND 15).
- 14 PATERN FOR FIBRE OPTIC CONTACTS.
- 15 NOT PLATED THROUGH HOLES. TO BE REPLACED BY ø5.9^{+0.1}_{0.0} PLATED THOUGH
HOLES IF STRAIGHT SOLDER CONTACTS ARE APPLIED.
- 16 NOT PLATED THROUGH HOLES.
- 17 TO BE MEASURED AT BOTTOM OF SHROUD.
- 18 CONNECTOR LUBRICATED WITH TELCORDIA APPROVED LUBRICANT,
TECHNICAL REFERENCE: TR-NWT-001217 ISSUE 1, SEP 1992.

THIS DRAWING IS A CONTROLLED DOCUMENT.		DWN B. CARBO 24JAN05	tyco Tyco Electronics Corporation Harrisburg, Pa 17105-3608	
DIMENSIONS: mm		CHK G. SKIPPER 24JAN05	NAME MALE ASSEMBLY, Z-PACK 2mm HM, TYPE M	
TOLERANCES UNLESS OTHERWISE SPECIFIED:		APPD G. SKIPPER 24JAN05	PRODUCT SPEC 108-19082	
0. PLC ± - 1. PLC ± 0.2 2. PLC ± 0.02 3. PLC ± 0.005 4. PLC ± - ANGLES ± 0'30"		APPLICATION SPEC 114-19029	SIZE A1	CAGE CODE 00779
MATERIAL SEE SHEET 1	FINISH SEE SHEET 1	WEIGHT -	DRAWING NO 5100749	RESTRICTED TO -
CUSTOMER DRAWING		SCALE 4:1	SHEET 2 OF 2	REV C