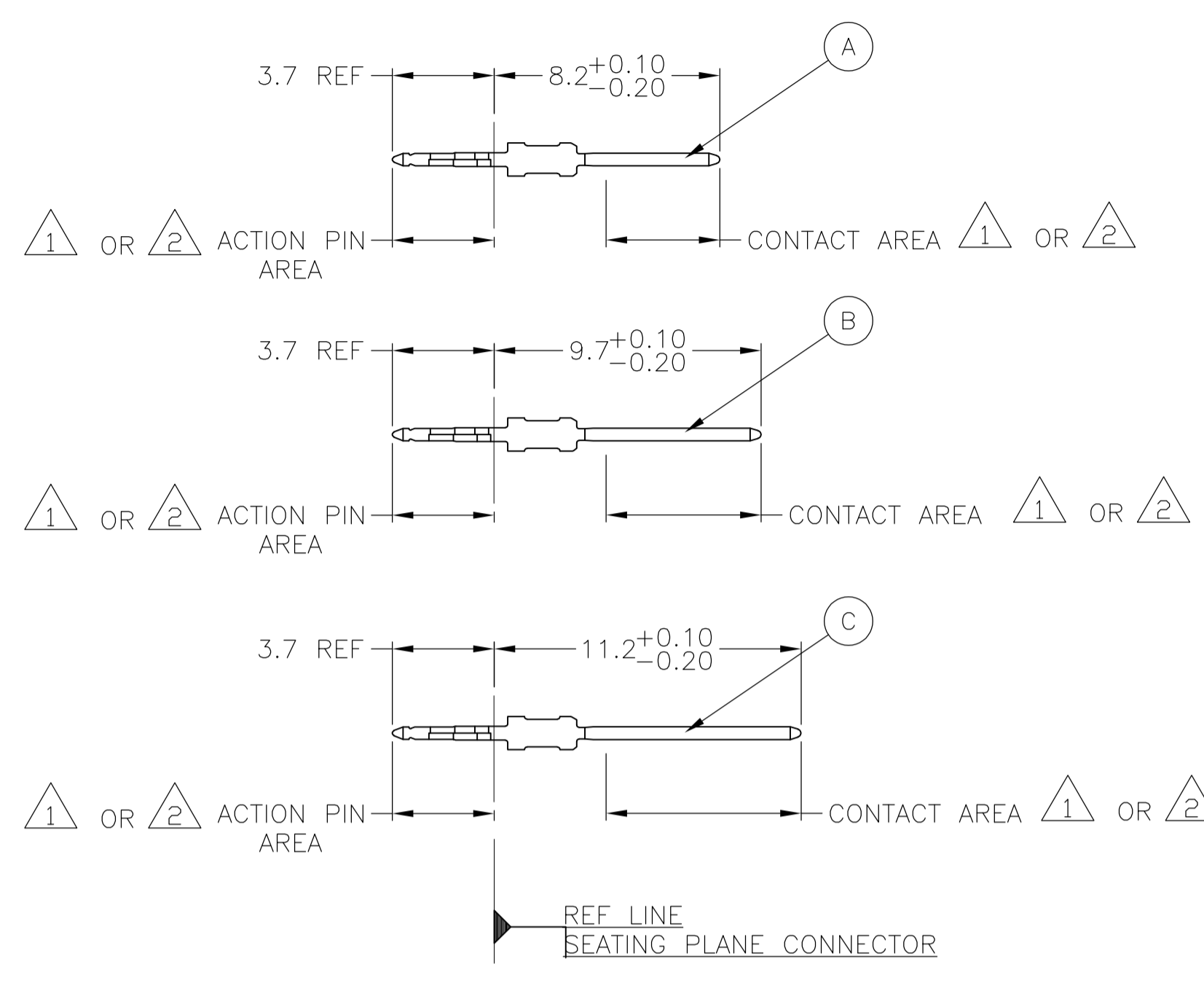


- 1 CONTACT FINISH:
CONTACT AREA: 1.27µm MIN GOLD PER ASTM B488 OVER 1.3µm MIN NICKEL PER SAE-AMS-QQ-N-290.
ACTION PIN: 0.5µm MIN TIN PER ASTM B545 OVER 1.3µm MIN NICKEL PER SAE-AMS-QQ-N-290.
- 2 CONTACT FINISH:
CONTACT AREA: 0.8µm MIN GOLD PER ASTM B488 OVER 1.3µm MIN NICKEL PER SAE-AMS-QQ-N-290.
ACTION PIN: 0.5µm MIN TIN PER ASTM B545 OVER 1.3µm MIN NICKEL PER SAE-AMS-QQ-N-290.
- 3 MATERIAL:
CONTACT: PHOSPHOR BRONZE.
HOUSING: GLASS-FILLED POLYESTER.
- 4 CONNECTOR MARKED WITH PART NUMBER AND DATE CODE. ADDITIONAL CHARACTERS OR MARKINGS, AS WELL AS THE LOCATION OF THE MARKINGS, MAY BE ADDED FOR TRACEABILITY BASED UPON MANUFACTURERS DISCRETION.
- 5 PLATED-THROUGH HOLES AT 2x2mm SQUARE GRID PATTERN DEFINED BY CONTACT LAYOUT.
- 6 FOR ACTUAL PIN LOADING SEE "CONTACT LAYOUT".
- 7 FOR ACTUAL PIN DIMENSIONS SEE "CONTACT DIMENSIONS".
- 8 AREA RESERVED FOR KEYING PART (BASIC P/N 100525)
- 9 POLARIZATION FEATURE.
- 10 TO BE MEASURED AT BOTTOM OF SHROUD.
- 11 CONNECTOR LUBRICATED WITH BELCORE APPROVED LUBRICANT, TECHNICAL REFERENCE: TR-NWT-001217 ISSUE 1, SEP 1992.

CONTACT DIMENSIONS
SCALE 5:1

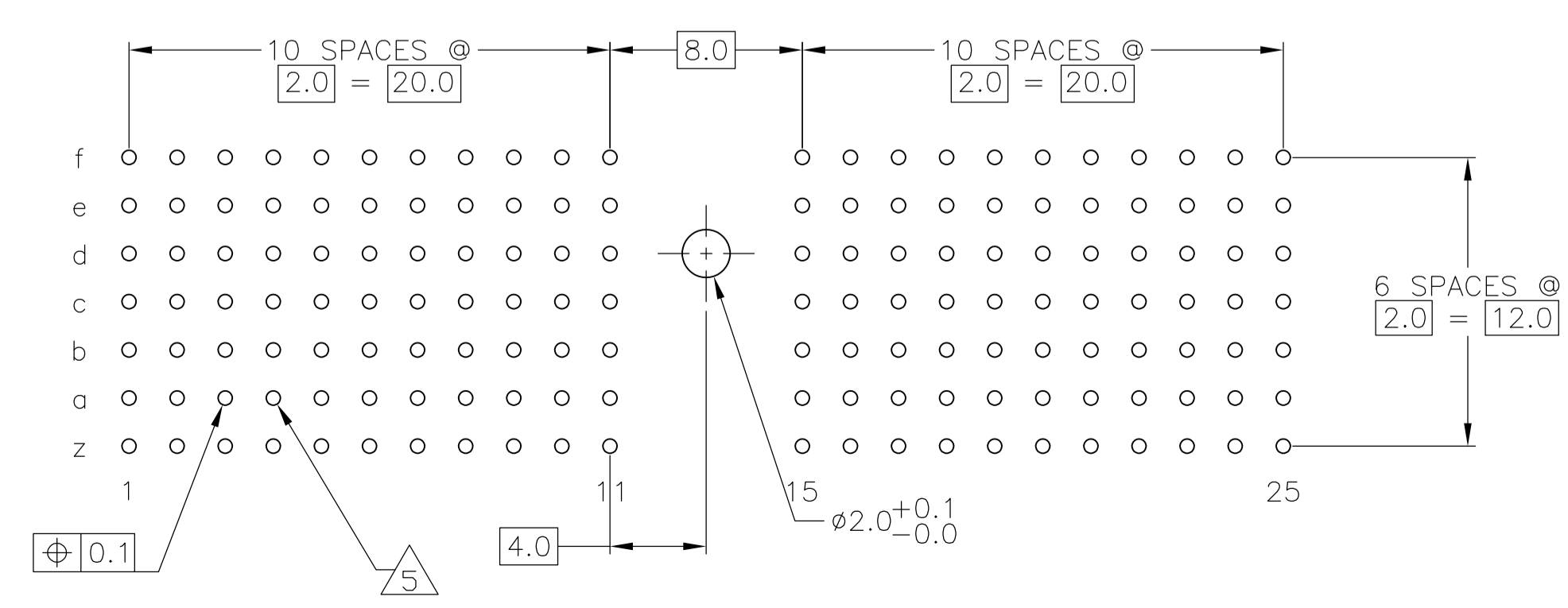


CONTACT LAYOUT

	z	a	b	c	d	e	f
1	C	A	A	B	A	A	C
2	C	A	A	B	A	A	C
3	C	A	A	B	A	A	C
4	C	A	A	B	A	A	C
5	C	A	A	B	A	A	C
6	C	A	A	B	A	A	C
7	C	A	A	B	A	A	C
8	C	A	A	B	A	A	C
9	C	A	A	B	A	A	C
10	C	A	A	B	A	A	C
11	C	A	A	B	A	A	C
MULTI PURPOSE CENTER							
15	C	A	A	B	A	A	C
16	C	A	A	B	A	A	C
17	C	A	A	B	A	A	C
18	C	A	A	B	A	A	C
19	C	A	A	B	A	A	C
20	C	A	A	B	A	A	C
21	C	A	A	B	A	A	C
22	C	A	A	B	A	A	C
23	C	A	A	B	A	A	C
24	C	A	A	B	A	A	C
25	C	A	A	B	A	A	C

RECOMMENDED PCB-HOLE LAYOUT
COMPONENT SIDE SHOWN

PLATED THRU HOLES PARAMETERS
REFERENCE APPLICATION SPECIFICATION



1	11	1-5106717-9
2	11	5106717-9
1		5106717-4
2		5106717-1
FINISH		PART NUMBER

THIS DRAWING IS A CONTROLLED DOCUMENT.

DIMENSIONS: mm	TOLERANCES UNLESS OTHERWISE SPECIFIED:	DIN B CARBO 27APR05	tyco Electronics	Tyco Electronics Corporation Harrisburg, PA 17105-3608
0. PLC ± -	1. PLC ± 0.1	CIK G SKIPPER 27APR05	NAME	MALE ASSEMBLY, Z-PACK 2mm HM, TYPE A
2. PLC ± -	3. PLC ± -	APVD G SKIPPER 27APR05	PRODUCT SPEC	108-19082
4. PLC ± -	ANGLES ± -		APPLICATION SPEC	114-19029
MATERIAL 3	FINISH SEE TABLE	WEIGHT	SIZE CASE CODE DRAWING NO	RESTRICTED TO
			A1 00779 C=5106717	
		CUSTOMER DRAWING	SCALE 4:1 SHEET 1 OF 1 REV B	