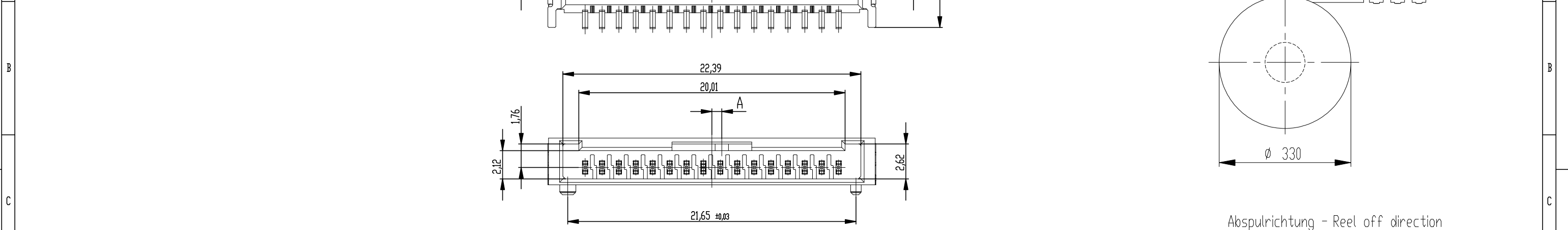
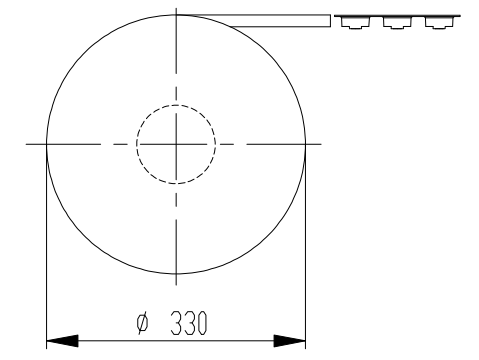
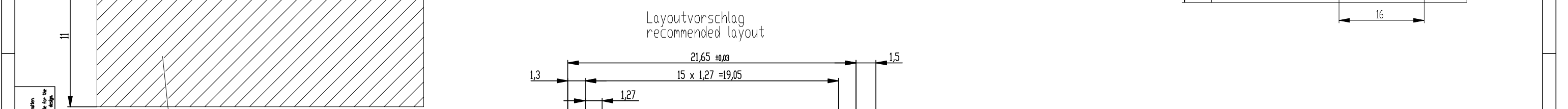
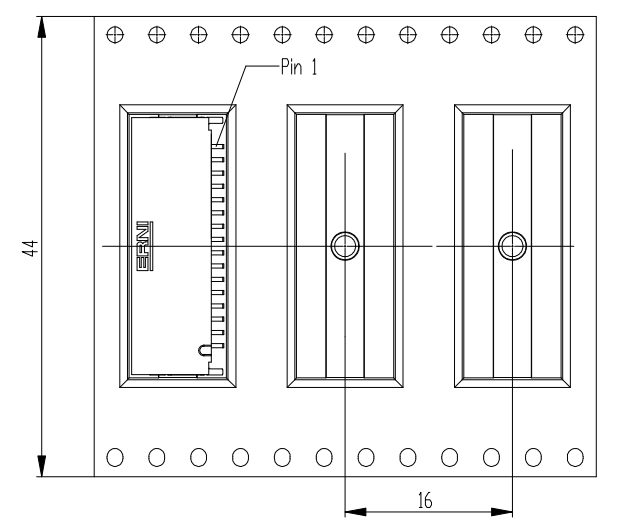
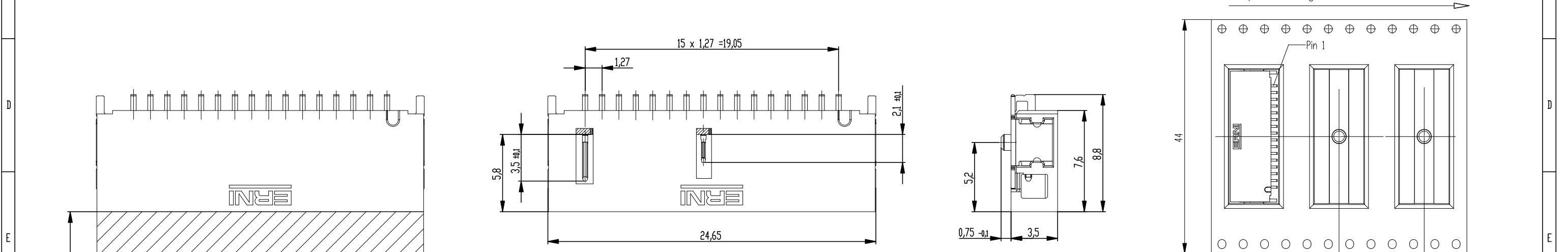


Verpackt im Gurt in Anlehnung an DIN IEC 60286-3
 tape on reel packaging according to DIN IEC 60286-3
 Verpackungseinheit: 900 Stück
 packaging unit: 900 pcs



Abspulrichtung - Reel off direction



Layoutvorschlag
 recommended layout

Sperrfläche für Leiterbahnen gültig bei Verwendung von
 Gegenstecker Federleiste 90° in IDC Ausführung
 Restricted area for conductors valid for use by mating
 female connector 90° in IDC version

Anforderungsstufe 1
 performance level 1
 Kontaktbereich vergoldet
 mating area gold plating
 Anschlussbereich verzinkt 4-6 µm
 terminal area 4-6 µm tin plating
 Koplanarität der Anschlüsse ≤ 0,1 mm
 coplanarity area of termination ≤ 0,1 mm

This drawing is a controlled document. All changes to this drawing must be approved by the responsible authority. The general version of this drawing has been defined for commerce only. In case of any deviation the English version shall prevail.

515107-E		rot red	2,25	
515106-E		grün green	2,25	
515105-E		blau blue	0,75	
515104-E		schwarz black	0,75	
Ident-Nr. part-no.	Codierung coding	Farbe colour	A	Bemerkung remark

Dimension no.	Tolerances Din. For Information ISO 8015	Scale 5:1 Material
Customer drawing: THIS DRAWING IS A CONTROLLED DOCUMENT.	Subject to modification without prior notice. Drawing will not be updated.	ERNI-MicroBridge Male Angeled SMT 16-pin CPA Pin Pos. 8 ©= 515103-E
Index	23.09.2020 Date	Class MCBA