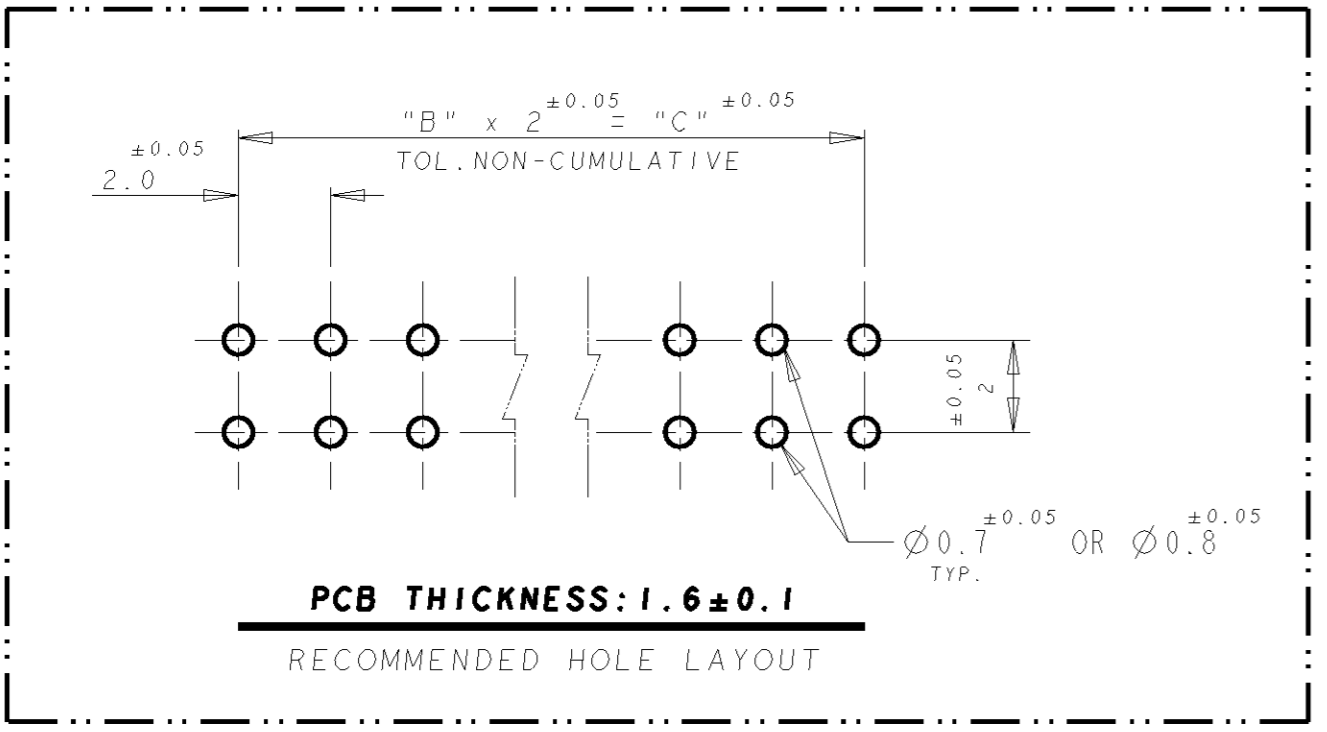
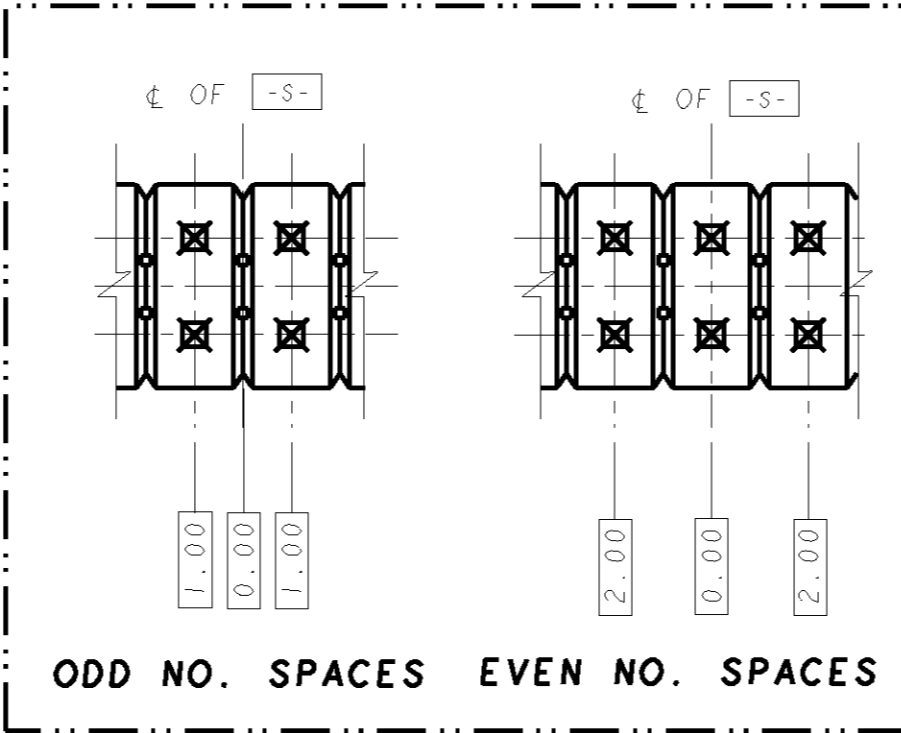
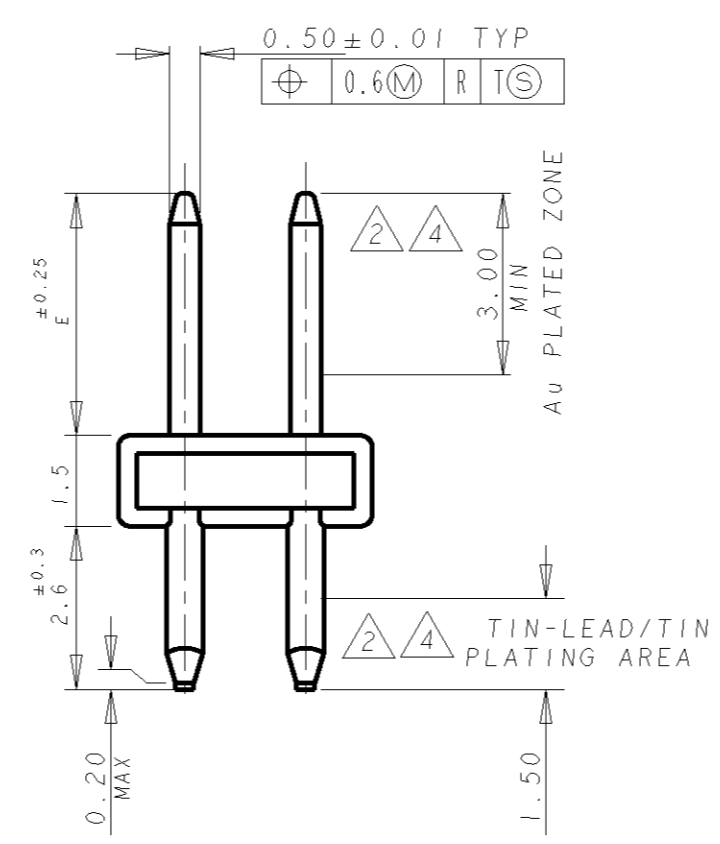
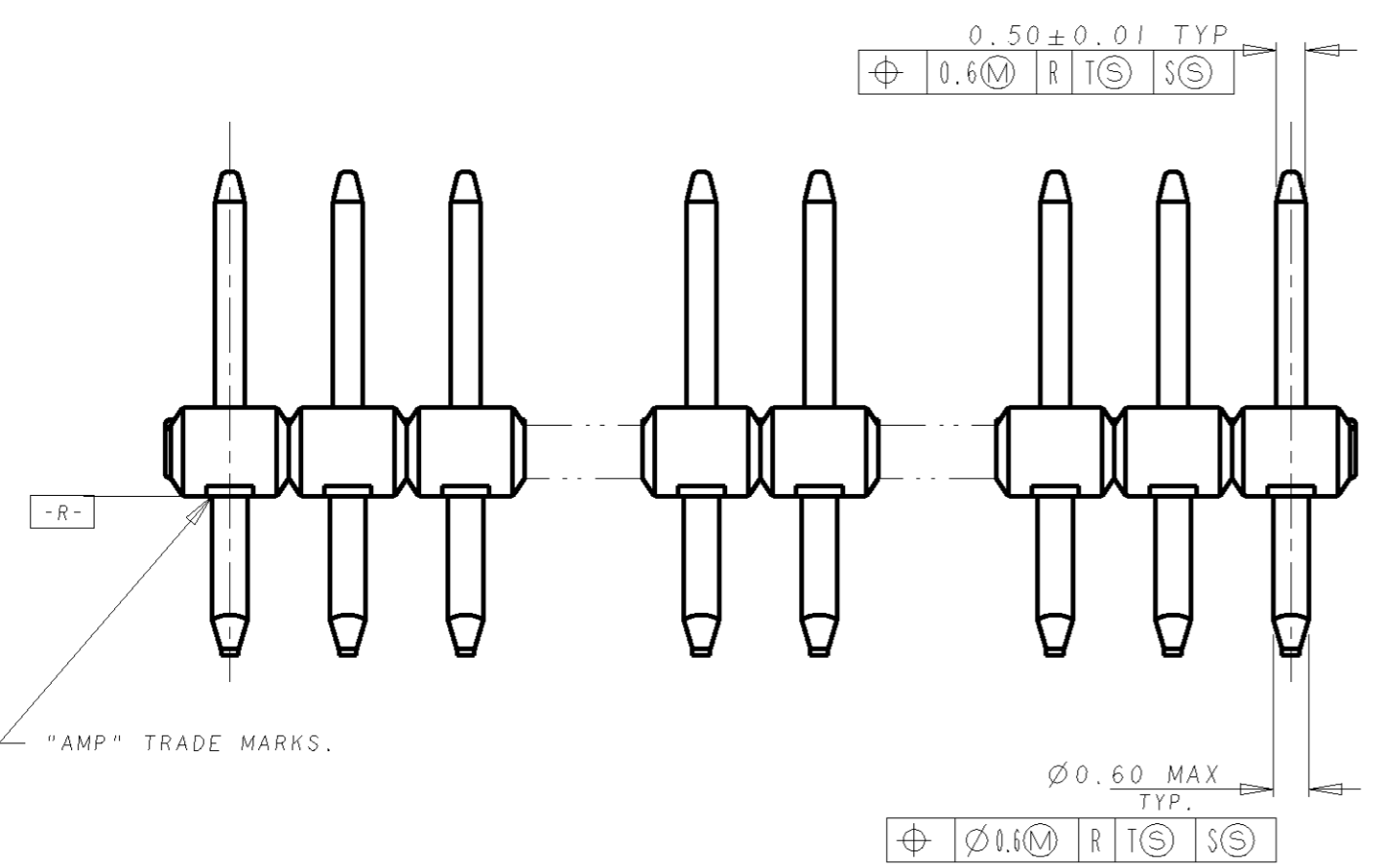
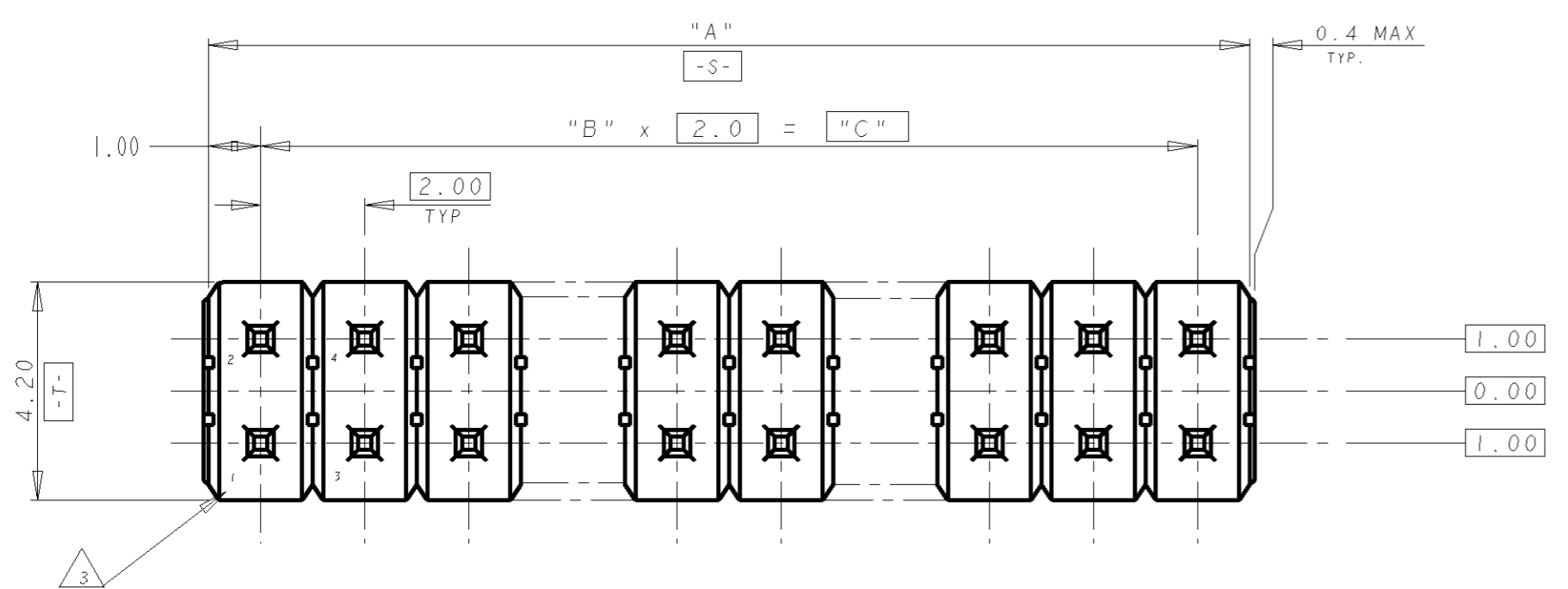


THIS DRAWING IS UNPUBLISHED. RELEASED FOR PUBLICATION
 © COPYRIGHT BY ALL RIGHTS RESERVED.

| LOC | | DIST | | REVISIONS | | | |
|-----|-----|---------------------------|---------|-----------|------|--|--|
| P | LTR | DESCRIPTION | DATE | DWN | APVD | | |
| P | | REVISED PER ECO-11-005139 | 19MAR11 | RK | HMR | | |

- NOTES:
- 1 MATERIAL HOUSING: THERMOPLASTIC, UL 94V-0.
POST : BRASS
 - 2 FINISH CONTACT AREA, "D" MIN Au
ON NICKEL 0.0013 MIN ALL OVER
POST TINE: 0.002 MIN MATTE TIN
 - 3 POST POSITION NUMBERS FOR REFERENCE ONLY.



GENERAL TOLERANCE

| | |
|-----------|---------|
| 0 <= 10 | : ±0.2 |
| 10 <= 30 | : ±0.25 |
| 30 <= 100 | : ±0.3 |
| ANGLES | : ±3° |

| | | | | | | | | |
|-------|------|---------|----|----|----|----|----|----|
| NIL | 4.00 | 0.0002 | 4 | 2 | 6 | 6 | 5- | -8 |
| 17 | 4.00 | 0.00076 | 24 | 12 | 26 | 26 | 5- | -7 |
| 9, 10 | 5.00 | 0.00076 | 24 | 12 | 26 | 26 | 5- | -6 |
| 1, 14 | | 0.00076 | 14 | 7 | 16 | 16 | 5- | -5 |
| 1, 12 | | 0.00076 | 10 | 5 | 12 | 12 | 5- | -4 |
| NIL | | 0.00076 | -- | -- | 2 | 2 | 5- | -3 |
| 25 | | 0.00076 | 48 | 24 | 50 | 50 | 5- | -2 |
| 25 | | 0.0002 | 48 | 24 | 50 | 50 | 5- | -1 |
| | | | 48 | 24 | 50 | 50 | 4- | -8 |
| | | | 46 | 23 | 48 | 48 | 4- | -7 |
| | | | 44 | 22 | 46 | 46 | 4- | -6 |
| | | | 42 | 21 | 44 | 44 | 4- | -5 |
| | | 0.00076 | 34 | 17 | 36 | 36 | 4- | -1 |
| | | | 48 | 24 | 50 | 50 | 3- | -9 |
| | | | 42 | 21 | 44 | 44 | 3- | -6 |
| | | 0.0002 | 34 | 17 | 36 | 36 | 3- | -2 |
| | | | 28 | 14 | 30 | 30 | 2- | -9 |
| | | | 22 | 11 | 24 | 24 | 2- | -6 |
| | | | 20 | 10 | 22 | 22 | 2- | -5 |
| | | | 18 | 9 | 20 | 20 | 2- | -4 |
| | | | 16 | 8 | 18 | 18 | 2- | -3 |
| | | | 14 | 7 | 16 | 16 | 2- | -2 |
| | | | 12 | 6 | 14 | 14 | 2- | -1 |
| | | | 10 | 5 | 12 | 12 | 2- | -0 |
| | | | 8 | 4 | 10 | 10 | 1- | -9 |
| | | | 6 | 3 | 8 | 8 | 1- | -8 |
| | | | 4 | 2 | 6 | 6 | 1- | -7 |
| | | 0.00076 | 2 | 1 | 4 | 4 | 1- | -6 |
| | | | 30 | 15 | 32 | 32 | 1- | -5 |
| | | | 28 | 14 | 30 | 30 | 1- | -4 |
| | | | 26 | 13 | 28 | 28 | 1- | -3 |
| | | | 22 | 11 | 24 | 24 | 1- | -1 |
| | | | 20 | 10 | 22 | 22 | 1- | -0 |
| | | | 18 | 9 | 20 | 20 | | -9 |
| | | | 16 | 8 | 18 | 18 | | -8 |
| | | | 14 | 7 | 16 | 16 | | -7 |
| | | | 12 | 6 | 14 | 14 | | -6 |
| | | | 10 | 5 | 12 | 12 | | -5 |
| | | | 8 | 4 | 10 | 10 | | -4 |
| | | | 6 | 3 | 8 | 8 | | -3 |
| | | | 4 | 2 | 6 | 6 | | -2 |
| | | | 2 | 1 | 4 | 4 | | -1 |
| | | | 30 | 15 | 32 | 32 | | -0 |
| | | | 28 | 14 | 30 | 30 | | -1 |
| | | | 26 | 13 | 28 | 28 | | -2 |
| | | | 22 | 11 | 24 | 24 | | -3 |
| | | | 20 | 10 | 22 | 22 | | -4 |
| | | | 18 | 9 | 20 | 20 | | -5 |
| | | | 16 | 8 | 18 | 18 | | -6 |
| | | | 14 | 7 | 16 | 16 | | -7 |
| | | | 12 | 6 | 14 | 14 | | -8 |
| | | | 10 | 5 | 12 | 12 | | -9 |
| | | | 8 | 4 | 10 | 10 | | -0 |
| | | | 6 | 3 | 8 | 8 | | -1 |
| | | | 4 | 2 | 6 | 6 | | -2 |
| | | | 2 | 1 | 4 | 4 | | -3 |
| | | | 30 | 15 | 32 | 32 | | -4 |
| | | | 28 | 14 | 30 | 30 | | -5 |
| | | | 26 | 13 | 28 | 28 | | -6 |
| | | | 22 | 11 | 24 | 24 | | -7 |
| | | | 20 | 10 | 22 | 22 | | -8 |
| | | | 18 | 9 | 20 | 20 | | -9 |
| | | | 16 | 8 | 18 | 18 | | -0 |
| | | | 14 | 7 | 16 | 16 | | -1 |
| | | | 12 | 6 | 14 | 14 | | -2 |
| | | | 10 | 5 | 12 | 12 | | -3 |
| | | | 8 | 4 | 10 | 10 | | -4 |
| | | | 6 | 3 | 8 | 8 | | -5 |
| | | | 4 | 2 | 6 | 6 | | -6 |
| | | | 2 | 1 | 4 | 4 | | -7 |
| | | | 30 | 15 | 32 | 32 | | -8 |
| | | | 28 | 14 | 30 | 30 | | -9 |
| | | | 26 | 13 | 28 | 28 | | -0 |
| | | | 22 | 11 | 24 | 24 | | -1 |
| | | | 20 | 10 | 22 | 22 | | -2 |
| | | | 18 | 9 | 20 | 20 | | -3 |
| | | | 16 | 8 | 18 | 18 | | -4 |
| | | | 14 | 7 | 16 | 16 | | -5 |
| | | | 12 | 6 | 14 | 14 | | -6 |
| | | | 10 | 5 | 12 | 12 | | -7 |
| | | | 8 | 4 | 10 | 10 | | -8 |
| | | | 6 | 3 | 8 | 8 | | -9 |
| | | | 4 | 2 | 6 | 6 | | -0 |
| | | | 2 | 1 | 4 | 4 | | -1 |
| | | | 30 | 15 | 32 | 32 | | -2 |
| | | | 28 | 14 | 30 | 30 | | -3 |
| | | | 26 | 13 | 28 | 28 | | -4 |
| | | | 22 | 11 | 24 | 24 | | -5 |
| | | | 20 | 10 | 22 | 22 | | -6 |
| | | | 18 | 9 | 20 | 20 | | -7 |
| | | | 16 | 8 | 18 | 18 | | -8 |
| | | | 14 | 7 | 16 | 16 | | -9 |
| | | | 12 | 6 | 14 | 14 | | -0 |
| | | | 10 | 5 | 12 | 12 | | -1 |
| | | | 8 | 4 | 10 | 10 | | -2 |
| | | | 6 | 3 | 8 | 8 | | -3 |
| | | | 4 | 2 | 6 | 6 | | -4 |
| | | | 2 | 1 | 4 | 4 | | -5 |
| | | | 30 | 15 | 32 | 32 | | -6 |
| | | | 28 | 14 | 30 | 30 | | -7 |
| | | | 26 | 13 | 28 | 28 | | -8 |
| | | | 22 | 11 | 24 | 24 | | -9 |
| | | | 20 | 10 | 22 | 22 | | -0 |
| | | | 18 | 9 | 20 | 20 | | -1 |
| | | | 16 | 8 | 18 | 18 | | -2 |
| | | | 14 | 7 | 16 | 16 | | -3 |
| | | | 12 | 6 | 14 | 14 | | -4 |
| | | | 10 | 5 | 12 | 12 | | -5 |
| | | | 8 | 4 | 10 | 10 | | -6 |
| | | | 6 | 3 | 8 | 8 | | -7 |
| | | | 4 | 2 | 6 | 6 | | -8 |
| | | | 2 | 1 | 4 | 4 | | -9 |
| | | | 30 | 15 | 32 | 32 | | -0 |
| | | | 28 | 14 | 30 | 30 | | -1 |
| | | | 26 | 13 | 28 | 28 | | -2 |
| | | | 22 | 11 | 24 | 24 | | -3 |
| | | | 20 | 10 | 22 | 22 | | -4 |
| | | | 18 | 9 | 20 | 20 | | -5 |
| | | | 16 | 8 | 18 | 18 | | -6 |
| | | | 14 | 7 | 16 | 16 | | -7 |
| | | | 12 | 6 | 14 | 14 | | -8 |
| | | | 10 | 5 | 12 | 12 | | -9 |
| | | | 8 | 4 | 10 | 10 | | -0 |
| | | | 6 | 3 | 8 | 8 | | -1 |
| | | | 4 | 2 | 6 | 6 | | -2 |
| | | | 2 | 1 | 4 | 4 | | -3 |
| | | | 30 | 15 | 32 | 32 | | -4 |
| | | | 28 | 14 | 30 | 30 | | -5 |
| | | | 26 | 13 | 28 | 28 | | -6 |
| | | | 22 | 11 | 24 | 24 | | -7 |
| | | | 20 | 10 | 22 | 22 | | -8 |
| | | | 18 | 9 | 20 | 20 | | -9 |
| | | | 16 | 8 | 18 | 18 | | -0 |
| | | | 14 | 7 | 16 | 16 | | -1 |
| | | | 12 | 6 | 14 | 14 | | -2 |
| | | | 10 | 5 | 12 | 12 | | -3 |
| | | | 8 | 4 | 10 | 10 | | -4 |
| | | | 6 | 3 | 8 | 8 | | -5 |
| | | | 4 | 2 | 6 | 6 | | -6 |
| | | | 2 | 1 | 4 | 4 | | -7 |
| | | | 30 | 15 | 32 | 32 | | -8 |
| | | | 28 | 14 | 30 | 30 | | -9 |
| | | | 26 | 13 | 28 | 28 | | -0 |
| | | | 22 | 11 | 24 | 24 | | -1 |
| | | | 20 | 10 | 22 | 22 | | -2 |
| | | | 18 | 9 | 20 | 20 | | -3 |
| | | | 16 | 8 | 18 | 18 | | -4 |
| | | | 14 | 7 | 16 | 16 | | -5 |
| | | | 12 | 6 | 14 | 14 | | -6 |
| | | | 10 | 5 | 12 | 12 | | -7 |
| | | | 8 | 4 | 10 | 10 | | -8 |
| | | | 6 | 3 | 8 | 8 | | -9 |
| | | | 4 | 2 | 6 | 6 | | -0 |
| | | | 2 | 1 | 4 | 4 | | -1 |
| | | | 30 | 15 | 32 | 32 | | -2 |
| | | | 28 | 14 | 30 | 30 | | -3 |
| | | | 26 | 13 | 28 | 28 | | -4 |
| | | | 22 | 11 | 24 | 24 | | -5 |
| | | | 20 | 10 | 22 | 22 | | -6 |
| | | | 18 | 9 | 20 | 20 | | -7 |
| | | | 16 | 8 | 18 | 18 | | -8 |
| | | | 14 | 7 | 16 | 16 | | -9 |
| | | | 12 | 6 | 14 | 14 | | -0 |
| | | | 10 | 5 | 12 | 12 | | -1 |
| | | | 8 | 4 | 10 | 10 | | -2 |
| | | | 6 | 3 | 8 | 8 | | -3 |
| | | | 4 | 2 | 6 | 6 | | -4 |
| | | | 2 | 1 | 4 | 4 | | -5 |
| | | | 30 | 15 | 32 | 32 | | -6 |
| | | | 28 | 14 | 30 | 30 | | -7 |
| | | | 26 | 13 | 28 | 28 | | -8 |
| | | | 22 | 11 | 24 | 24 | | -9 |
| | | | 20 | 10 | 22 | 22 | | -0 |
| | | | 18 | 9 | 20 | 20 | | -1 |
| | | | 16 | 8 | 18 | 18 | | -2 |
| | | | 14 | 7 | 16 | 16 | | -3 |
| | | | 12 | 6 | 14 | 14 | | -4 |
| | | | 10 | 5 | 12 | 12 | | -5 |
| | | | 8 | 4 | 10 | 10 | | -6 |
| | | | 6 | 3 | 8 | 8 | | -7 |
| | | | 4 | 2 | 6 | 6 | | -8 |
| | | | 2 | 1 | 4 | 4 | | -9 |
| | | | 30 | 15 | 32 | 32 | | -0 |
| | | | 28 | 14 | 30 | 30 | | -1 |
| | | | 26 | 13 | 28 | 28 | | -2 |
| | | | 22 | 11 | 24 | 24 | | -3 |
| | | | 20 | 10 | 22 | 22 | | -4 |
| | | | 18 | 9 | 20 | 20 | | -5 |
| | | | 16 | 8 | 18 | 18 | | -6 |
| | | | 14 | 7 | 16 | 16 | | -7 |
| | | | 12 | 6 | 14 | 14 | | -8 |
| | | | 10 | 5 | 12 | 12 | | -9 |
| | | | 8 | 4 | 10 | 10 | | -0 |
| | | | 6 | 3 | 8 | 8 | | -1 |
| | | | 4 | 2 | 6 | 6 | | -2 |
| | | | 2 | 1 | 4 | 4 | | -3 |
| | | | 30 | 15 | 32 | 32 | | -4 |
| | | | 28 | 14 | 30 | 30 | | -5 |
| | | | 26 | 13 | 28 | 28 | | -6 |
| | | | 22 | 11 | 24 | 24 | | -7 |
| | | | 20 | 10 | 22 | 22 | | -8 |
| | | | 18 | 9 | 20 | 20 | | -9 |
| | | | 16 | 8 | 18 | 18 | | -0 |
| | | | 14 | 7 | 16 | 16 | | -1 |
| | | | 12 | 6 | | | | |