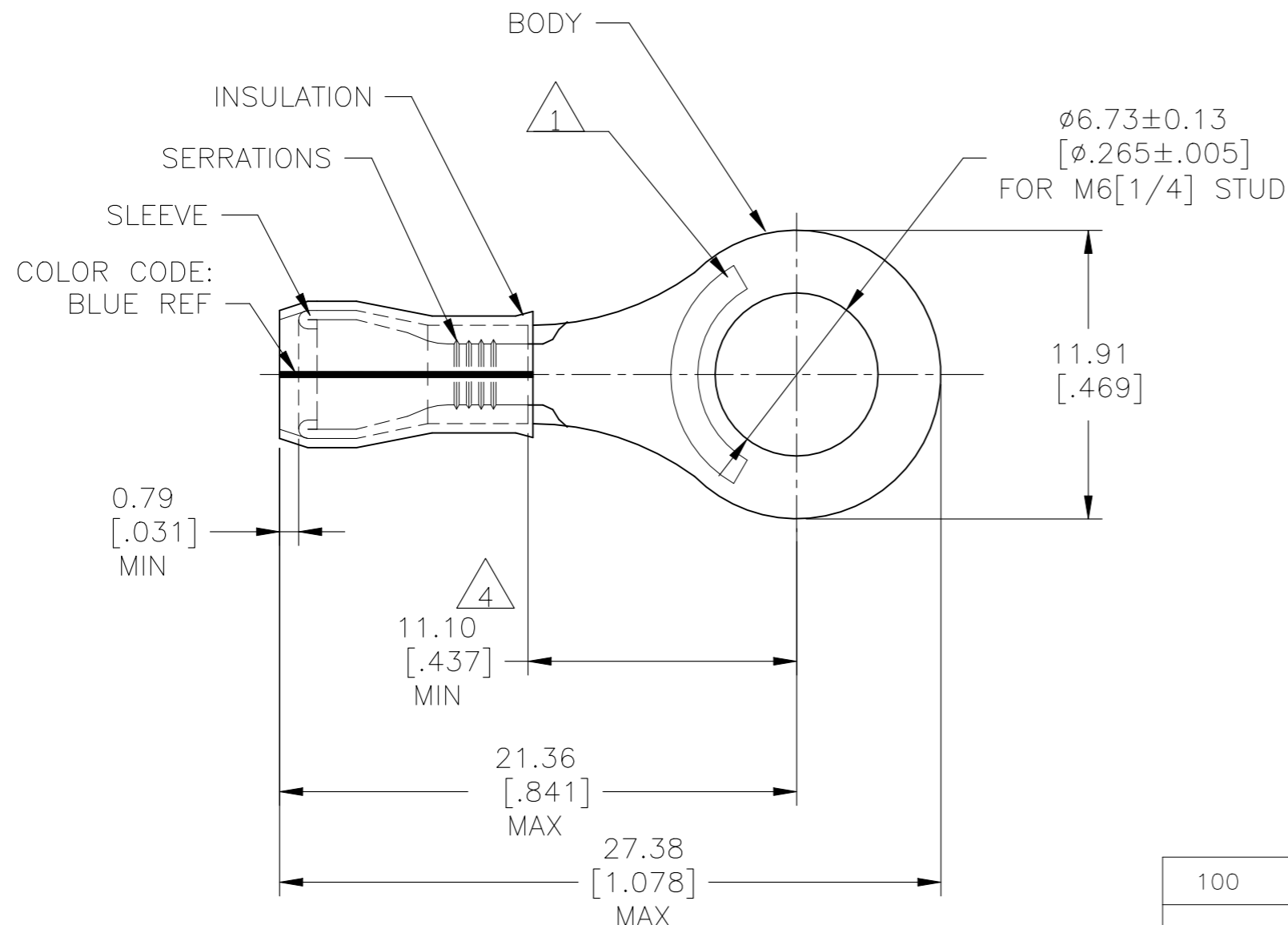


© - TE Connectivity. All Rights Reserved.

REVISIONS

| P | LTR | DESCRIPTION | DATE | DWN | APVD |
|---|-----|---------------------------|-----------|-----|------|
| | R4 | REVISED PER ECN-22-156403 | 06JUN2022 | RK | CSD |

- 1 STAMP AMP 16-14* APPROX AS SHOWN
- 2 WIRE INSULATION DIA: 2.67-3.81[.105-.150]
- 3 TONGUE MATERIAL THK: 0.79±0.05[.031±.002]
- 4 APPLIES FROM EDGE OF METAL WIRE BARREL TO CENTER OF STUD HOLE.
- 5 MEETS M7928/4-154, CLASS 1
MEETS M7928/13-154, CLASS 1
- 6 NOTE DELETED



| | | | |
|------|------------------|---|-----------|
| 100 | LOOSE PIECE, BOX | SAME AS 53419-1 | 8-53419-1 |
| 1000 | LOOSE PIECE | BODY: COPPER PER ASTM B152 TIN/LEAD (93-7) PLATE PER ASTM B545 (3% MIN LEAD CONTENT) SLEEVE: COPPER PER ASTM B152 TIN/LEAD (93-7) PLATE PER ASTM B545 (3% MIN LEAD CONTENT) INSULATION: PVF2, COLOR-NATURAL | 53419-1 |
| QTY | PACKAGE TYPE | MATERIAL & FINISH | PART NO |

| | | | | | | | | | | | |
|--|--|---|--|--|----------------------------------|---|-----------------|------------|--------------------|-----------------------|--------------------|
| AMP INCORPORATED CUSTOMER SERVICE SYSTEMS | | MAX RECOMMENDED OPERATING TEMPERATURE: 150°C [302°F] MAX | THIS DRAWING IS A CONTROLLED DOCUMENT. | | DWN JR RUTH 25OCT07 | TE Connectivity | | | | | |
| FOR ADDITIONAL PRODUCT INFORMATION OR COPIES OF DRAWINGS AND TECHNICAL DOCUMENTS | PRODUCT INFORMATION CENTER 1-800-522-6752 | VOLTAGE RATING: N/A | DIMENSIONS: mm [INCHES] | TOLERANCES UNLESS OTHERWISE SPECIFIED: | CHK T MICHIELUTTI 25OCT07 | | | | | NAME | |
| FOR APPLICATION TOOLING INFORMATION | TOOLING ASSISTANCE CENTER 1-800-722-1111 | CIRCULAR MIL AREA: 1.04-2.62mm² [2,050-5,180] STRANDED | | 0 PLC ± - 1 PLC ± - 2 PLC ± - 3 PLC ± 0.20[.008] 4 PLC ± - ANGLES ± - | APVD T MICHIELUTTI 25OCT07 | TERMINAL, RING TONGUE, PVF2 , P.I.D.G. WIRE SIZE: 16-14 AWG | | | | | |
| FOR ORDER ENTRY | 1-800-526-5142 | THIS DRAWING IS A CONTROLLED DOCUMENT FOR AMP INCORPORATED. IT IS SUBJECT TO CHANGE AND THE CONTROLLING ENGINEERING ORGANIZATION SHOULD BE CONTACTED FOR THE LATEST REVISION. | MATERIAL SEE TABLE | FINISH SEE TABLE | PRODUCT SPEC - | APPLICATION SPEC - | WEIGHT - | SIZE A3 | CAGE CODE 00779 | DRAWING NO C-53419 | RESTRICTED TO - |
| CUSTOMER DRAWING | | | | | | SCALE 4:1 | SHEET 1 OF 1 | REV R4 | | | |