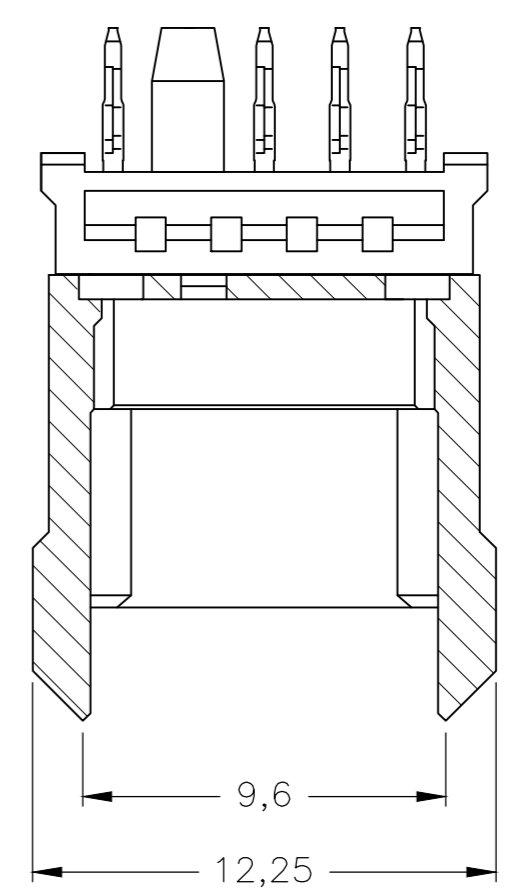
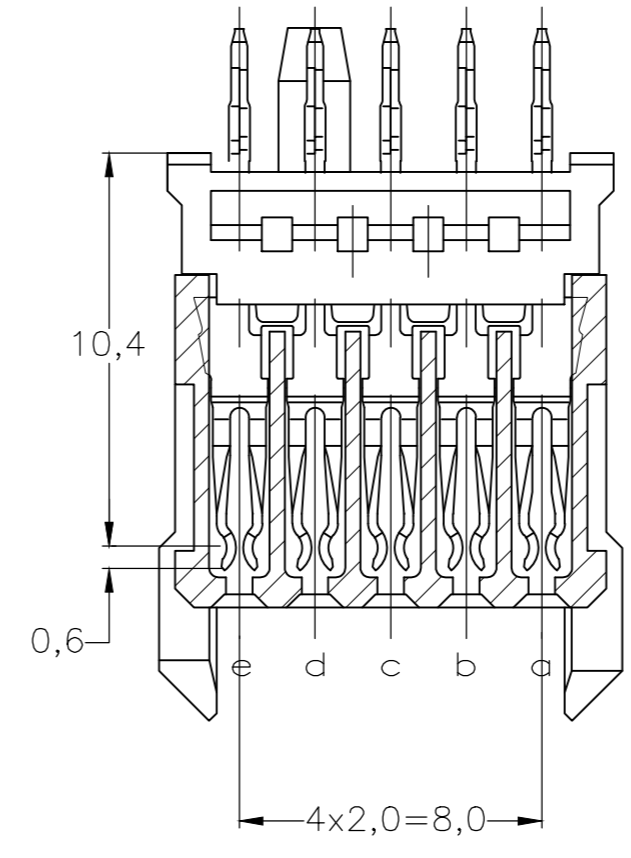
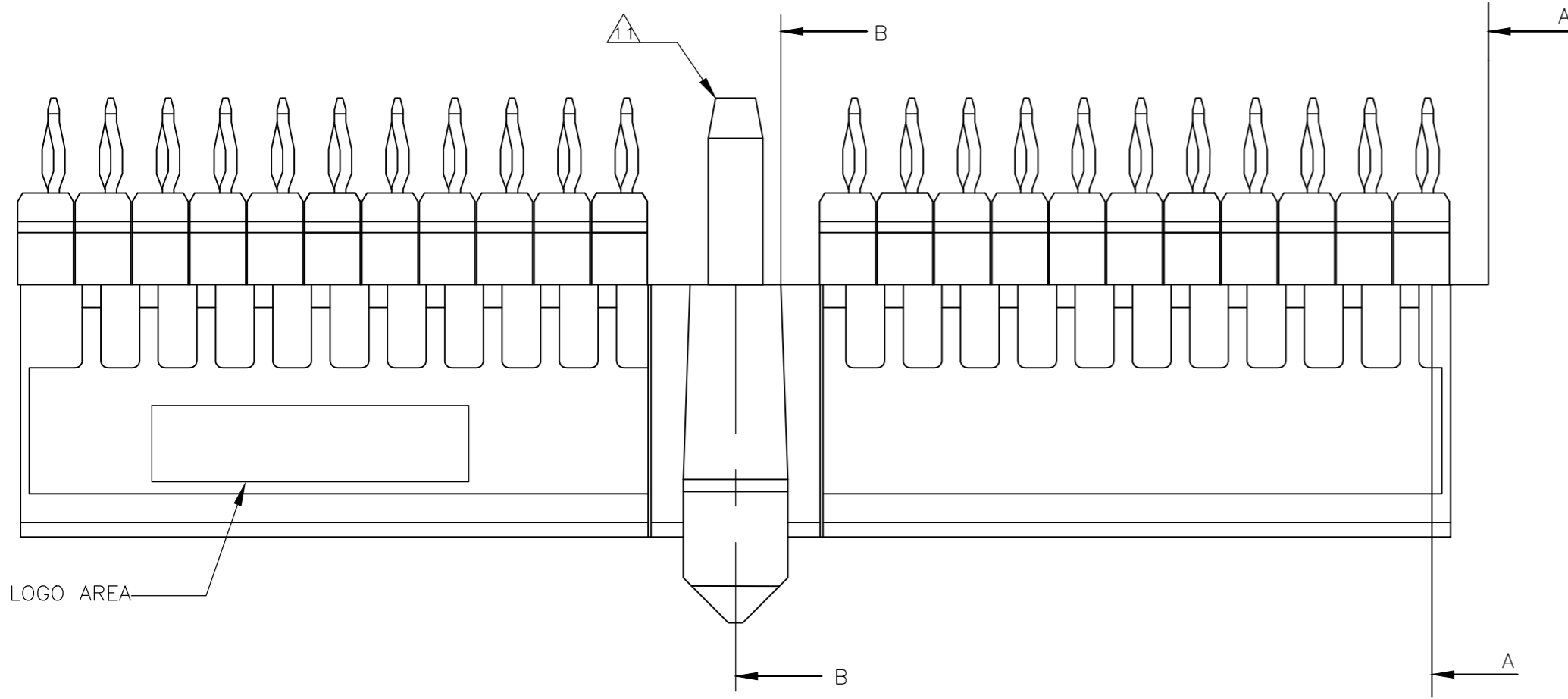


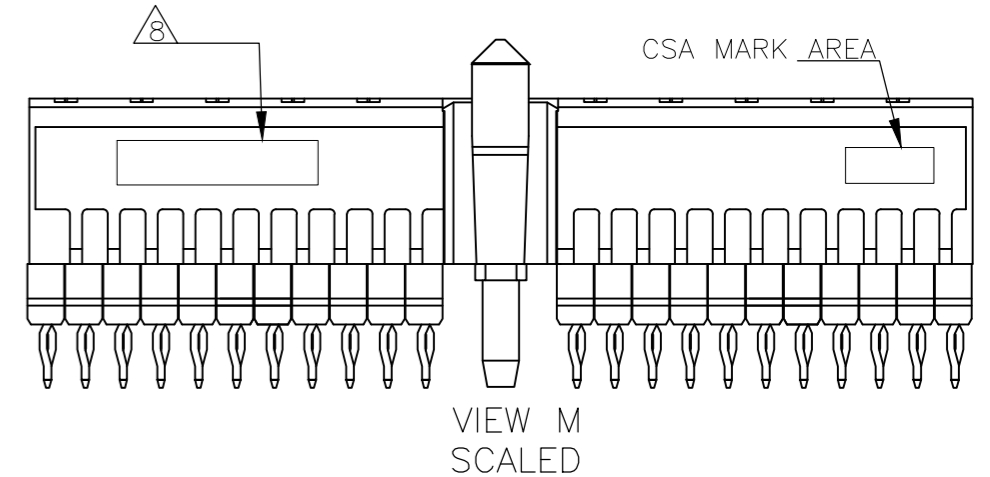
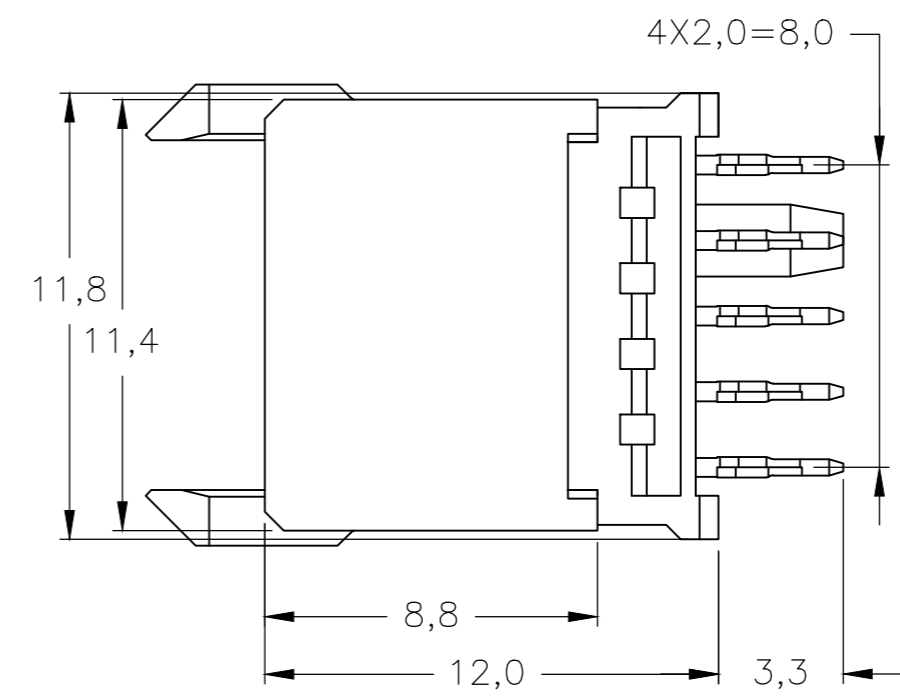
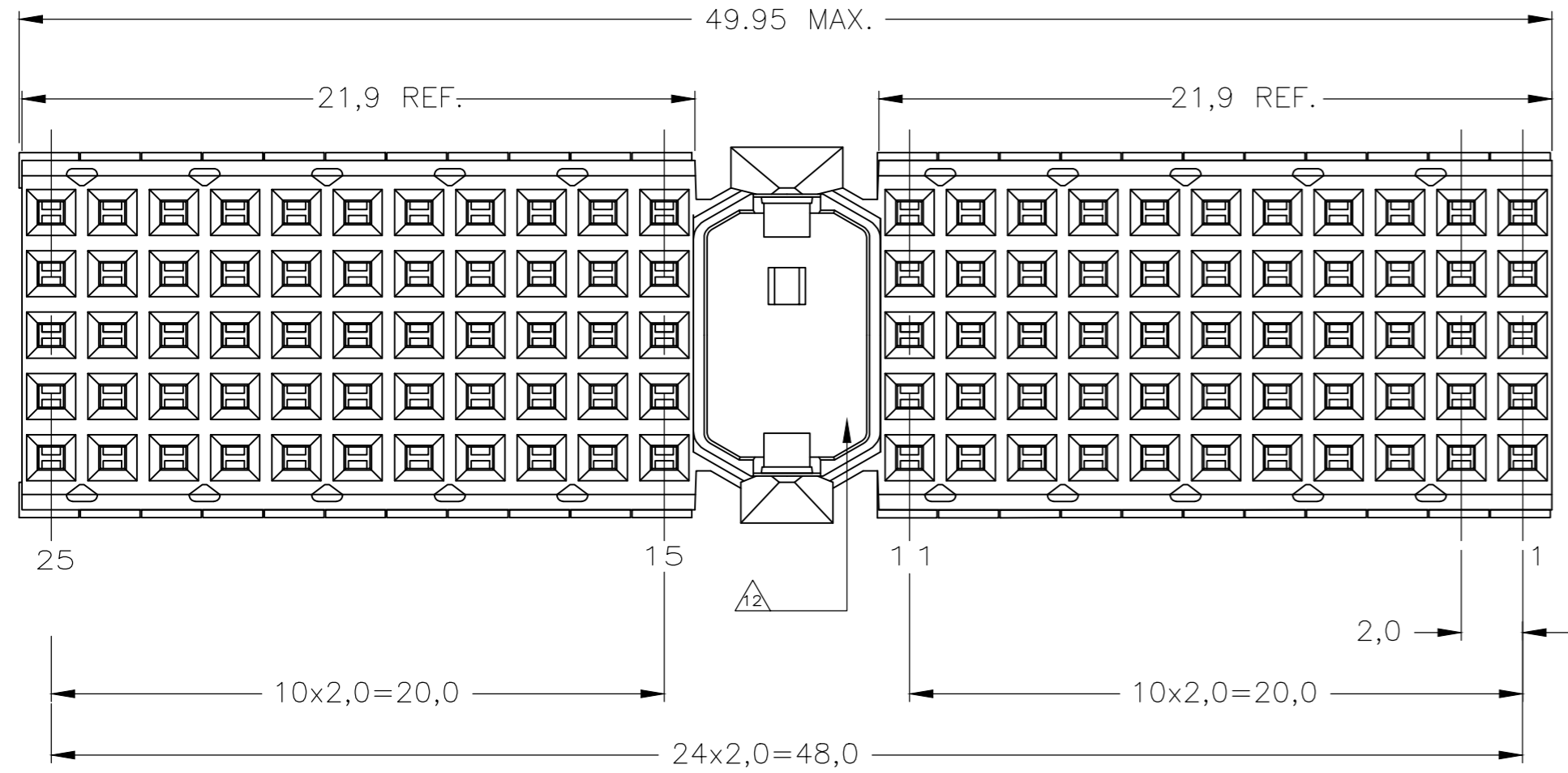
THIS DRAWING IS UNPUBLISHED. RELEASED FOR PUBLICATION  
 © COPYRIGHT - By - ALL RIGHTS RESERVED.

REVISIONS					
P	LTR	DESCRIPTION	DATE	DWN	APVD
G1		REVISED PER ECR ECO-19-002730	05AUG2019	A.S	H.L

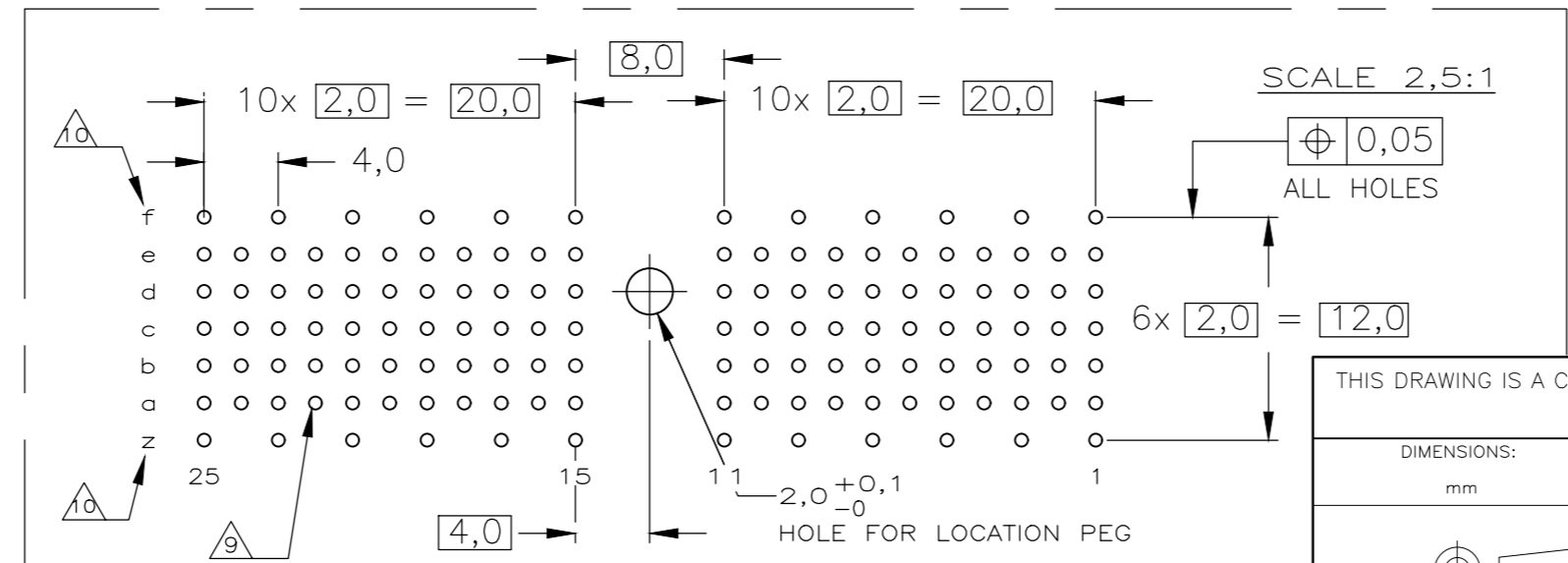


SECTION A-A

SECTION B-B



- NOTES:**
- △ MATERIAL CONTACT; PHOSPHORBRONZE  
MATERIAL HOUSING; GLASSFILLED POLYESTER  
UL-RATING 94V0 (GRAY).
  - △ GENERAL PLATING SPECIFICATION: UNDERPLATING (ENTIRE CONTACT):  
1,27µm NICKEL MIN. AND ACTION PIN: 0,5µm TIN MIN.  
FOR PLATING OF MATING SURFACES SEE APPLICABLE SPECIFICATION  
REFERENCE FOR EACH DASH NUMBER.
  - △ CONFORMS TO ALL TESTING ACCORDING IEC 61076-4-101  
PERFORMANCE LEVEL 2.
  - △ CONFORMS TO ALL TESTING ACCORDING IEC 61076-4-101  
PERFORMANCE LEVEL 1.
  - △ CONNECTOR TESTED AND QUALIFIED AGAINST TELCORDIA GR-1217-CORE  
QUALITY LEVEL III, CENTRAL OFFICE APPLICATIONS.
  - △ CONNECTOR TESTED AND QUALIFIED AGAINST TELCORDIA GR-1217-CORE  
QUALITY LEVEL III, UNCONTROLLED ENVIRONMENT APPLICATIONS.
  - △ CONNECTOR LUBRICATED WITH TELCORDIA GR-1217-CORE  
APPROVED LUBRICANT.
  - △ CONNECTOR PRINTED WITH PARTNUMBER AND DATECODE.
  - △ PLATED-THROUGH HOLES AT 2x2mm SQUARE GRID (110 HOLES).
  - △ HOLES IN ROW f AND z FOR POSSIBLE FUTURE USE OF  
GROUND RETURN SHIELD. (SHIELDS NOT YET TOOLED)
  - △ LOCATION PEG.
  - △ AREA RESERVED FOR KEYING PART (BASIC P.N.:100526).
  - △ OBSOLETE PARTS: OBSOLETE CIS STREAMLINING PER D.RENAUD/D.SINISI



COMPONENT SIDE AS SHOWN  
 RECOMMENDED PCB-HOLE LAY-OUT  
 P.C.B. HOLE DIM. ACTION PIN  
 FOR DETAILS SEE  
 APPLICATION SPECIFICATION

THIS DRAWING IS A CONTROLLED DOCUMENT.

DIMENSIONS:	TOLERANCES UNLESS OTHERWISE SPECIFIED:
mm	±0.2
6-PLC	±
1-PLC	±
2-PLC	±
3-PLC	±
4-PLC	±
ANGLES	±
MATERIAL	FINISH
-	-

△3	OBSOLETE	△6	△7	△	1-5352457-9
△3	OBSOLETE	△5	△8	△	5352457-9
△3	OBSOLETE	△4	△9	△	5352457-4
		△3		△	5352457-1
				FINISH	MATERIAL
					PARTNUMBER

DWN K.N.KIRAN 25AUG2004		TE Connectivity	
CHK B.MOOIJ 27OCT2004	NAME		
APVD B.MOOIJ 27OCT2004	Z-PACK 2mm HM TYPE A		
PRODUCT SPEC 108-19082	110 POS. VERTICAL FEMALE CONNECTOR		
APPLICATION SPEC 114-19029	WITH LOCATION PEG		
WEIGHT 0.000000	SIZE A2	CAGE CODE 00779	DRAWING NO. C=5352457
CUSTOMER DRAWING	SCALE 5:1	SHEET 1 of 1	REV G1