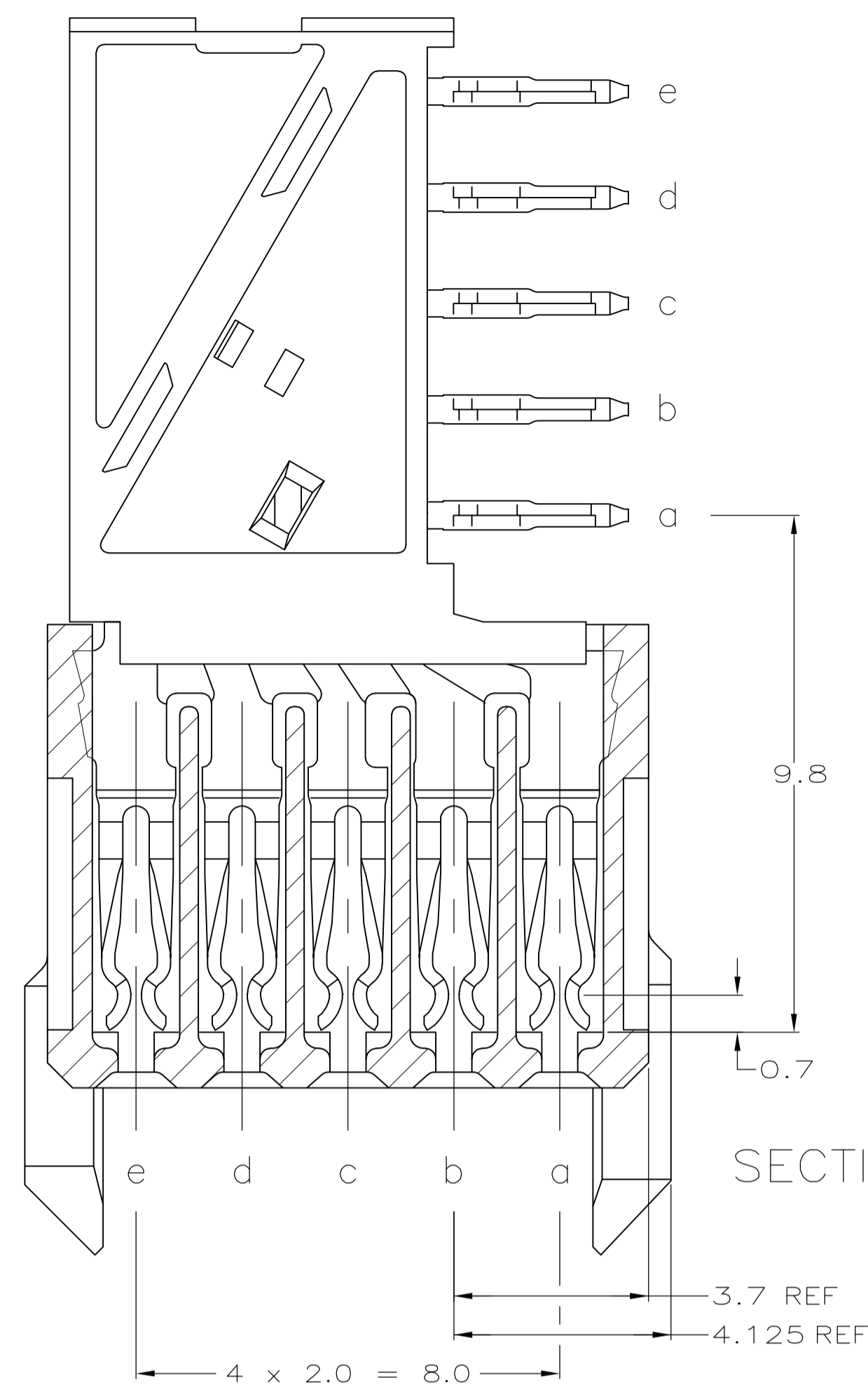
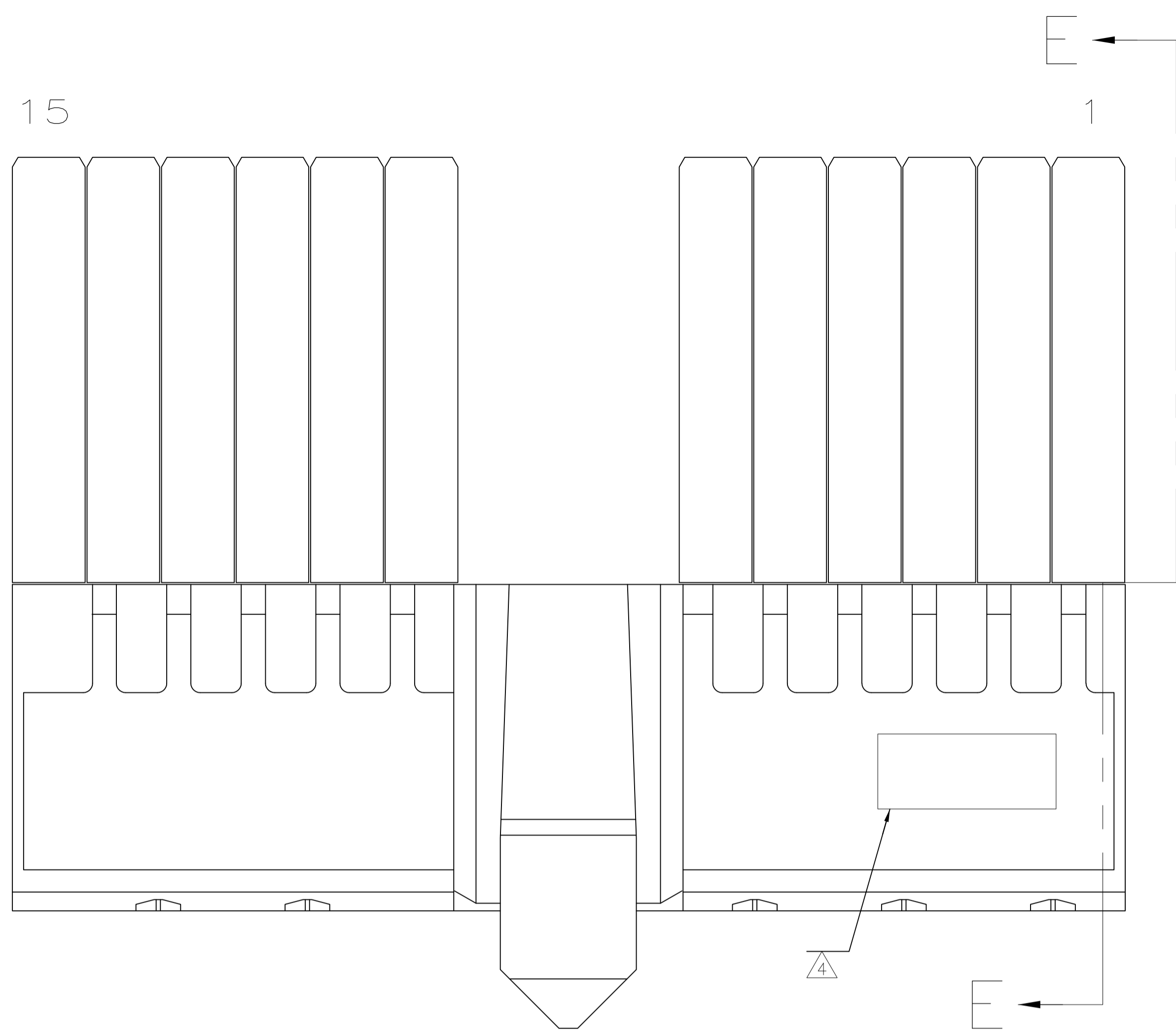
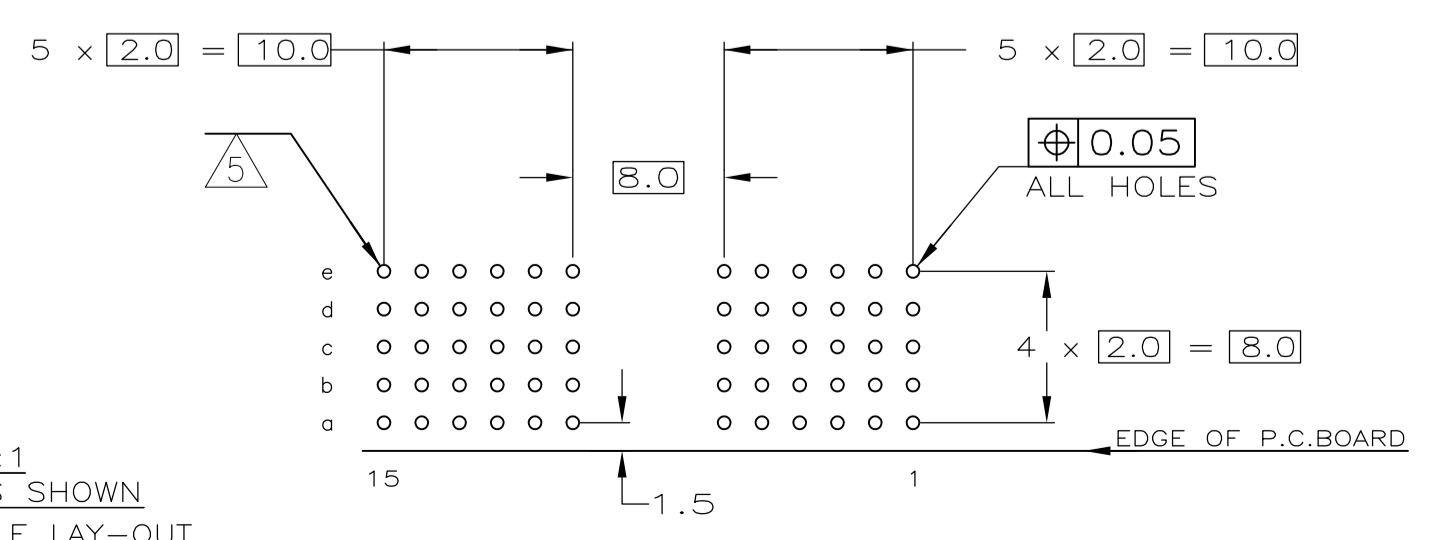
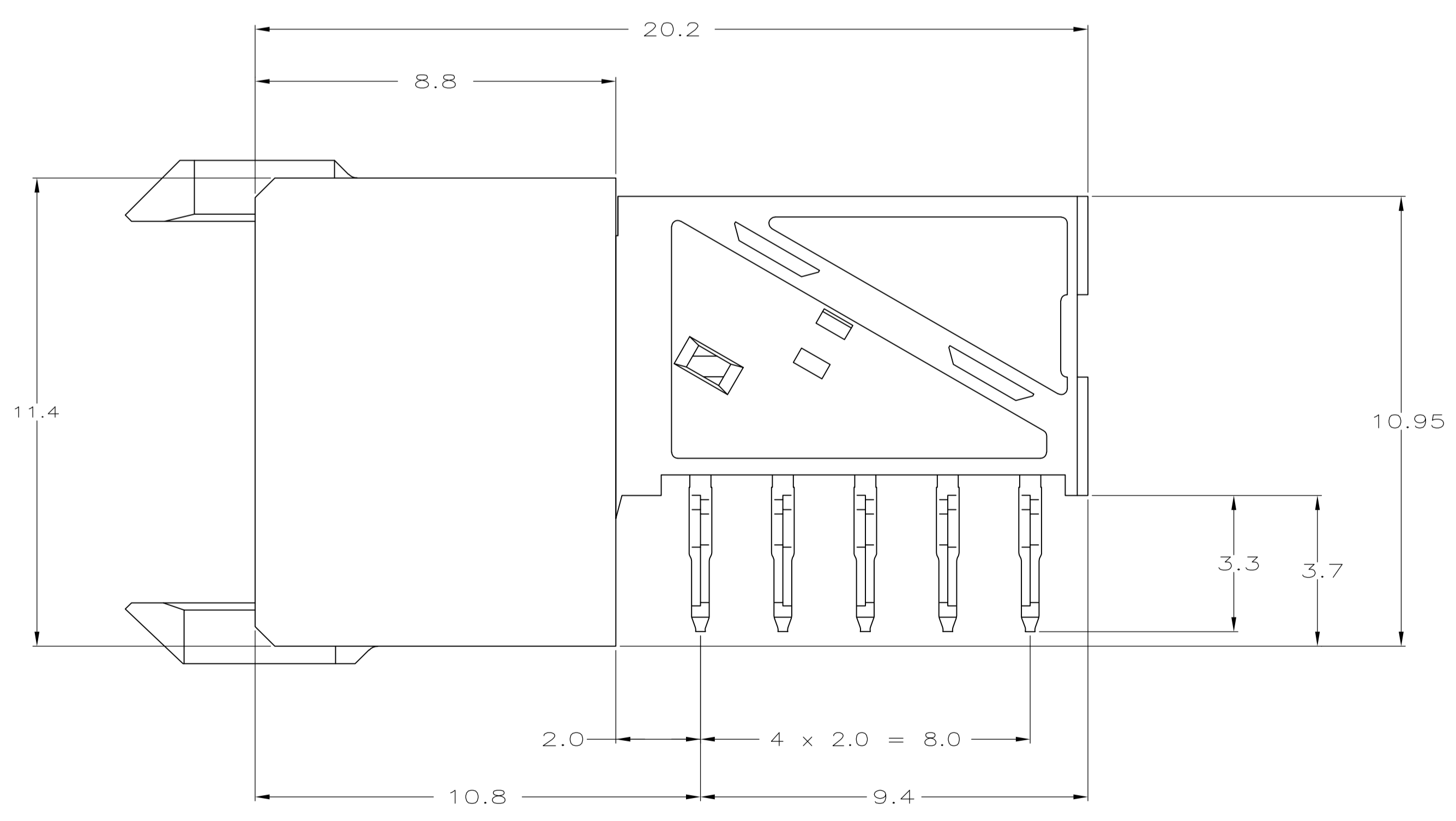
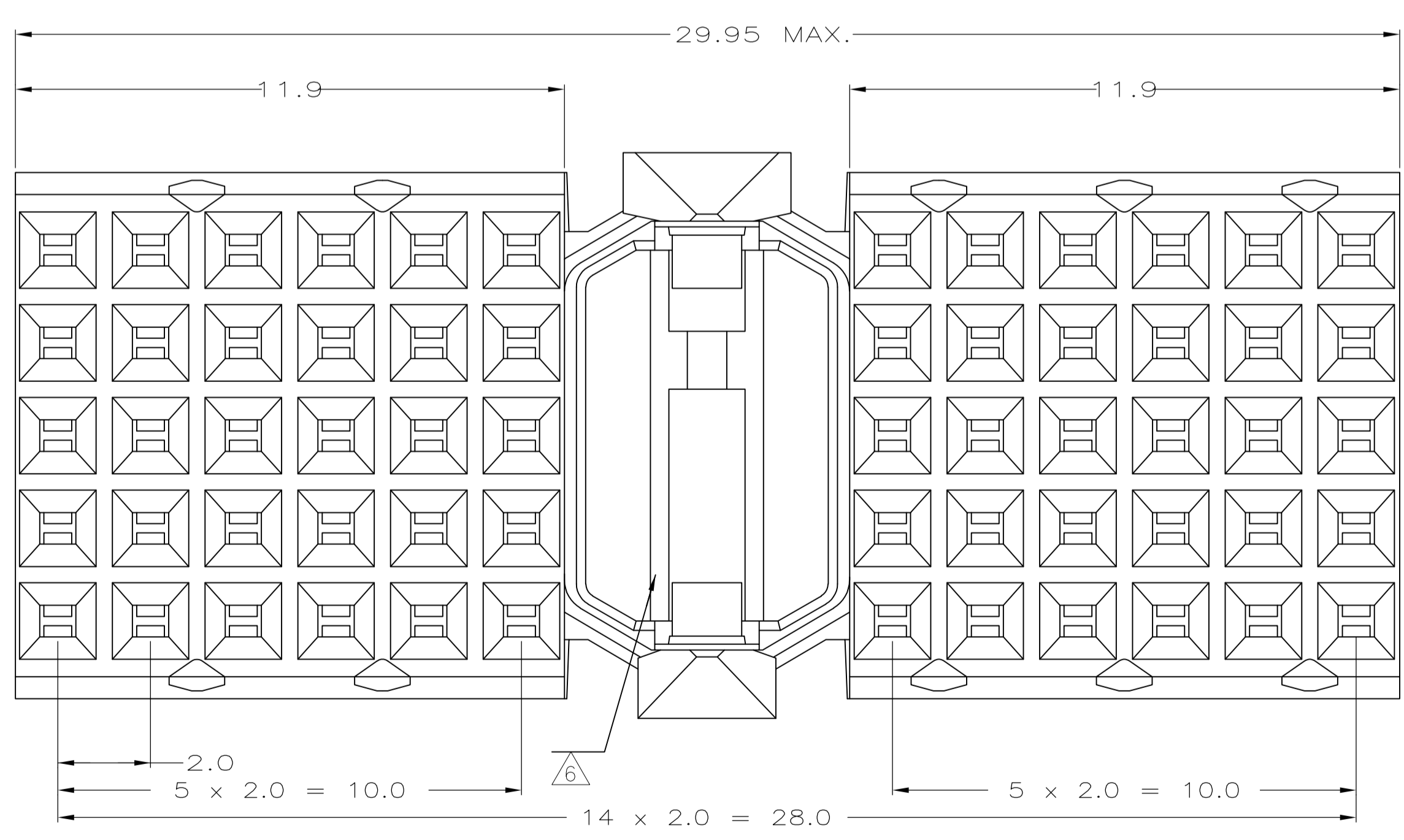


LOC		DIST		REVISIONS			
P	LTR	DESCRIPTION	DATE	DMN	APVO		
A		INITIAL RELEASE	30JUN2012	SY	AC		



- ① CONTACT: PHOSPHOR BRONZE
HOUSING: GLASS FILLED POLYESTER (GREY) UL-RATING 94V0
- ② GENERAL PLATING SPECIFICATION: UNDERPLATING
(ENTIRE CONTACT): 1.27µm MIN NICKEL AND ACTION
PIN: 0.5µm MIN TIN.
FOR PLATING OF MATING SURFACES SEE APPLICABLE SPECIFICATION REFERENCE FOR EACH DASH NUMBER.
- ③ CONFORMS TO ALL TESTING ACCORDING TO IEC 61076-4-101 PERFORMANCE LEVEL 2.
- ④ CONNECTOR PRINTED WITH PART NUMBER AND DATE CODE, LOCATION OPTIONAL
- ⑤ PLATED-THROUGH HOLES AT 2x2mm SQUARE GRID, 60 HOLES
- ⑥ AREA RESERVED FOR CODING KEY, BASIC P/N 100526



P.C.B. HOLE DIM. ACTION PIN	
DRILLED HOLE:	0,7±0,025mm
FIN. HOLE :	0,55 TO 0,65mm
Cu-thks :	0,025 TO 0,050mm
SnPb-thks :	0,004 TO 0,010mm

SCALE 2.5:1
COMPONENT SIDE AS SHOWN
RECOMMENDED PCB-HOLE LAY-OUT

5646766-1
AMP
PART NUMBER

THIS DRAWING IS A CONTROLLED DOCUMENT.		DMN SANDERS YAN 30JUN2012	TE Connectivity
DIMENSIONS: mm		CHK ALEX SHOAL 30JUN2012	
TOLERANCES UNLESS OTHERWISE SPECIFIED:		APVO ALEX CAI 30JUN2012	NAME
0-PLC ±	±0.2	PRODUCT SPEC	CONNECTOR ASSEMBLY, 60 POSITION, TYPE A, FEMALE DAUGHTER CARD, SIGNAL PINS, Z-PACK 2mm HM
1-PLC ±0.2		APPLICATION SPEC	108-19082
2-PLC ±0.1		114-19029	SIZE CASE CODE DRAWING NO
3-PLC ±		100779	RESTRICTED TO
4-PLC ±		5646766	WEIGHT
ANGLES ±			CUSTOMER DRAWING
MATERIAL	FINISH	SCALE 10:1	SHEET 1 OF 1
①	② ③		REV A