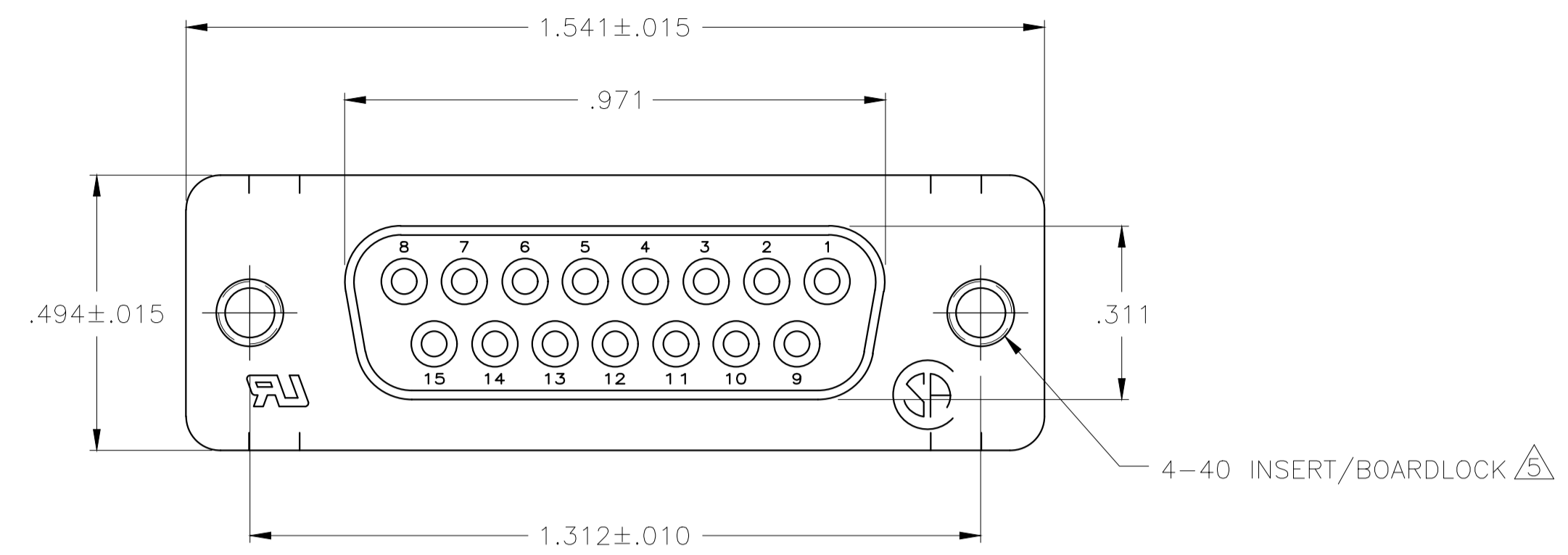
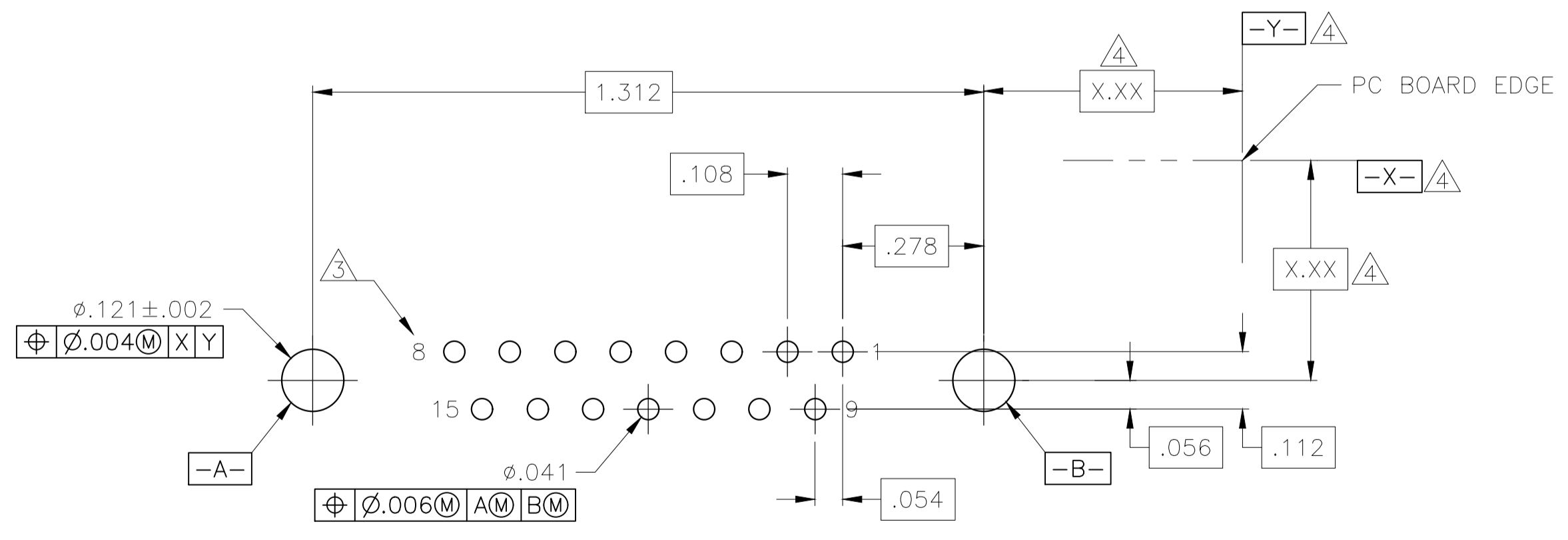
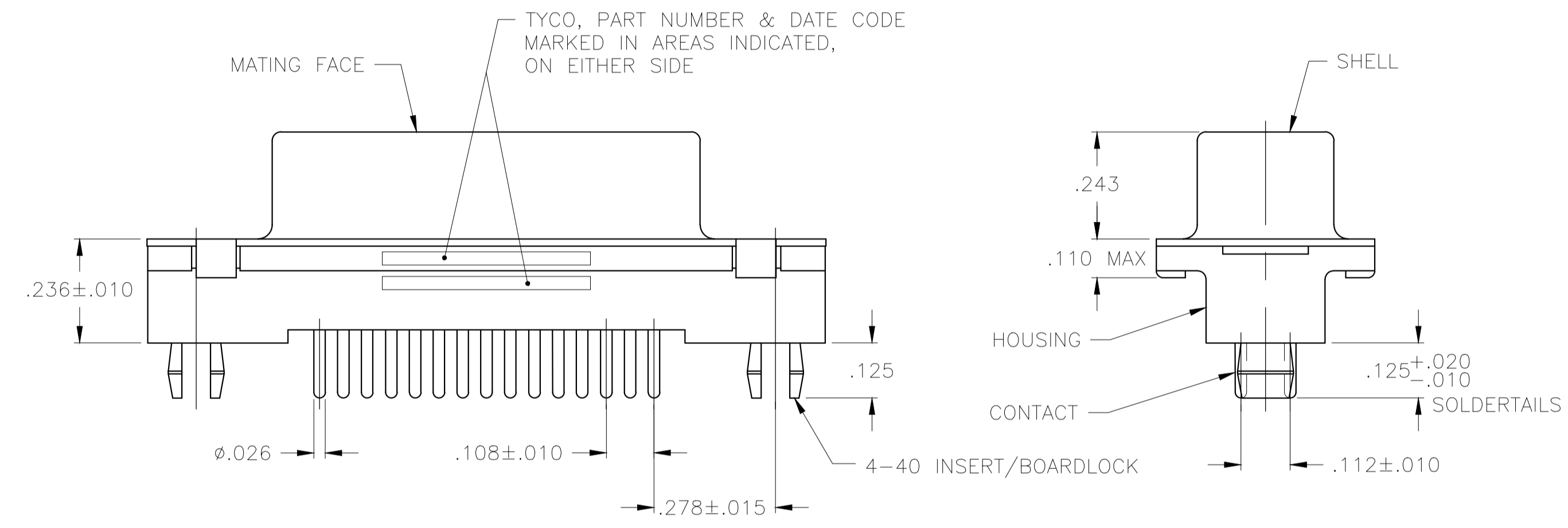


REVISIONS				
P	LTR	DESCRIPTION	DATE	OWN / APP'D
B		REVISED PER ECO-18-012169	02AUG2018	AP / DG



- △ HOUSING: FLAME RETARDANT THERMOPLASTIC, 94V-0 RATED, COLOR BLACK.  
SHELL: CARBON STEEL.  
CONTACTS: PHOSPHOR BRONZE.  
INSERT/BOARDLOCKS: BRASS.
- △ SHELL: 0.00508[.000200] MIN TIN OVER 0.00254[.000100] MIN COPPER.  
CONTACTS: 0.00076[.000030] MIN GOLD ON MATING END, 0.00254[.000100] MIN TIN ON SOLDER END, ALL OVER 0.00076[.000030] MIN NICKEL ON ENTIRE CONTACT.  
INSERT/BOARDLOCKS: 0.00381[.000150] MIN TIN OVER 0.00254[.000100] MIN COPPER.
- △ POSITION NUMBERS SHOWN FOR REFERENCE ONLY.
- △ DATUMS AND BASIC DIMENSIONS TO BE ESTABLISHED BY CUSTOMER.
- △ ACCEPTS MAXIMUM .146 LONG MALE THREADS.



RECOMMENDED PC BOARD LAYOUT  
 .062 PC BOARD  
 (VIEWED FROM CONNECTOR SIDE)

2-5747707-0  
 PART NUMBER

THIS DRAWING IS A CONTROLLED DOCUMENT.		DIN J.GERACE 18FEB05	TE Connectivity Ltd.	
DIMENSIONS: mm		CHK S.BOLASH 18FEB05		
TOLERANCES UNLESS OTHERWISE SPECIFIED:		APP'D M.WALMSLEY 18FEB05	NAME RECEPTACLE ASSEMBLY, SIZE 2, 15 POS. VERTICAL, FRONT METAL SHELL,	
0 PLC ± -		PRODUCT SPEC 108-40025	SIZE A1	
1 PLC ± -		APPLICATION SPEC 114-40023	CAGE CODE 00779	
2 PLC ± -		RESTRICTED TO	DRAWING NO. 5747707	
3 PLC ± 0.13(.005)		SCALE 4:1	SHEET 1 of 1	
4 PLC ± -		REV B	CUSTOMER DRAWING	
ANGLES ± -				
FINISH				