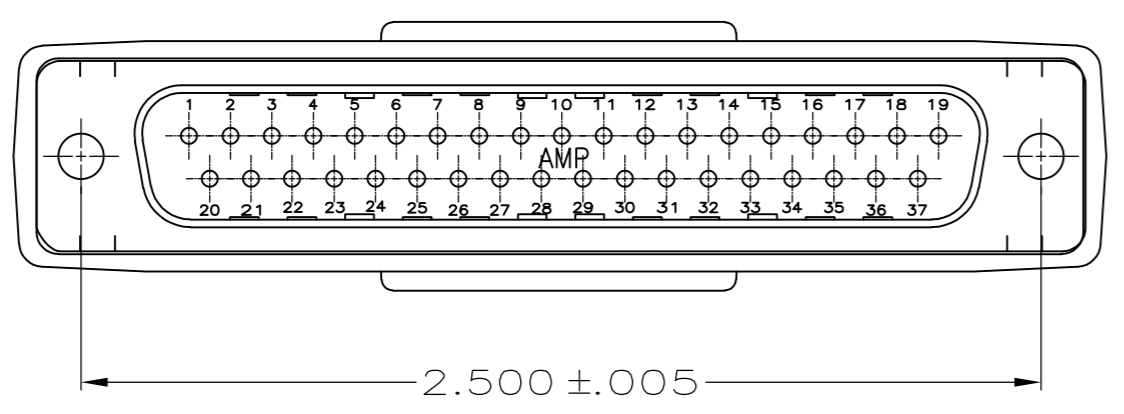
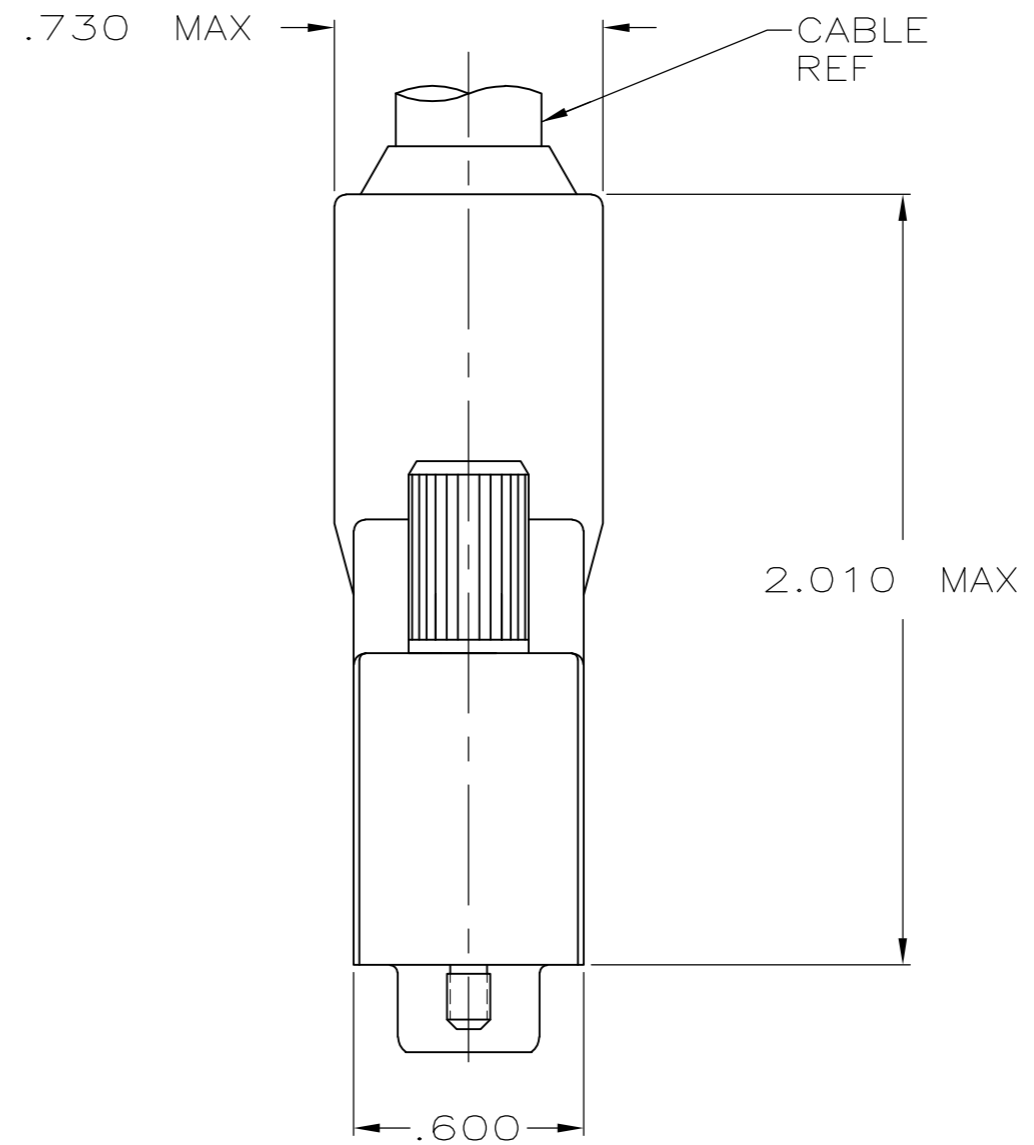
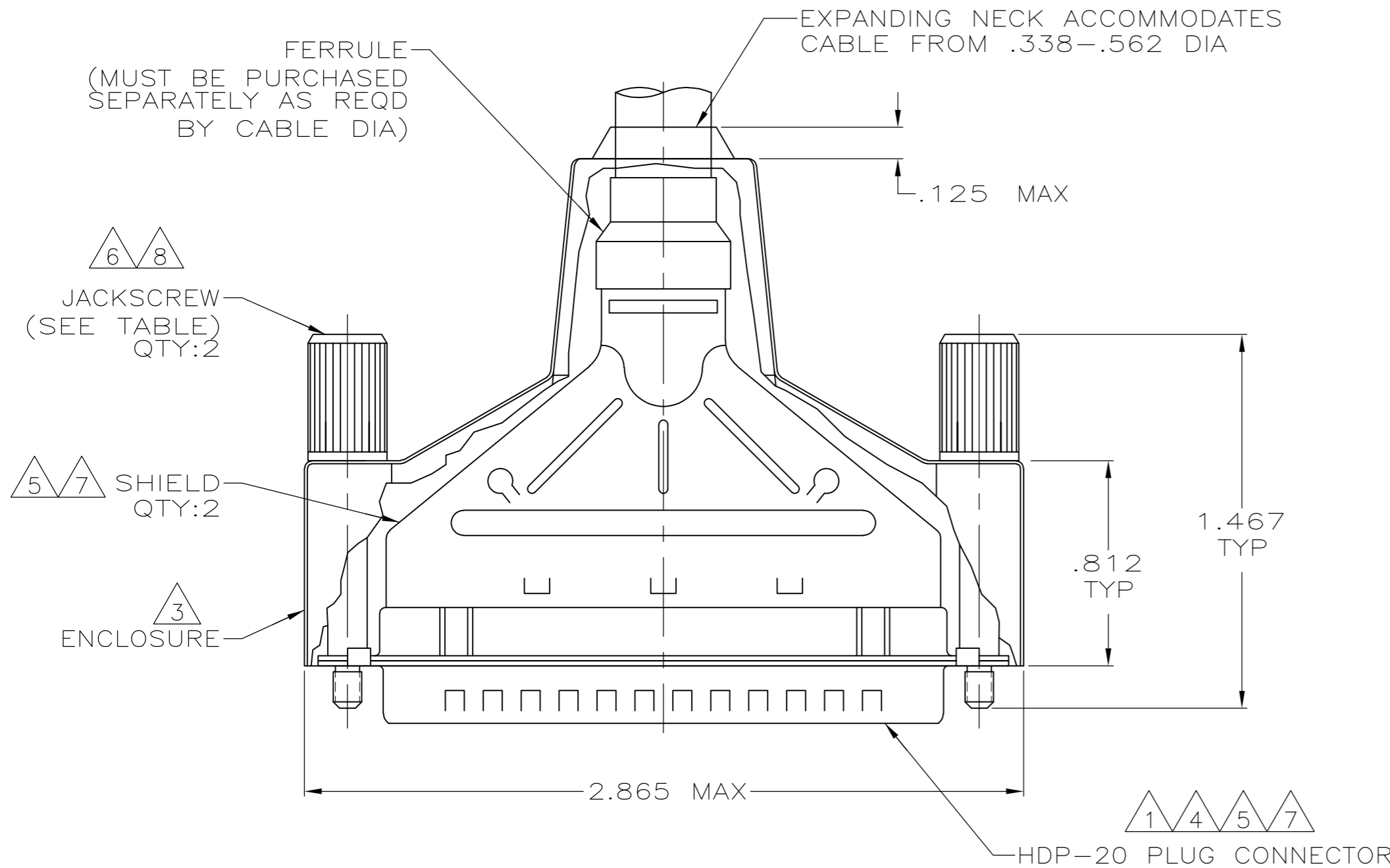


THIS DRAWING IS UNPUBLISHED. RELEASED FOR PUBLICATION
 © COPYRIGHT - By - ALL RIGHTS RESERVED.

REVISIONS				
P	LTR	DESCRIPTION	DATE	APVD
D		REVISED PER ECO-17-002903	20MAR2017	AP DG

- 1 PLUG ACCEPTS SIZE 20 DF PIN CONTACTS. CONTACTS MUST BE PURCHASED SEPARATELY.
- 2 ALL PARTS SHIPPED UNASSEMBLED.
- 3 FLAME RETARDANT 94V-0 RATED, STYRENE POLYOLEFIN OR PVC, BLACK.
- 4 FLAME RETARDANT 94V-0 RATED GLASS FILLED, NYLON OR POLYESTER, BLACK.
- 5 STEEL PER ASTM A109.
- 6 CARBON STEEL, C1022.
- 7 .000200 MIN TIN PLATE OVER .000100 MIN COPPER UNDERPLATE.
- 8 BLACK ZINC FLAKE COATING.
- 9 COMPONENTS INDIVIDUALLY BULK PACKED.



OBSOLETE		M3	5747958-4
	9	W/ LOGOS	5747958-1
PACKAGING	REMARKS	JACKSCREW THREADS	PART NUMBER

THIS DRAWING IS A CONTROLLED DOCUMENT.		DWN G. ATTADIA - DOCK5 11-10-04	TE TE Connectivity	
DIMENSIONS: INCHES		CHK J. GERACE 11-10-04		
TOLERANCES UNLESS OTHERWISE SPECIFIED:		APVD M. WALMSLEY 11-10-04	NAME	
0 PLC ± -		PRODUCT SPEC	BULK KIT, PLUG, AMPLIMITE SHIELDING ENCLOSURE, 37 POSN, SIZE 4, HDP-20	
1 PLC ± -		APPLICATION SPEC	SIZE	CAGE CODE
2 PLC ± -		114-40030	A2	00779
3 PLC ± .020		WEIGHT	DRAWING NO	
4 PLC ± -		0.000000	RESTRICTED TO	
ANGLES ± -		CUSTOMER DRAWING	-	
FINISH		SCALE	SHEET	
3 4 5 6 7 8		2:1	1 of 1	
			REV D	

5747958