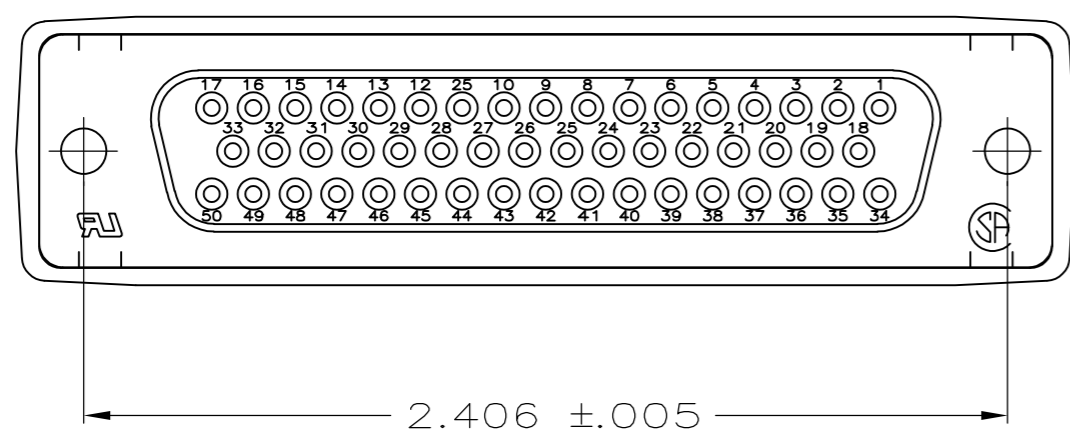
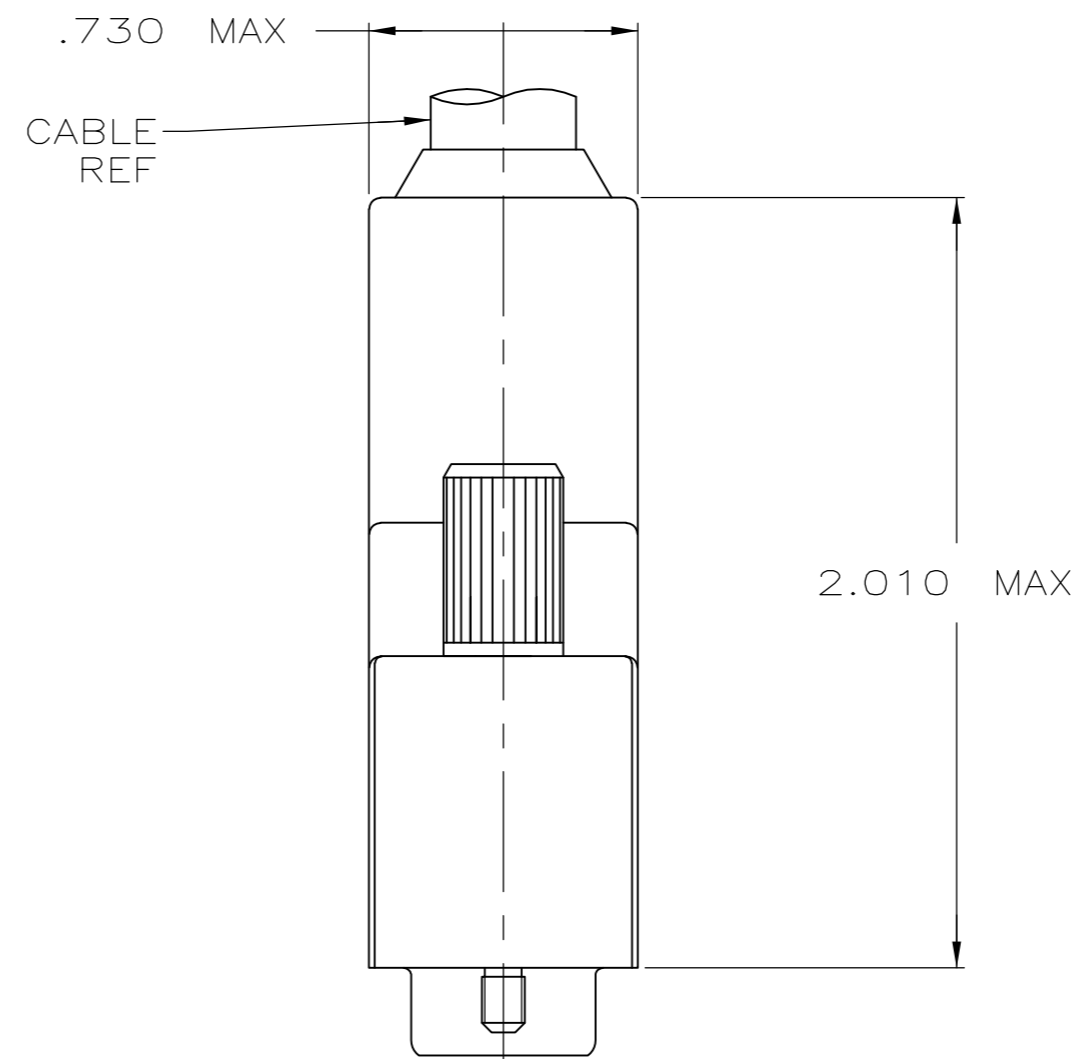
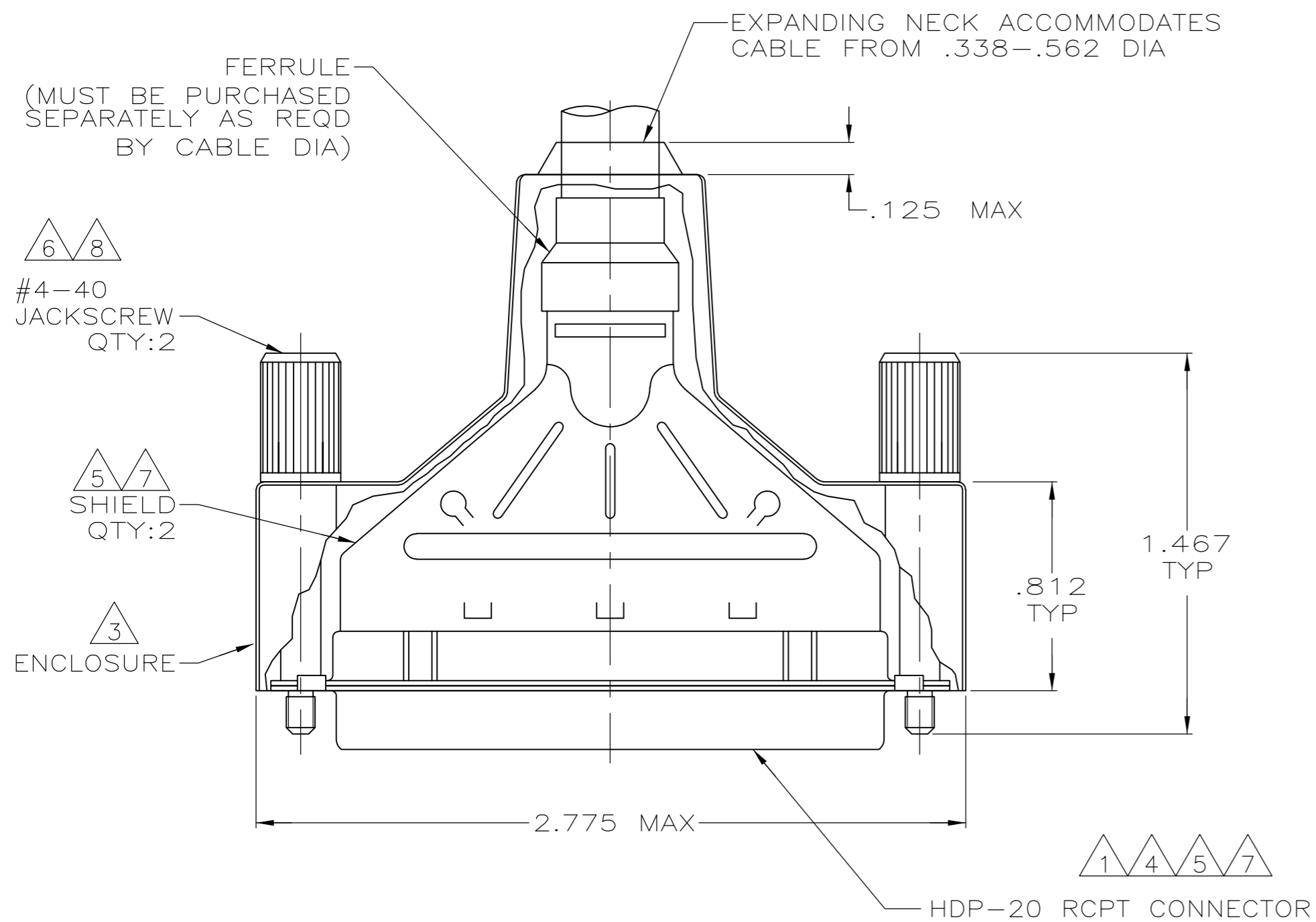


THIS DRAWING IS UNPUBLISHED. RELEASED FOR PUBLICATION  
 © COPYRIGHT - By - ALL RIGHTS RESERVED.

REVISIONS				
P	LTR	DESCRIPTION	DATE	APVD
D		REVISED PER ECO-17-002903	20MAR2017	AP DG

- 1 RCPT ACCEPTS SIZE 20 DF SOCKET CONTACTS. CONTACTS MUST BE PURCHASED SEPARATELY.
- 2 ALL PARTS SHIPPED UNASSEMBLED.
- 3 FLAME RETARDANT 94V-0 RATED, STYRENE POLYOLEFIN OR PVC, BLACK.
- 4 FLAME RETARDANT 94V-0 RATED GLASS FILLED, NYLON OR POLYESTER, BLACK.
- 5 STEEL PER ASTM A109.
- 6 CARBON STEEL, C1022.
- 7 .000200 MIN TIN PLATE OVER .000100 MIN COPPER UNDERPLATE.
- 8 BLACK ZINC FLAKE COATING.
- 9 COMPONENTS INDIVIDUALLY BULK PACKED.



9	W/ LOGOS	5747959-1
PACKAGING	REMARKS	PART NUMBER

THIS DRAWING IS A CONTROLLED DOCUMENT.		DWN 11-10-04 G. ATTADIA - DOCK5	<b>STE</b> TE Connectivity	
DIMENSIONS: INCHES		CHK 11-10-04 J. GERACE		
TOLERANCES UNLESS OTHERWISE SPECIFIED:		APVD 11-10-04 M. WALMSLEY	NAME	
0 PLC ± -		PRODUCT SPEC	BULK KIT, RCPT, AMPLIMITE SHIELDING ENCLOSURE, 50 POSN, SIZE 5, HDP-20	
1 PLC ± -		APPLICATION SPEC	SIZE	CAGE CODE
2 PLC ± -		114-40030	A2	00779
3 PLC ± .020		WEIGHT 0.000000	DRAWING NO C=5747959	
4 PLC ± -		CUSTOMER DRAWING	SCALE 2:1	SHEET 1 of 1
ANGLES ± -			REV D	
FINISH				