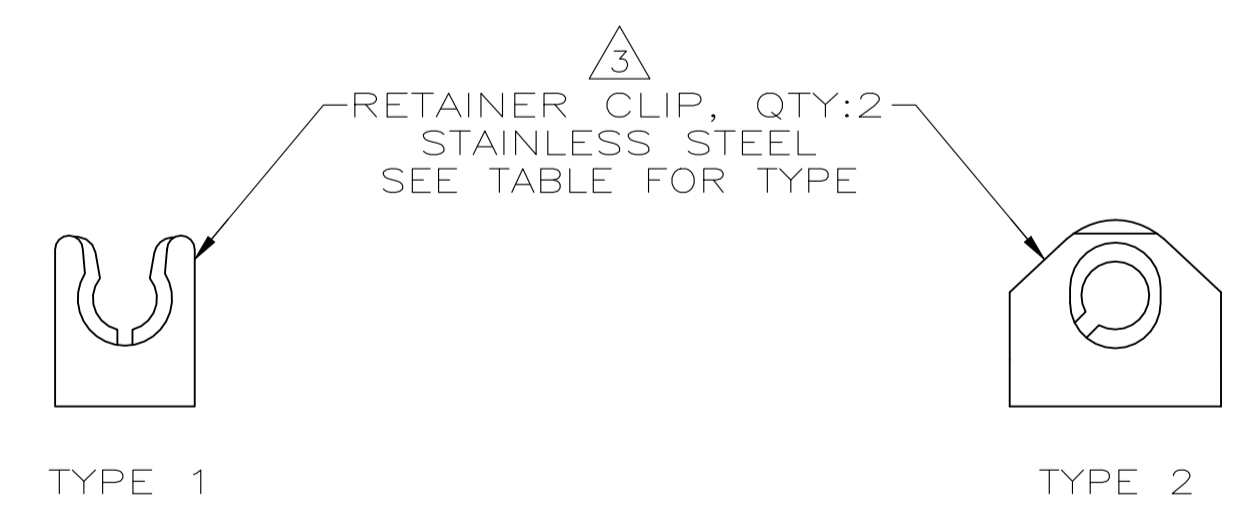
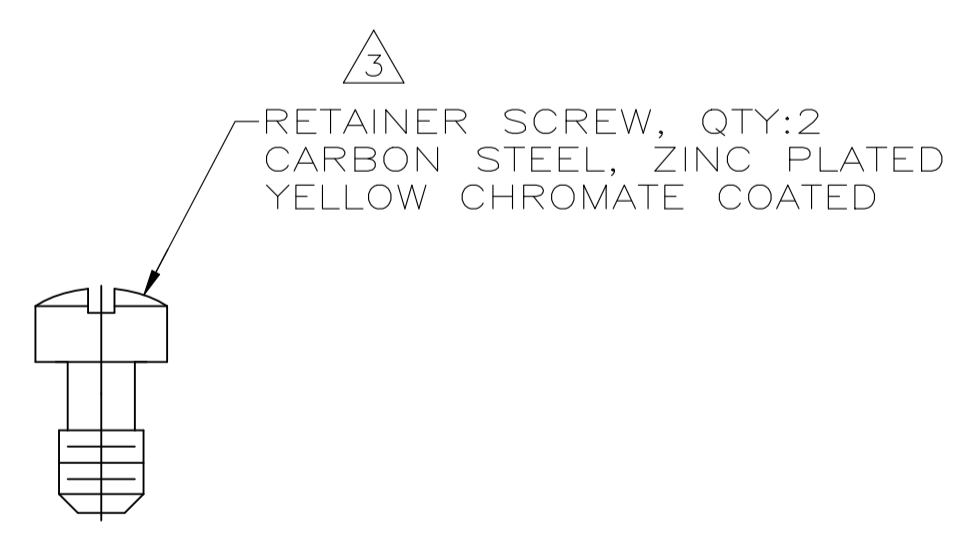
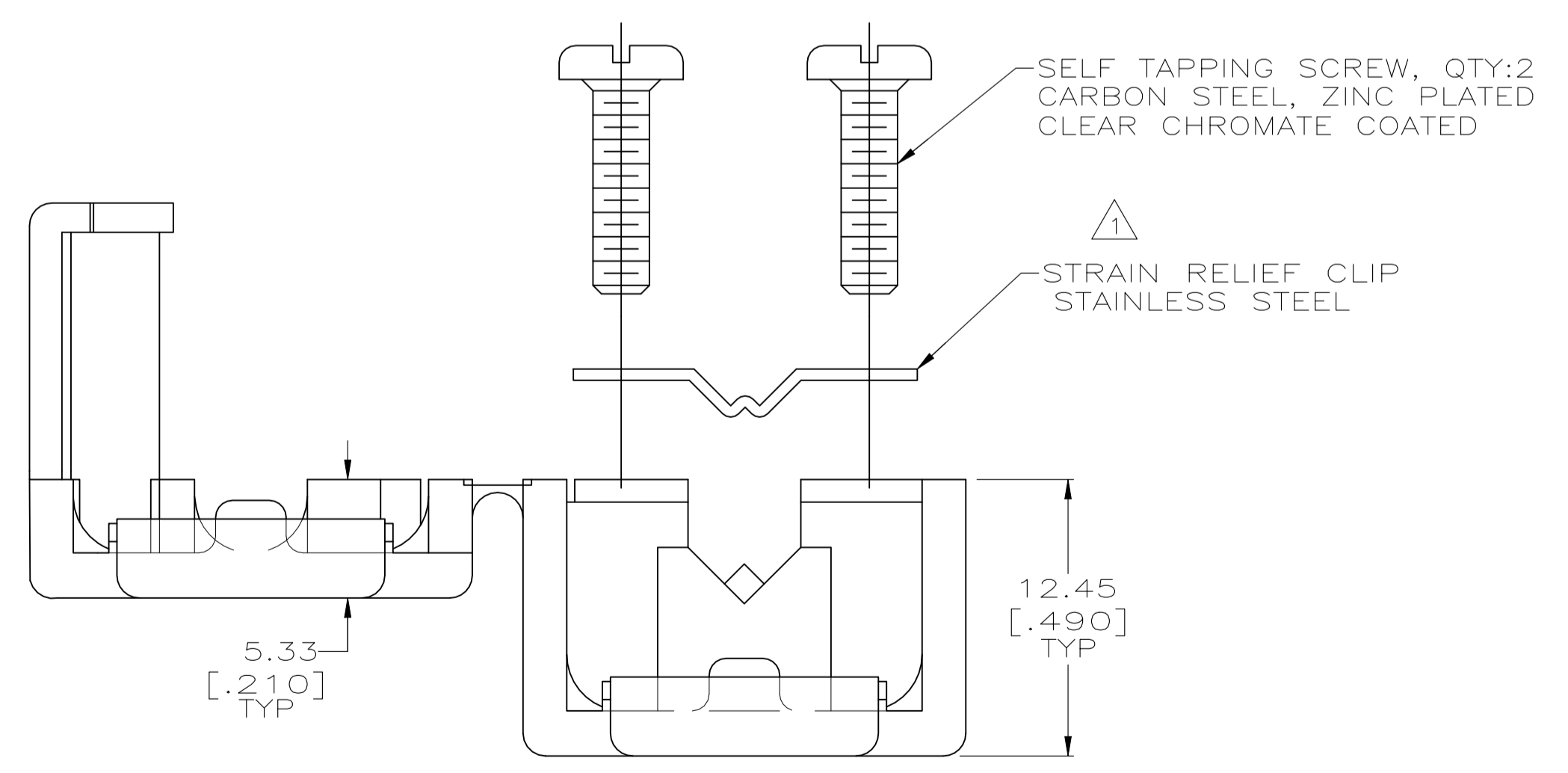
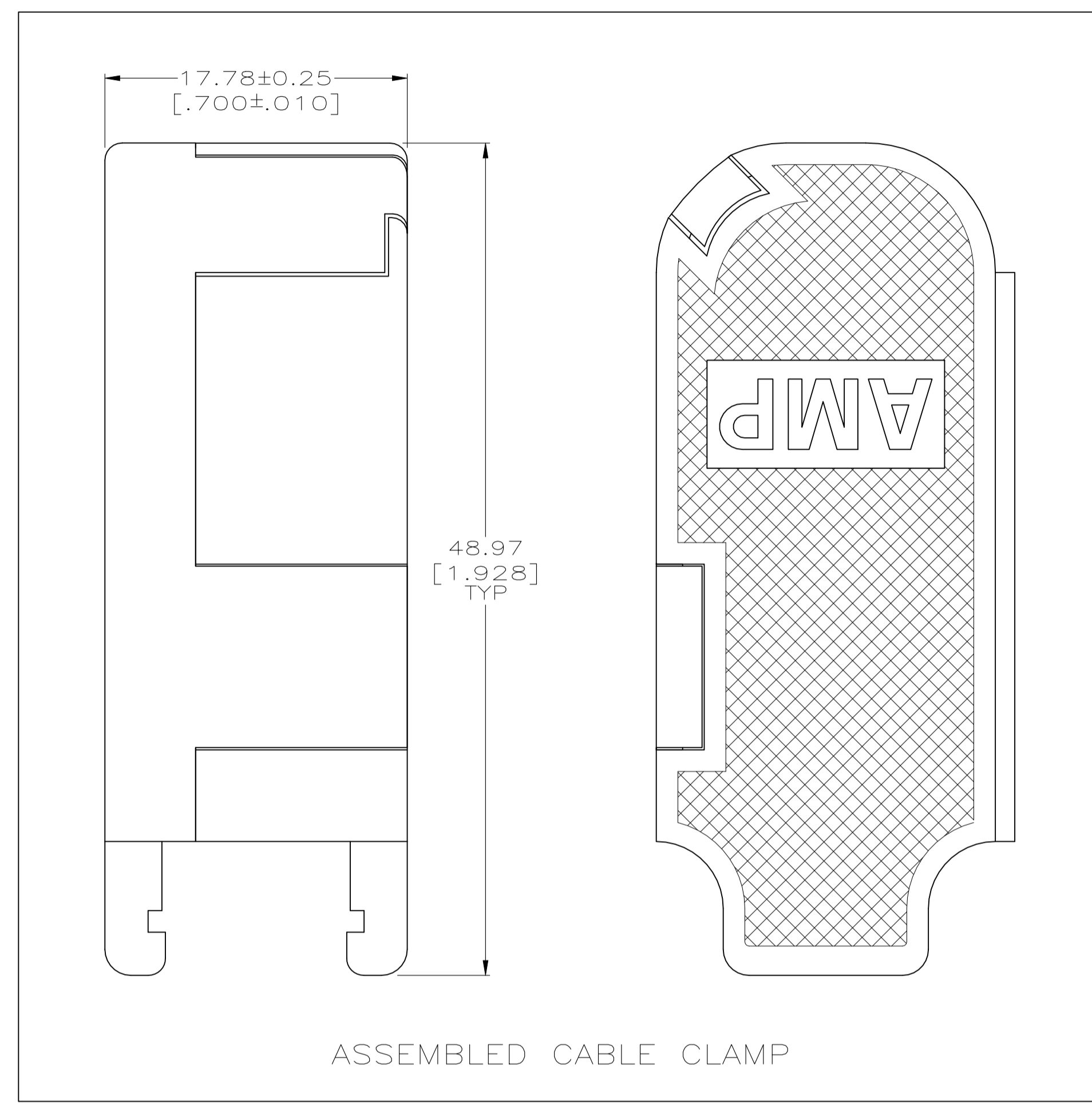
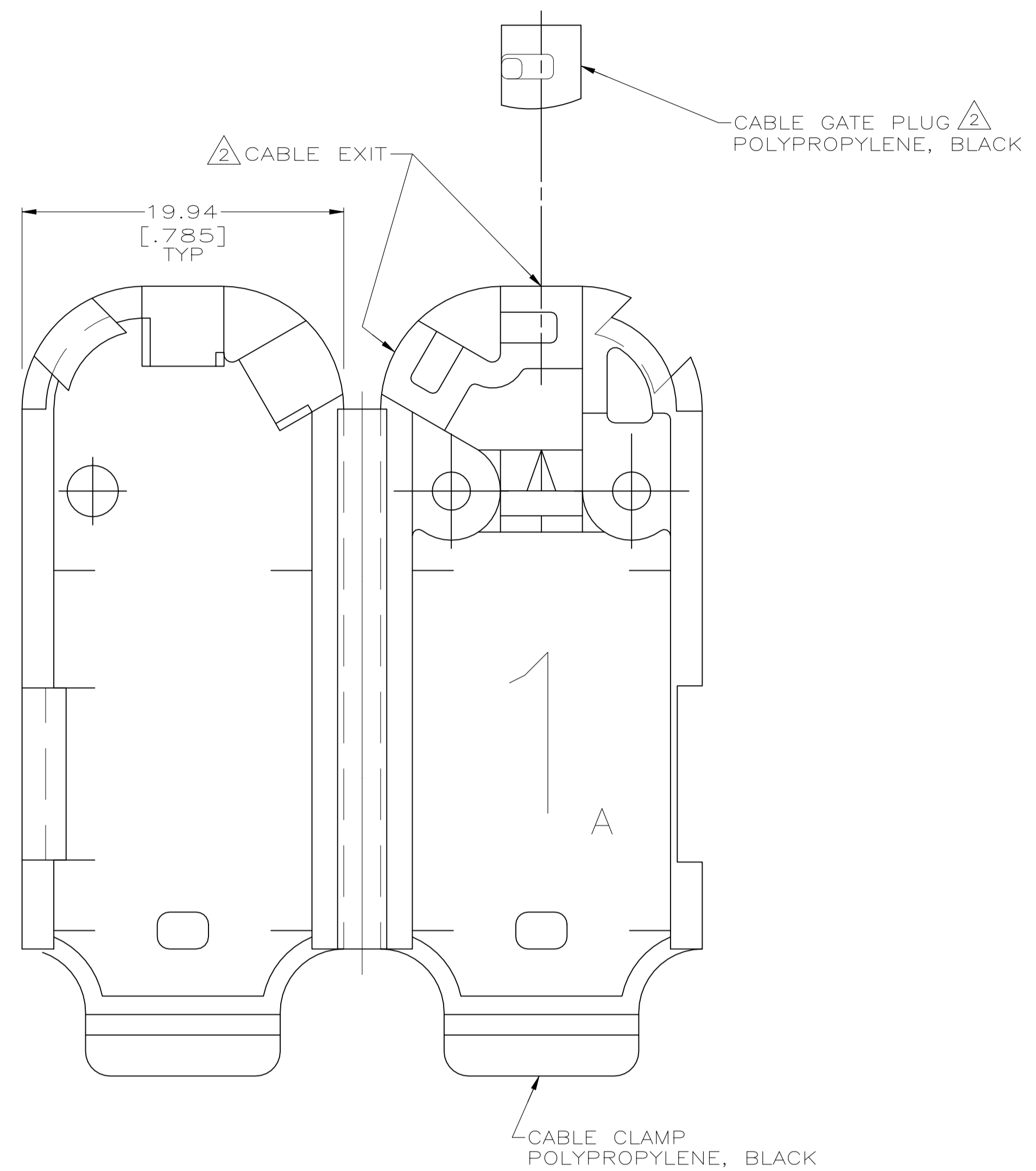


REVISIONS				
P	LR	DESCRIPTION	DATE	DWN APVD
P1		REVISED PER ECN-23-243842	11MAR11	AB SZ



- ¹ CLIP CAN BE INSTALLED AS SHOWN FOR SMALL DIAMETER CABLE, OR REVERSED FOR LARGE DIAMETER CABLE.
- ² CABLE GATE PLUG TO BE PLACED IN CABLE EXIT NOT BEING USED.
- ³ RETAINER SCREWS AND RETAINER CLIPS PROVIDED WITH THIS KIT FOR USE WITH METAL SHELL CONNECTORS.
- 4. CABLE DIAMETER RANGE = 1.90-6.35 [.075-.250].

OBSOLETE	2	UNIT KIT	5749914-4
	1	UNIT KIT	5749914-2
	1	BULK PACKED	5749914-1
	RETAINER CLIP TYPE	PACKAGING	PART NO

**COPYRIGHT 2005
TE CONNECTIVITY CORP
ALL RIGHTS RESERVED**

THIS DRAWING IS A CONTROLLED DOCUMENT. DWN: R. RICHARDSON 15SEP05
CHK: C. ROHDE 15SEP05

DIMENSIONS: INCHES TOLERANCES UNLESS OTHERWISE SPECIFIED: 0 PLC ± .010 1 PLC ± .010 2 PLC ± 0.13 [.005] 3 PLC ± .010 4 PLC ± .010 ANGLES ± .5°

MATERIAL: SEE CALLOUTS FINISH: SEE CALLOUTS WEIGHT: 0.000000

DWN: M. WALMSLEY 15SEP05 NAME: M. WALMSLEY PRODUCT SPEC: APPLICATION SPEC: SIZE: CAGE CODE: DRAWING NO: RESTRICTED TO: A1 00779 5749914

CUSTOMER DRAWING SCALE: 4:1 SHEET 1 OF 1 REV P1

TE TE Connectivity
CABLE CLAMP KIT, UNASSEMBLED, SIZE 1, QUIK-SNAP, 120 & 180 CABLE EXIT, AMPL