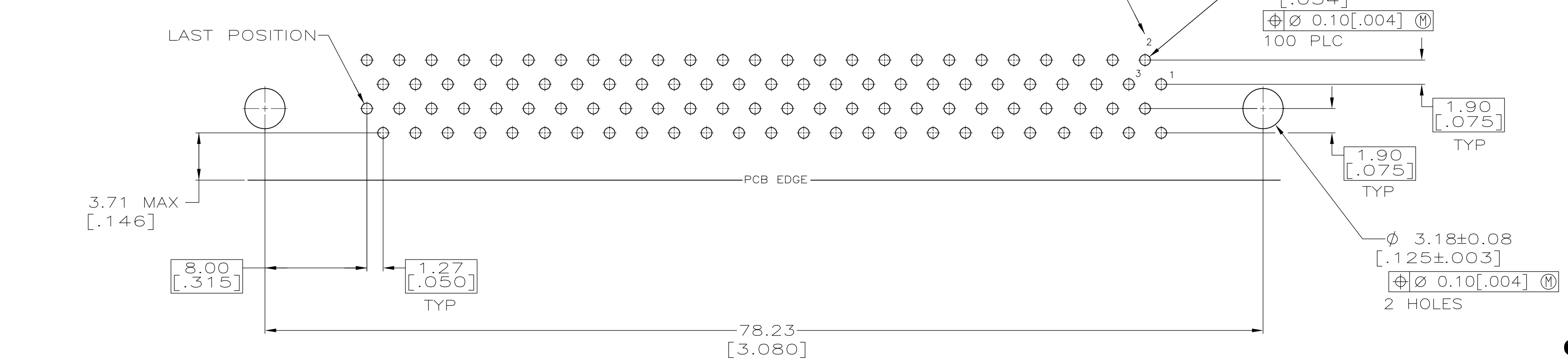
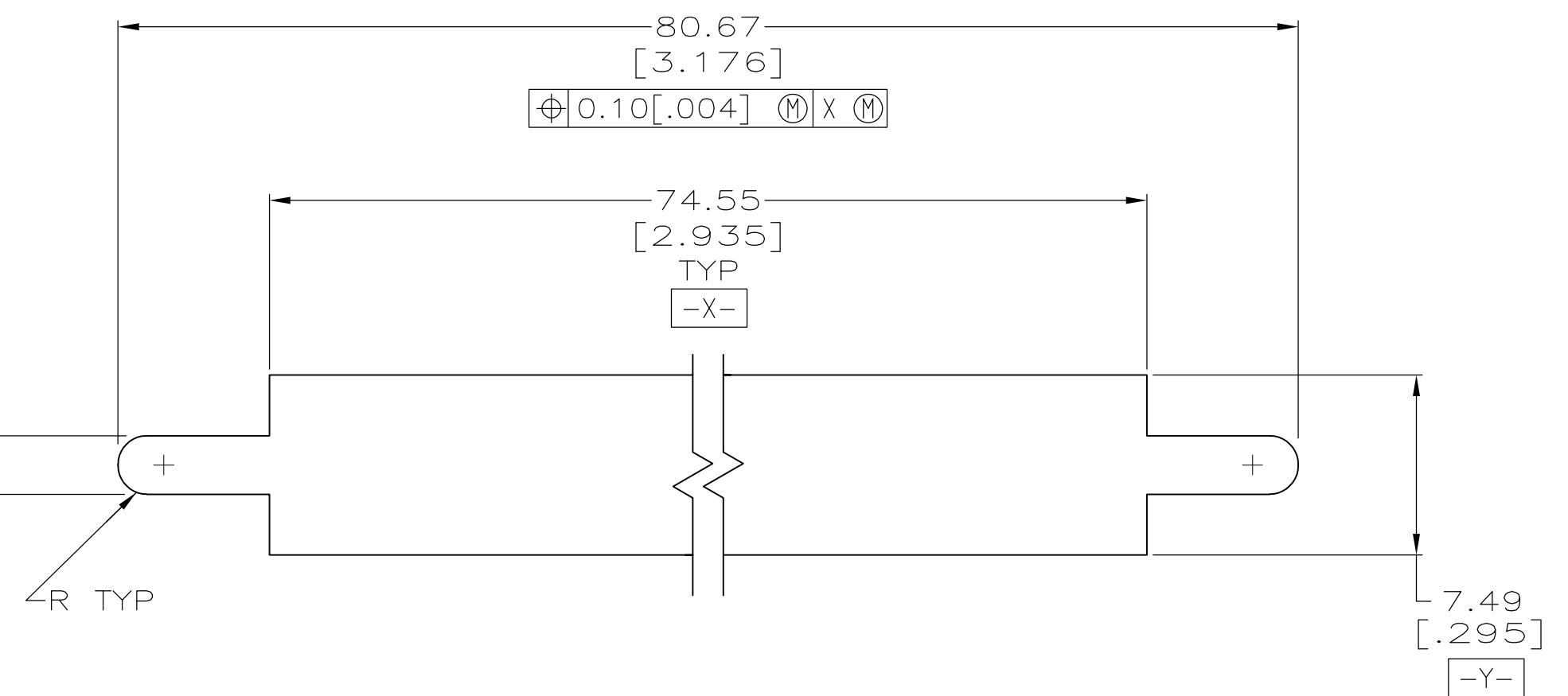
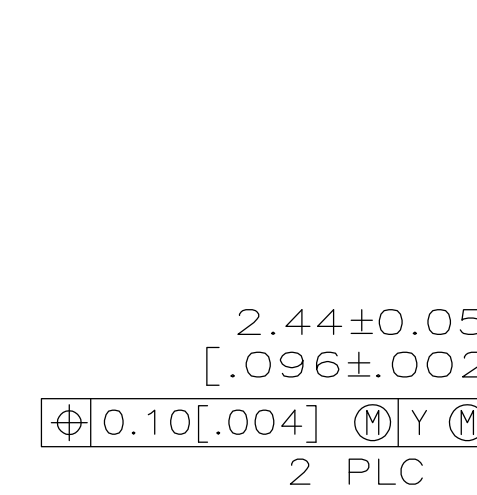
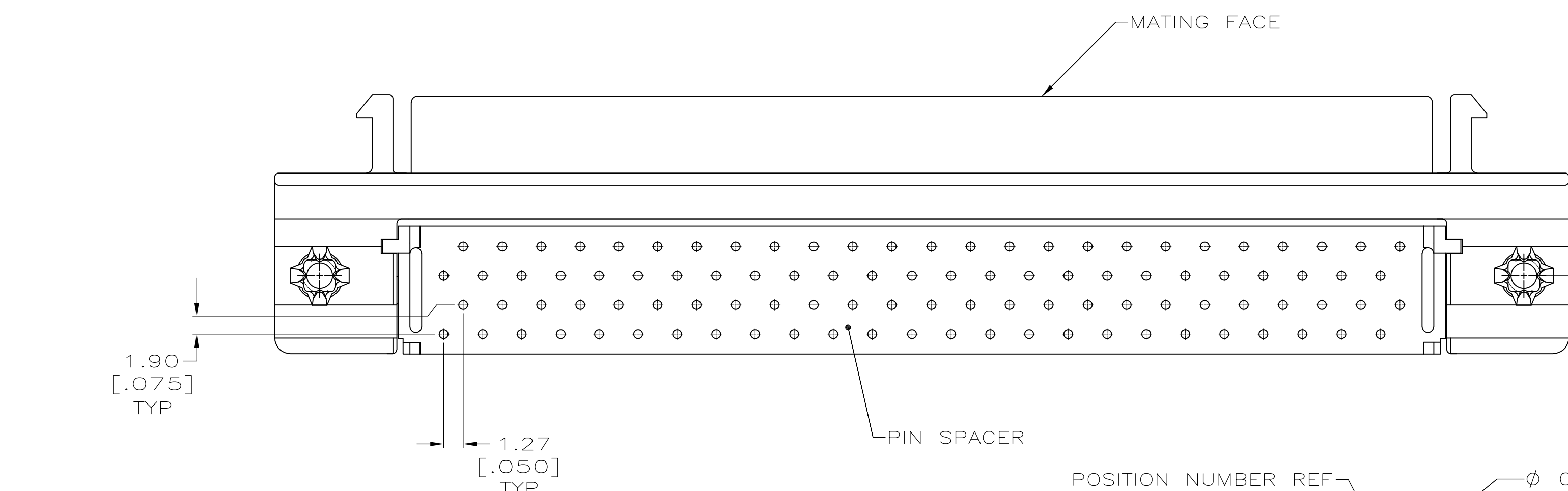
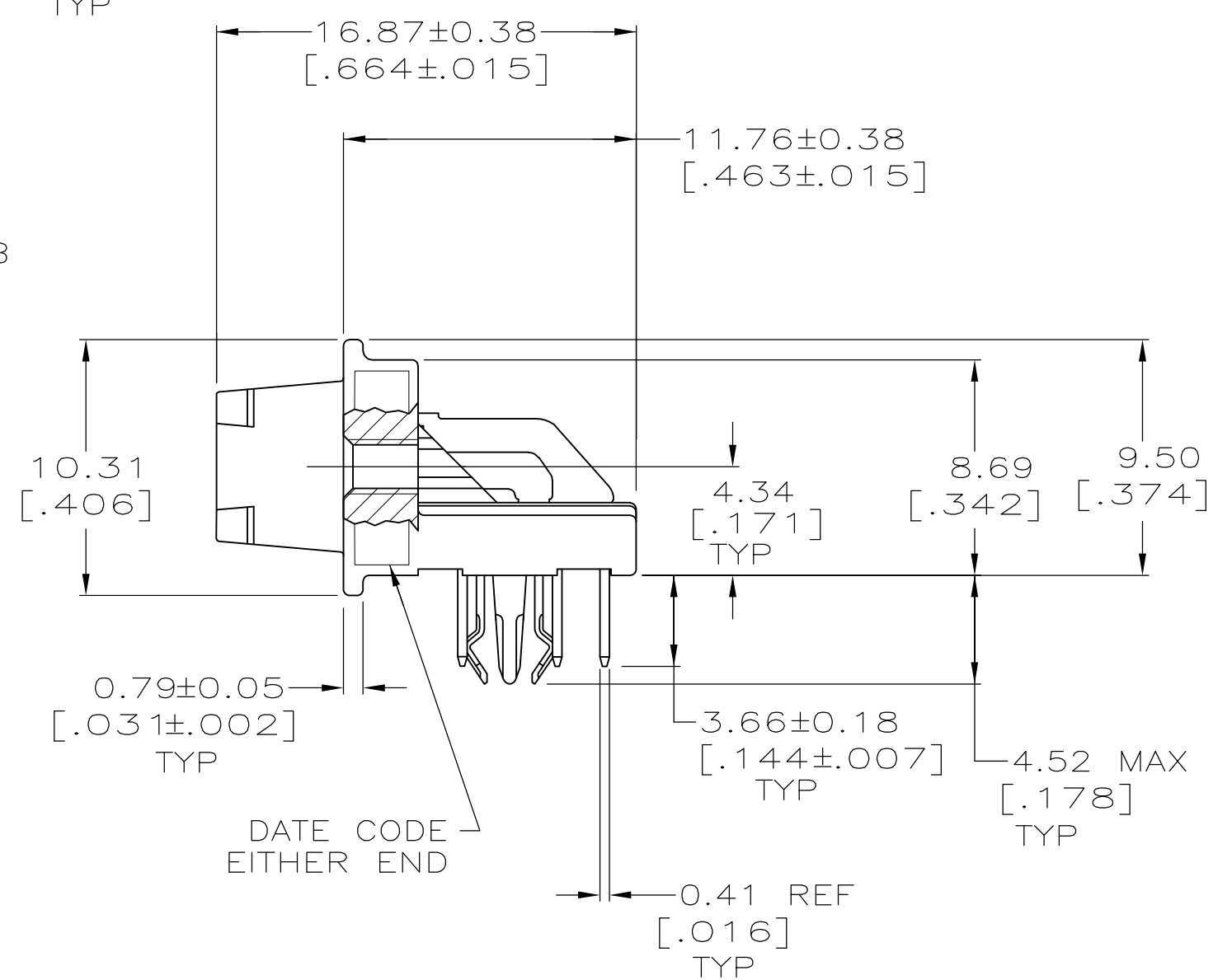
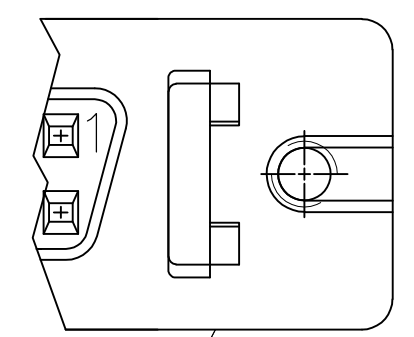
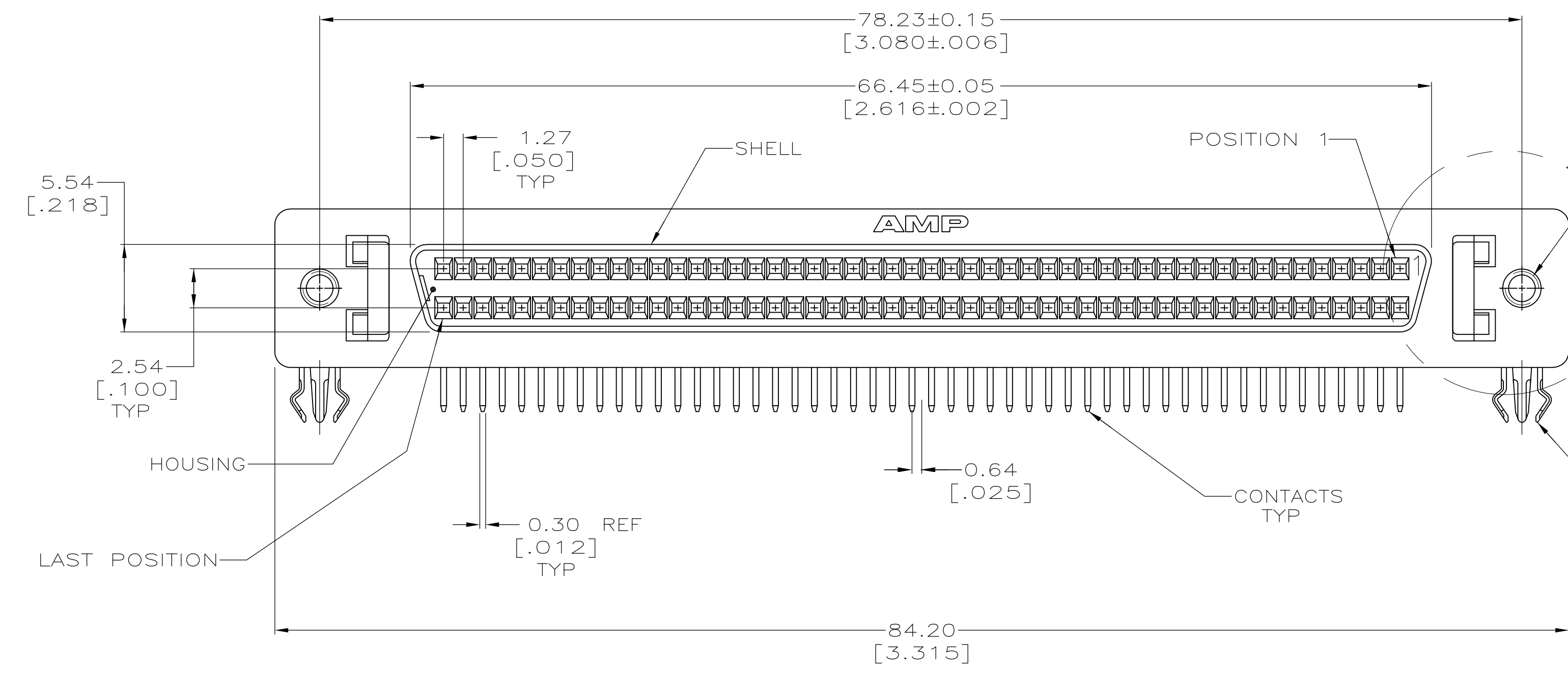


⚠ CONTACTS: PHOSPHOR BRONZE.
 HOUSING AND PIN SPACER: THERMOPLASTIC, UL 94V-0 RATED, BLACK
 BRACKET: ZINC.
 SHELL: CARBON STEEL.
 BOARDLOCKS: COPPER ALLOY.

⚠ CONTACTS: 0.76μm [.000030] MIN GOLD PLATE FOR A LENGTH OF 0.64 [.025] MAX, 0.13 [.005] MIN FROM MATING END OR GOLD FLASH OVER PALLADIUM NICKEL PLATE, 0.76μm [.000030] MIN TOTAL FOR A LENGTH OF 0.64 [.025] MAX, 0.13 [.005] MIN FROM MATING END. 3.81μm [.000150] MIN TIN ON OPPOSITE END FOR A LENGTH OF 3.84 [.151] MIN, ALL OVER 1.27μm [.000050] MIN NICKEL UNDERPLATE.
 BRACKET: 2.54μm [.000100] MIN NICKEL OVER 5.08μm [.000200] COPPER.
 SHELL: 5.08μm [.000200] MIN NICKEL OVER 1.27μm [.000050] MIN COPPER.
 BOARDLOCKS: 3.81μm [.000150] MIN TIN OVER 1.27μm [.000050] MIN NICKEL.



P.C. BOARD MOUNTING DIMENSIONS
 CONNECTOR SIDE
 P.C. BOARD THICKNESS 2.36±0.23 [.093±.009]

**COPYRIGHT 2005
 TYCO ELECTRONICS CORP
 ALL RIGHTS RESERVED**

100	5787942-9
NO OF POSN	PART NUMBER

THIS DRAWING IS A CONTROLLED DOCUMENT.		DWN L. VARELA - 02-14-05	Tyco Electronics Corporation Harrisburg, PA 17105-3608	
DIMENSIONS: mm [INCHES]		CHK S. SHUEY	NAME	
TOLERANCES UNLESS OTHERWISE SPECIFIED:		APP'D M. WALMSLEY	108-1228	
0 PLC	± -	PRODUCT SPEC	RECEPTACLE ASSEMBLY, SHIELDED, RIGHT ANGLE, .050 SERIES, AMPLIMITE	
1 PLC	± -	APPLICATION SPEC	114-40029	
2 PLC	± 0.13 [.005]	SIZE	CAGE CODE	DRAWING NO
3 PLC	± -	114-40029	A1	00779
4 PLC	± -	WEIGHT	©=5787942	
ANGLES	± -	CUSTOMER DRAWING	SCALE	SHEET
MATERIAL	FINISH		4:1	1 OF 1
				REV B