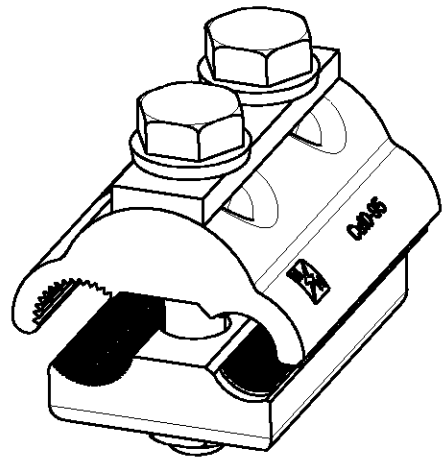
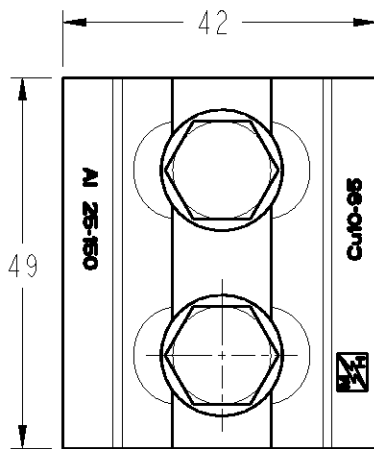
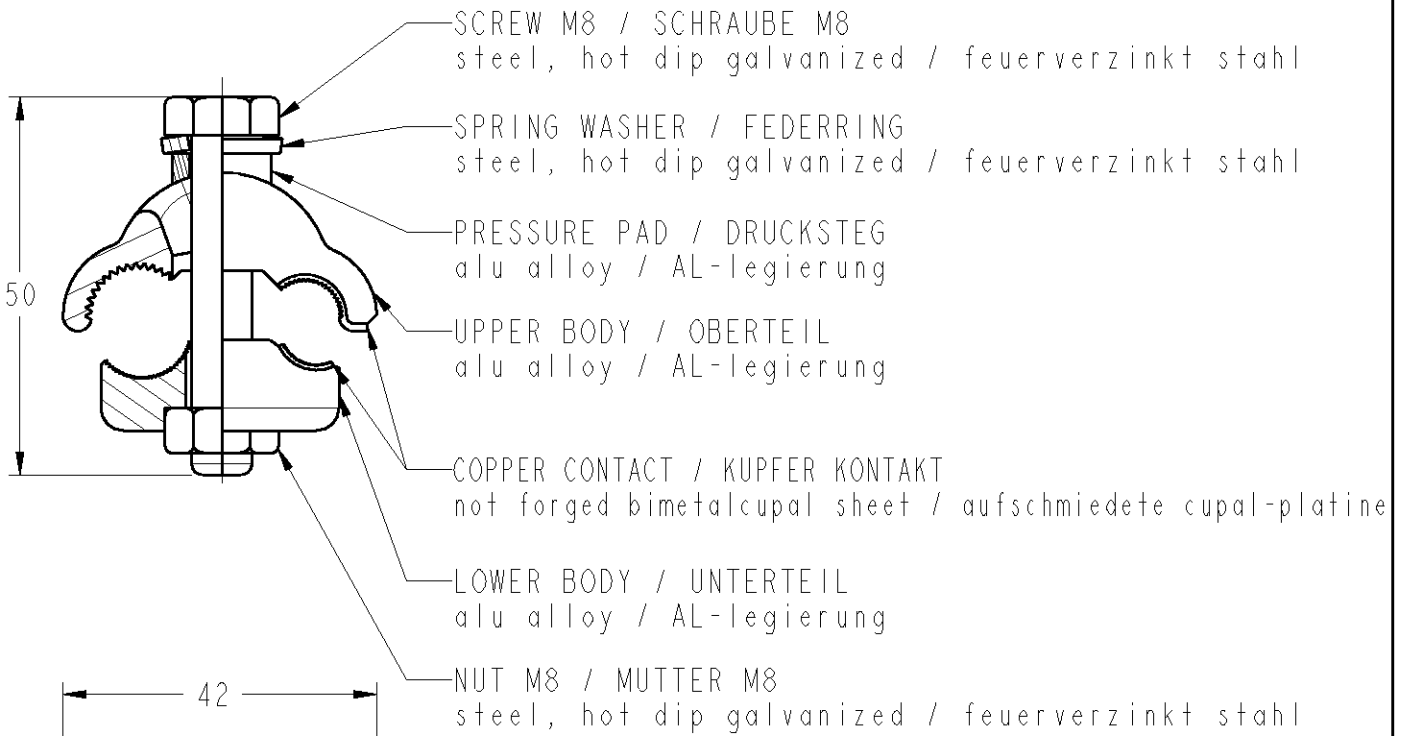


LOC	DIST	REVISIONS			
P	LTR REV	DESCRIPTION MODIFICATIONS	DATE	DWN DESS.	APVD APP.
FH	2	1	CREATION	26MAR2007	FB AG



Capacity / Klemmbereich : 25-150 mm<sup>2</sup> AL  
 10-95 mm<sup>2</sup> CU  
 25/4-120/20 mm<sup>2</sup> AL/St  
 Tightening torque / Anzugsmoment : 22 N.m

TOLERANCES UNLESS OTHERWISE SPECIFIED	-
TOLERANCES NON SPECIFIEES:	-
FINISH	-
FINITION	-

THIS DRAWING IS UNPUBLISHED.  
 DIFFUSION RESTREINTE

RELEASED FOR PUBLICATION  
 LIBRE A LA DIFFUSION

20

BY TYCO ELECTRONICS CORPORATION. ALL RIGHTS RESERVED.  
 TOUTS DROITS RESERVES.

© COPYRIGHT 20

DIMENSIONS:	mm
TOLERANCES UNLESS OTHERWISE SPECIFIED, TOLERANCES NON SPECIFIEES (SUIV. NR DE DECIMALES):	
0 PLC / DEC: ±0	
1 PLC / DEC: ±0	
2 PLC / DEC: ±0	
3 PLC / DEC: ±0	
4 PLC / DEC: ±0	
ANGLES	±

DWN/DESSINE F. BOARD	26MAR2007
CHK/VERIFIE G. NEDELLEC	-
APVD/APPROUVE A. GUICHARD	-
PRODUCT SPEC SPEC. PRODUIT	-
APPLICATION SPEC SPEC. APPLICATION	-
WEIGHT MASSE APPROX.	- g

MATERIAL MATIERE	-	FINISH FINITION	-
<b>Tyco Electronics</b>		SIMEL PRODUCTS	
NAME TITRE		HEL-3911	
SIZE FORMAT	CAGE CODE	DRAWING NO No PLAN	RESTRICTED TO RESERVE A
A4	-	C=6-1199000-5	-

CUSTOMER DRAWING /PLAN CLIENT	UNIQUEMENT POUR REFERENCE	SCALE ECHELLE	SHEET FEUILLE	OF DE	REV
-------------------------------	---------------------------	---------------	---------------	-------	-----