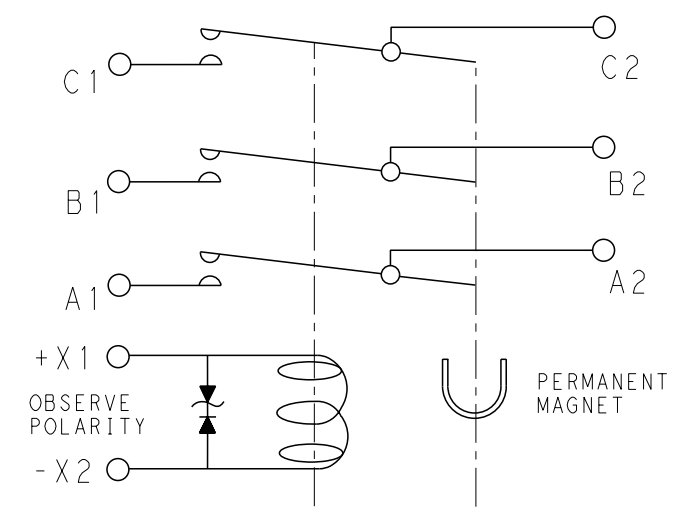


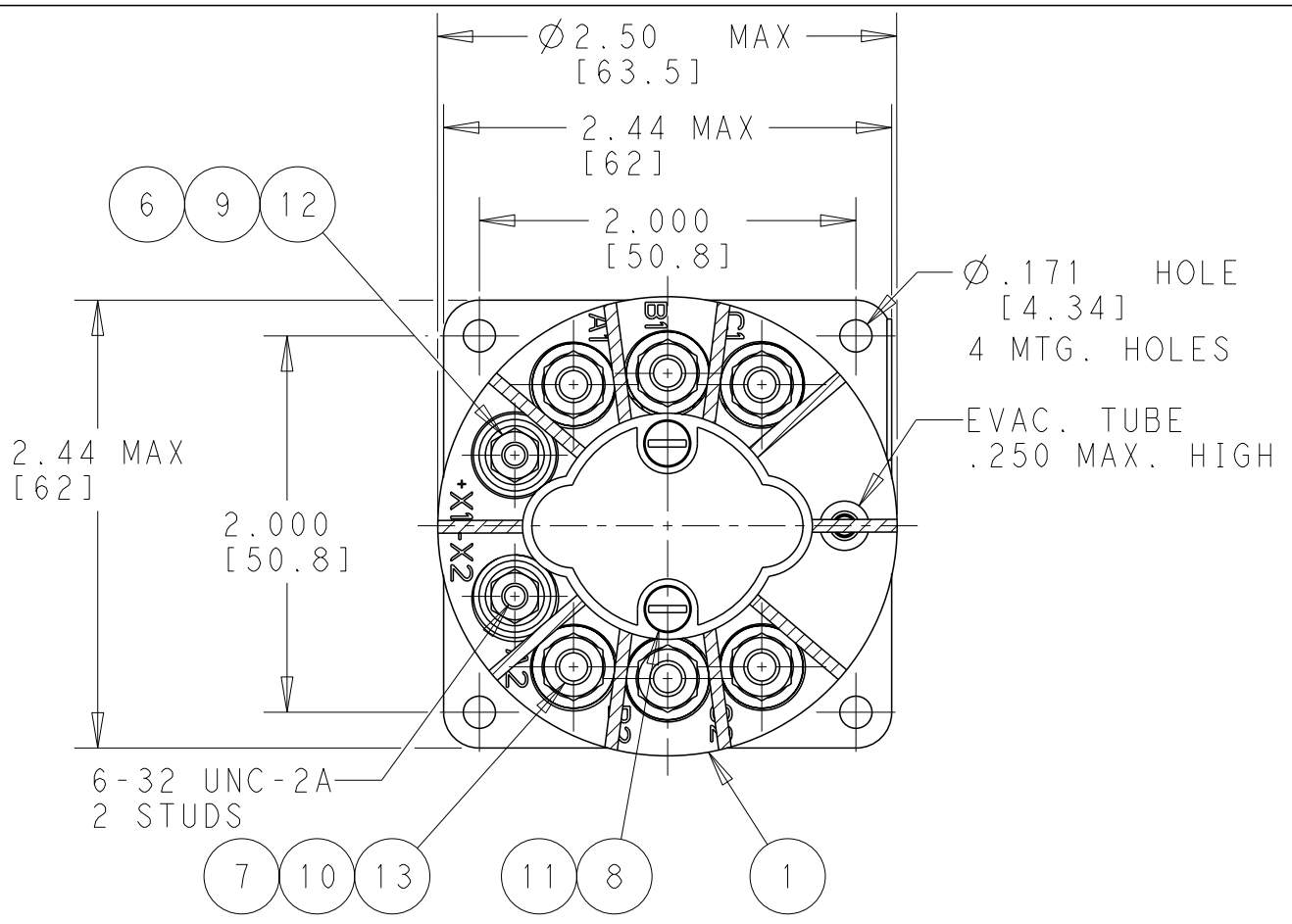
USED ON

TECHNICAL DATA

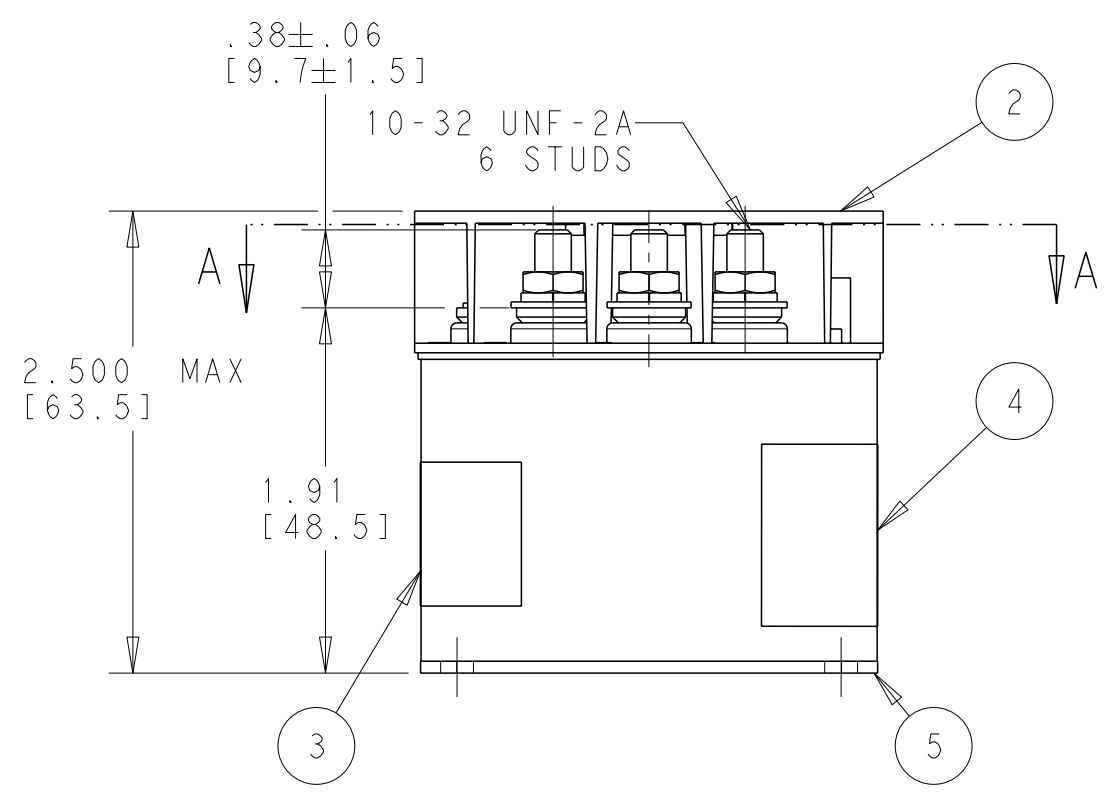
CONSTRUCTION HERMETICALLY SEALED
 MAIN CONTACTS CONFIGURATION 3PST
 VOLTAGE 115/200 VAC 400 HZ
 CURRENT: 50 AMP
 COIL DATA DUTY CYCLE CONTINUOUS
 COIL CURRENT .27 AMP AT 28 VDC AT 25°C
 NOMINAL OPERATE VOLTAGE 28 VDC
 MAX PICKUP VOLTAGE 18 VDC
 DROPOUT VOLTAGE 7.0 - 1.5 VDC
 ENVIRONMENTAL DATA AMBIENT TEMP. -55°C TO +71°C
 ALTITUDE 80,000 FT.
 LIFE ELECTRICAL 50,000 CYCLES MIN
 LIFE MECHANICAL 100,000 CYCLES MIN
 WEIGHT (EST.) 11 OZ.



CIRCUIT DIAGRAM



SECTION A - A



NOTE:

1. COIL TRANSIENT VOLTAGE LIMITED TO ±42 VOLTS REFERENCED TO ZERO VOLTS.

FIND NO	QTY RECD	PART OR IDENTIFYING NO	NOMENCLATURE OR DESCRIPTION	DRAWING OR SPECIFICATION	FSCM NO	TE PART NO	MATERIAL OR NOTE
13	6	51810-054	LOCKWASHER, #10 SPLIT			9-1616360-2	BRONZE
12	2	51806-014	WASHER LOCK #6 SPLIT			1616360-7	BRONZE
11	2	51805-011	WASHER LOCK NO 5 SPLIT			9-1616359-7	BRONZE
10	6	51712-194	WASHER 7/16 .203-ID .031-TK			2-1616359-6	
9	2	51702-144	FLAT WASHER			1-1616358-0	
8	2	51205-591	SCREW - 5-40 X 3/8 RD. HD.			0-1616346-5	BRASS
7	6	50410-054	NUT - 10-32 X 5/16 X 7/64 HEX.			9-1616338-5	BRASS
6	2	50406-034	NUT 6-32 X 1/4 X 3/32 HEX			5-1616337-3	BRASS
5	1	19875-150	PRIMARY ASSEMBLY			8-1616953-1	
4	1	18274-002	PLATE-WIRING DIAGRAM			0-1616954-6	
3	1	16043-001	PLATE - NAME			3-1616169-5	
2	1	15549-001	SHIELD - TERMINAL			9-1616165-8	
1	1	15537-008	COVER PLATE, BASE			5-1616165-0	

CAGE CODE: 74063		DWN	18/10/08	MATERIAL		HEAT TREAT	
Hartman Division 175 N. DIAMOND STREET MANSFIELD, OHIO 44902		CHK	18/10/08	TE Connectivity			
DIMENSIONS: INCHES (mm)		RV	18/10/08				
TOLERANCES UNLESS OTHERWISE SPECIFIED:		APVD	18/10/08				
0 PLC ±		NAME CONTACTOR - 3PST HERMETICALLY SEALED		DH7MAB			
1 PLC ±		SCALE NONE		SIZE A3		DRAWING NO 6-1616953-2	
2 PLC ±.03		SHEET 1 OF 1		REV C			
3 PLC ±.010							
4 PLC ±							
ANGLES ± 1°							
SURFACE TEXTURE							

REV	DESCRIPTION	DATE	BY	CHKD
C	18-010103; ITEM 10 HARTMAN PN CORRECTED TO 51712-194	18/06/26	KK	DW
B	15-004650; TRANSIENT VOLTAGE ±42V WAS ±45V	15/03/24		MDM
A	RELEASED	05/12/15		FS
LTR	REVISION RECORD	DATE	DWN	APVD

DWG NO 6-1616953-2
 THIS DRAWING IS A CONTROLLED DOCUMENT

THIS INFORMATION IS CONFIDENTIAL AND PROPRIETARY TO TE CONNECTIVITY LTD. AND ITS WORLDWIDE SUBSIDIARIES AND AFFILIATES (TE). IT MAY NOT BE DISCLOSED TO ANYONE, OTHER THAN TE PERSONNEL, WITHOUT AUTHORIZATION FROM TE (www.te.com).