

4

3

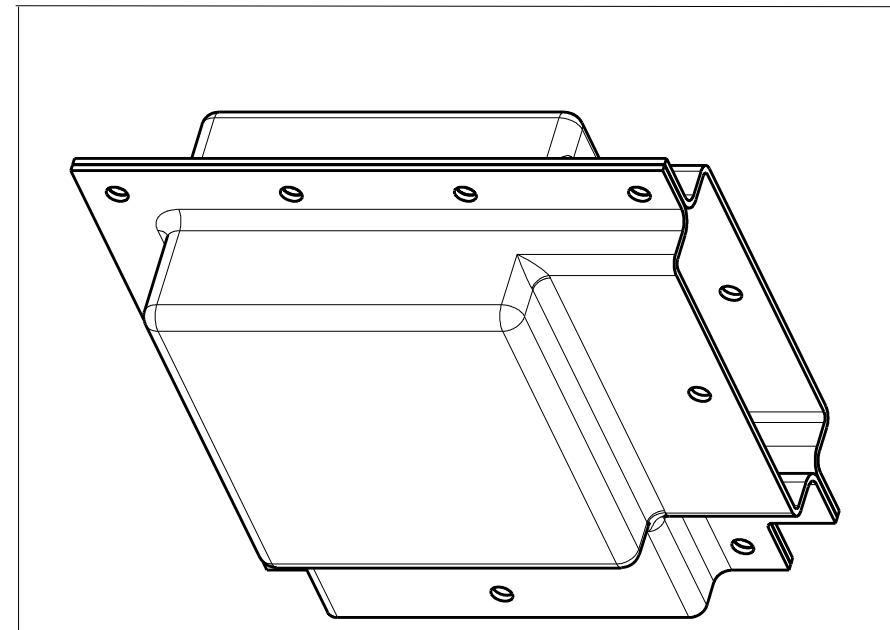
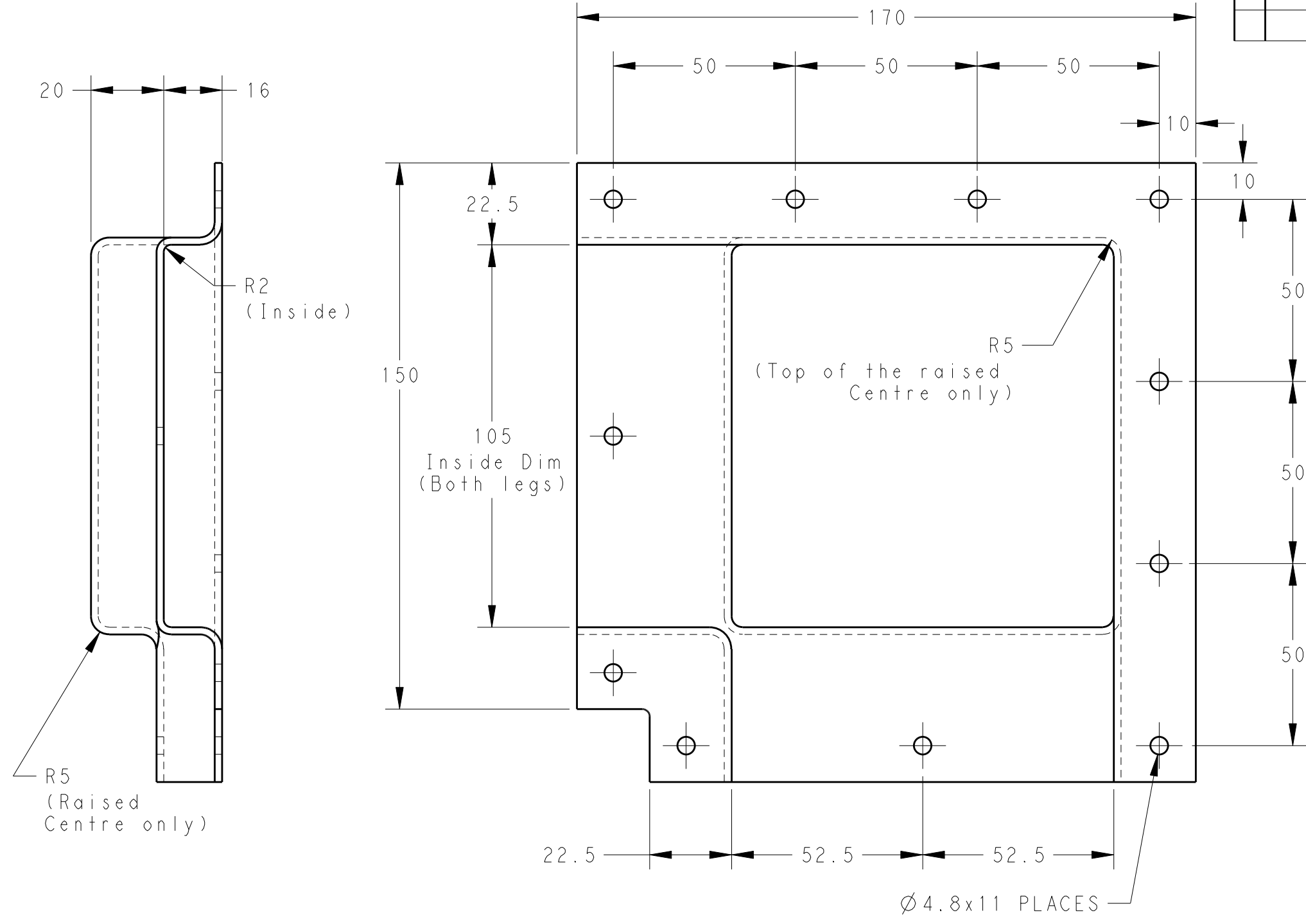
2

1

THIS DRAWING IS UNPUBLISHED. RELEASED FOR PUBLICATION 20
© COPYRIGHT 20 BY TYCO ELECTRONICS CORPORATION ALL RIGHTS RESERVED.

LOC	DIST
-	-

REVISIONS				
P	LTR	DESCRIPTION	DATE	APVD
	A	Hole Size Changes from 6mm to 4.8mm and Note No.3 Changes.	04SEP2012	I.B



THIS DRAWING IS A CONTROLLED DOCUMENT.

DIMENSIONS: mm	TOLERANCES UNLESS OTHERWISE SPECIFIED:
	0 PLC ±
	1 PLC ±0.5
	2 PLC ±0.13
	3 PLC ±0.013
	4 PLC ±0.0081
	ANGLES ±

MATERIAL - FINISH -

DWN	Vishnu	27JUN2012
CHK	I. Bond	27JUN2012
APVD	I. Bond	27JUN2012

PRODUCT SPEC	-
APPLICATION SPEC	-
WEIGHT	-

CUSTOMER DRAWING

TE Connectivity		NAME	
		BMOD-LV-100-L11-02(B12)	
SIZE	CAGE CODE	DRAWING NO	RESTRICTED TO
A3	00779	C-6-1899738-5	-
SCALE 1:1		SHEET 1 OF 2	REV A

THIS DRAWING IS UNPUBLISHED.

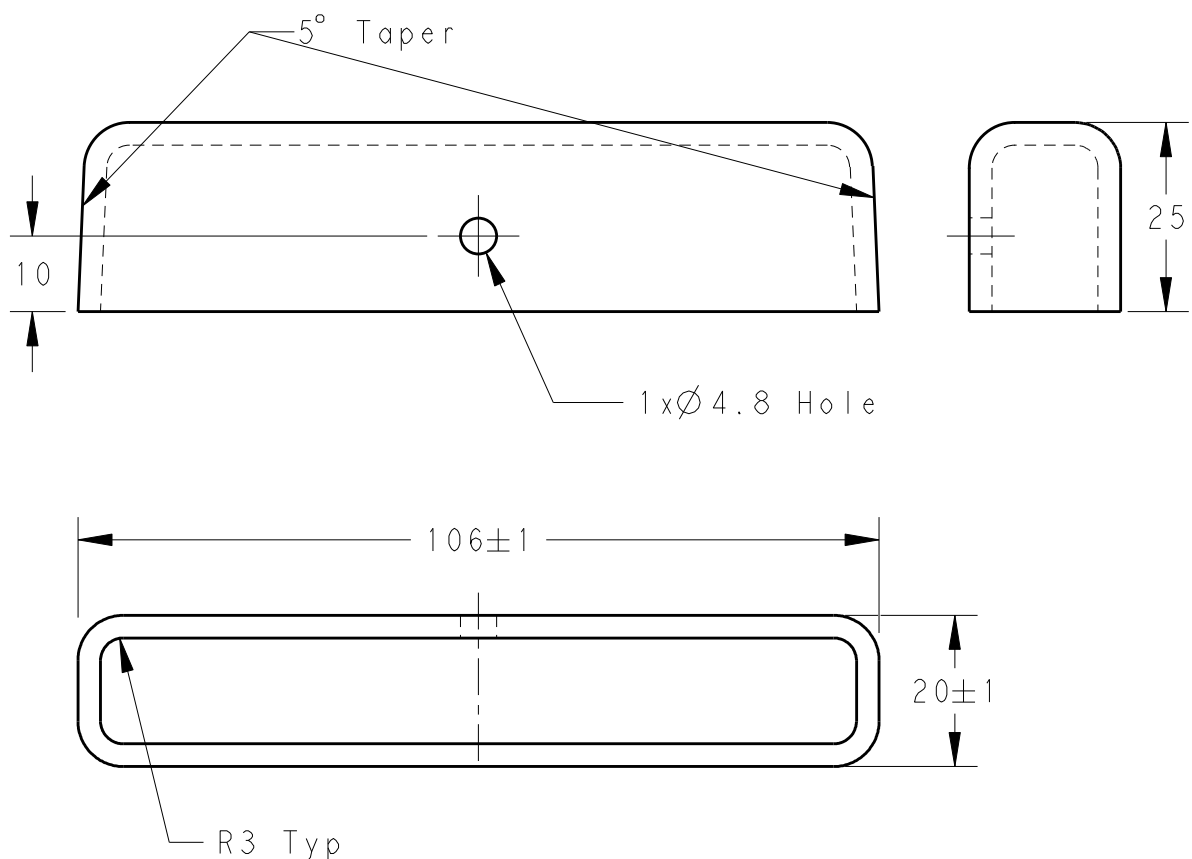
RELEASED FOR PUBLICATION

20

© COPYRIGHT 20 BY TYCO ELECTRONICS CORPORATION ALL RIGHTS RESERVED.

LOC	DIST	REVISIONS			
P	LTR	DESCRIPTION	DATE	DWN	APVD
-	-	SEE SHEET 1	-	-	-

PLUG PIECE:



NOTES:

1. Parts shall be kitted 24pcs per box, 12 pairs of covers
2. Parts shall be supplied in the open position
3. Parts shall be kitted with 11 x LVIC-RIV-TS555 PCN: 319851-000, or with Raysulate equivalent part, per pair of covers.
4. 2 x Plugs to be kitted per pair of covers
5. Parts shall be kitted with Installation Instruction: ESD-6065-6/12 per box.



SCALE 1:2

(Isometric view for external referenc only)

THIS DRAWING IS A CONTROLLED DOCUMENT.

DIMENSIONS: mm	TOLERANCES UNLESS OTHERWISE SPECIFIED:
	0 PLC ± 1 PLC ±0.5 2 PLC ±0.13 3 PLC ±0.013 4 PLC ±0.000 ANGLES ±
MATERIAL -	FINISH -

DWN Vishnu	27JUN2012
CHK I Bond	27JUN2012
APVD I Bond	27JUN2012
PRODUCT SPEC	-
APPLICATION SPEC	-
WEIGHT	-
CUSTOMER DRAWING	

TE Connectivity		NAME	
		BMOD-LV-100-L11-02(B12)	
SIZE	CAGE CODE	DRAWING NO	RESTRICTED TO
A3	00779	6-1899738-5	-
SCALE 1:1		SHEET 2 OF 2	REV A