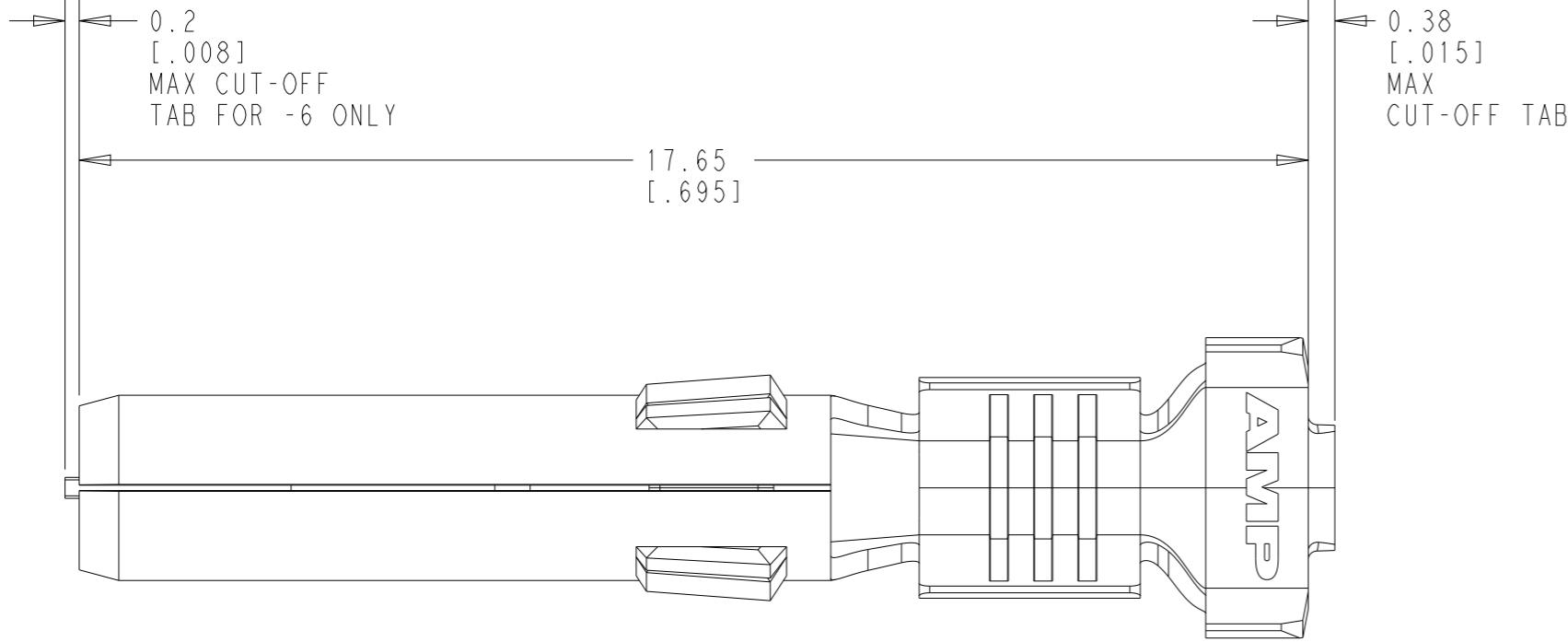


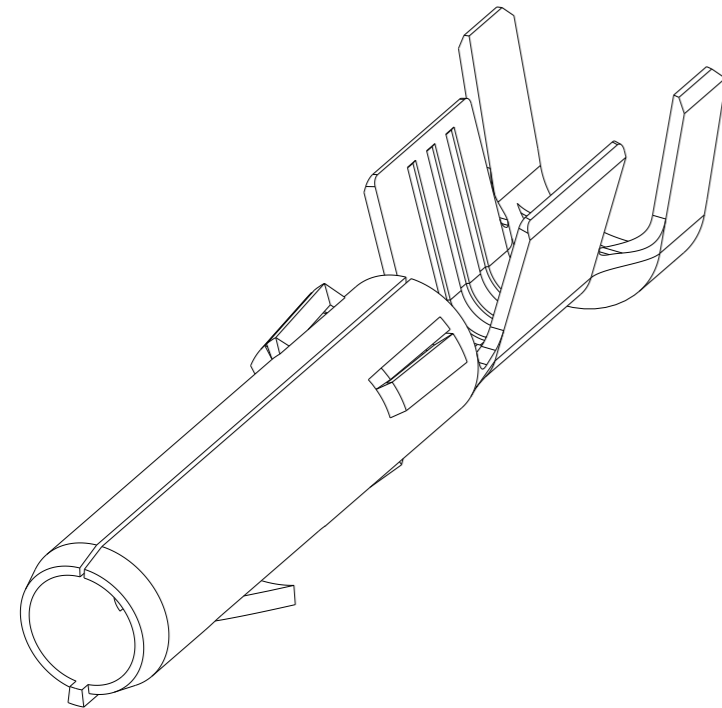
P	LTR	DESCRIPTION	DATE	DWN	APVD
T1		REVISED PER ECO-11-005294	05APR2011	-	HMR
T2		REVISED PER ECN-23-233438	02OCT2023	WS	VS



NOTES:

- FOR ADDITIONAL INFORMATION SEE DRAWING 61117
- THIS TERMINAL IS SUPPLIED IN INDIVIDUAL FORM, NOT AS A CONTINUOUS STRIP.
- NICKEL ON ENTIRE TERMINAL WITH .000030 GOLD OVER INSIDE OF MATING AREA AND WIRE BARREL.
- WIRE RANGE: 0.5 - 2mm² [20 - 14 AWG].
- INSULATION RANGE: 3.30[.130] MAX DIA.
- DIMENSIONS IN BRACKETS ARE IN INCHES.

GOLD	.012 PH.BRZ	60619-7
GOLD	.012 BRASS	60619-5
TIN	.012 PH.BRZ	60619-4
TIN	.012 BRASS	60619-1
FINISH	MATERIAL	PART NUMBER



SCALE 8:1

THIS DRAWING IS A CONTROLLED DOCUMENT.		DWN M. FEHER 19NOV1979	TE Connectivity NAME SOCKET, LOOSE PIECE COMMERCIAL MATE-N-LOK -					
DIMENSIONS: mm [INCHES]		CHK D. S. HEIDE 04JAN1980			PRODUCT SPEC 108-1000			
TOLERANCES UNLESS OTHERWISE SPECIFIED:		APVD V. SHEETAR 02OCT2023			APPLICATION SPEC 114-1012			
0 PLC ±- 1 PLC ±- 2 PLC ±- ±0.38 3 PLC ±- [.015] 4 PLC ±- ANGLES ±-		WEIGHT -			RESTRICTED TO -			
MATERIAL - SEE TABLE	FINISH - SEE TABLE	CUSTOMER DRAWING	SIZE A3	CAGE CODE 00779	DRAWING NO G-60619	SCALE 10:1	SHEET 1 OF 1	REV T2