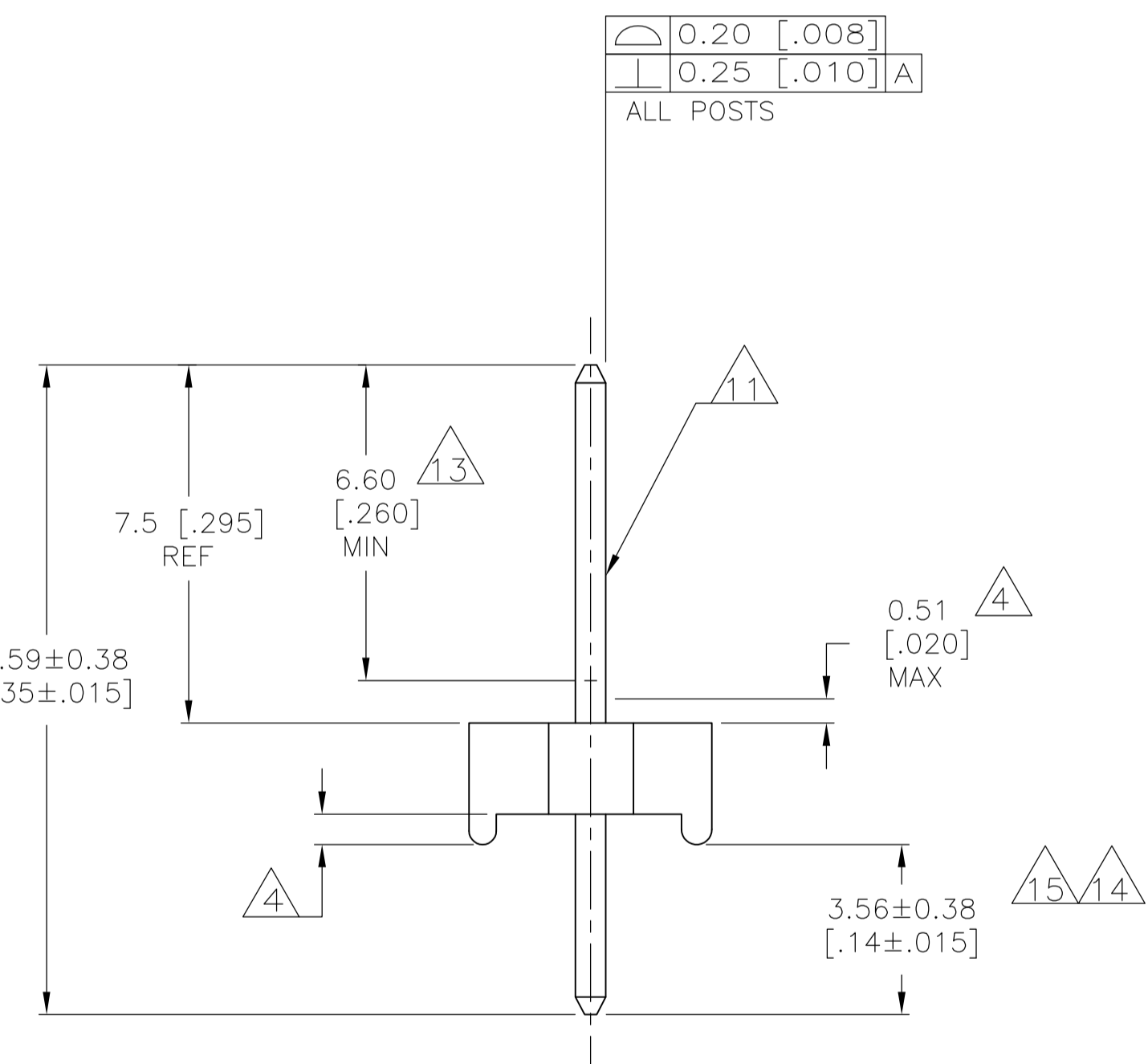
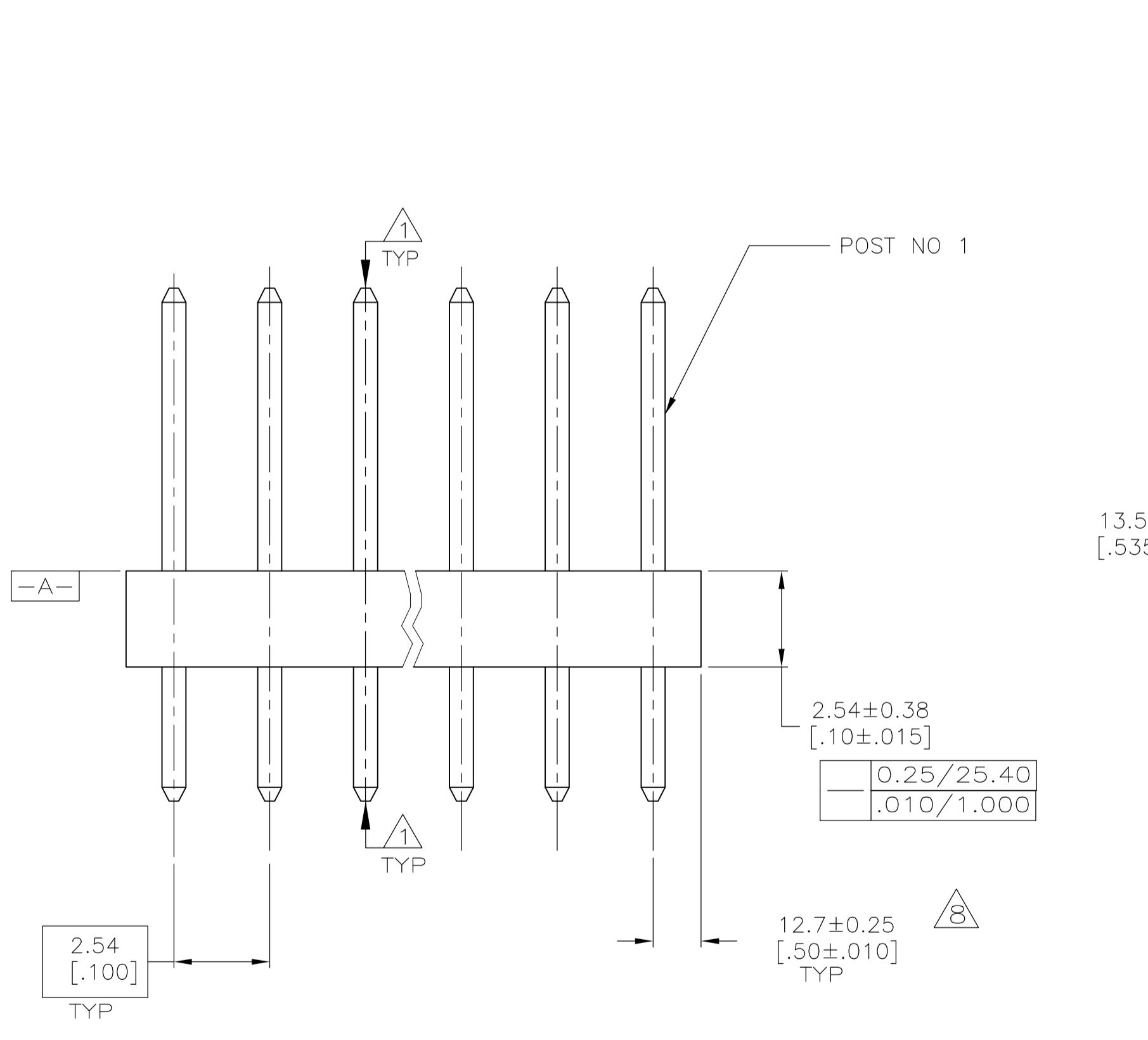
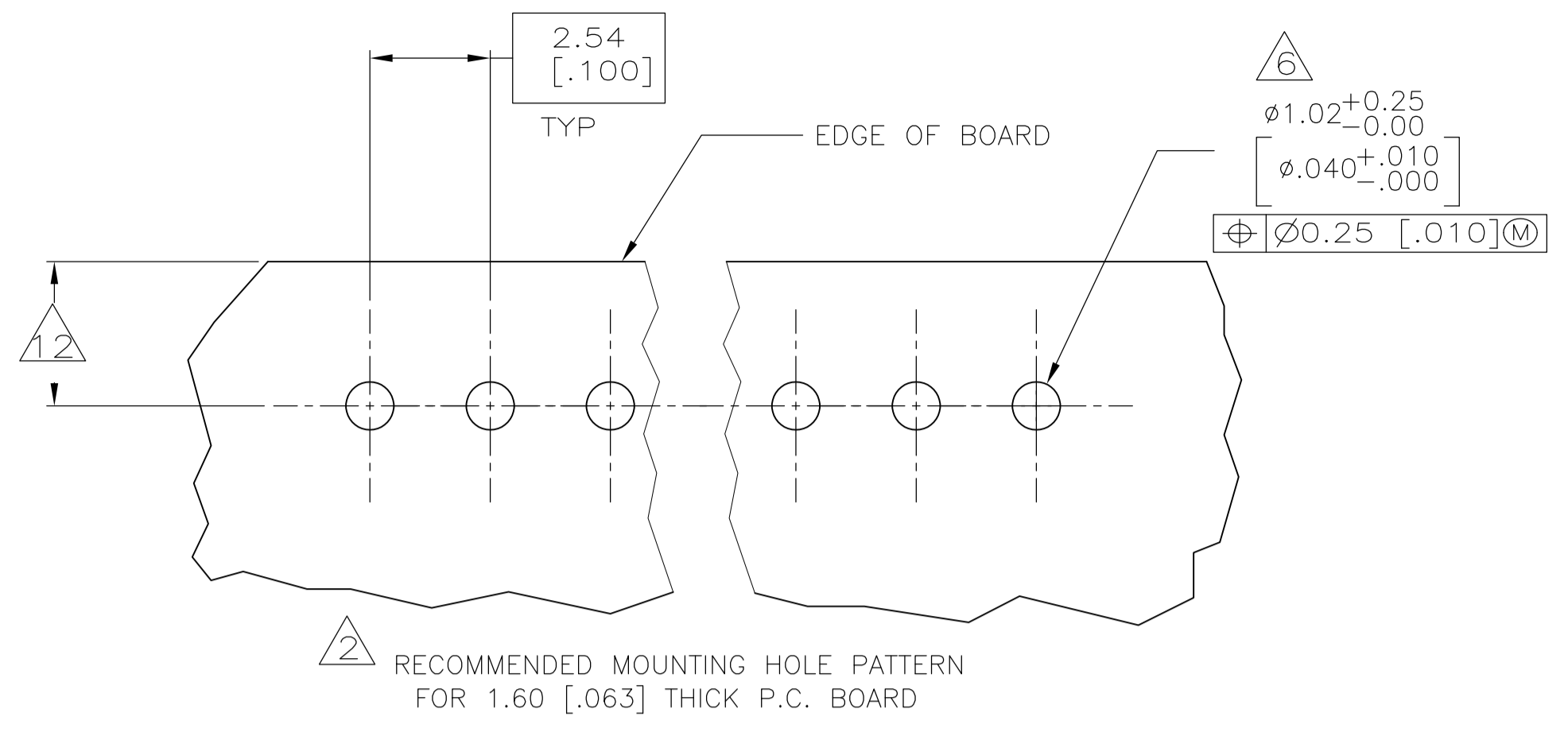
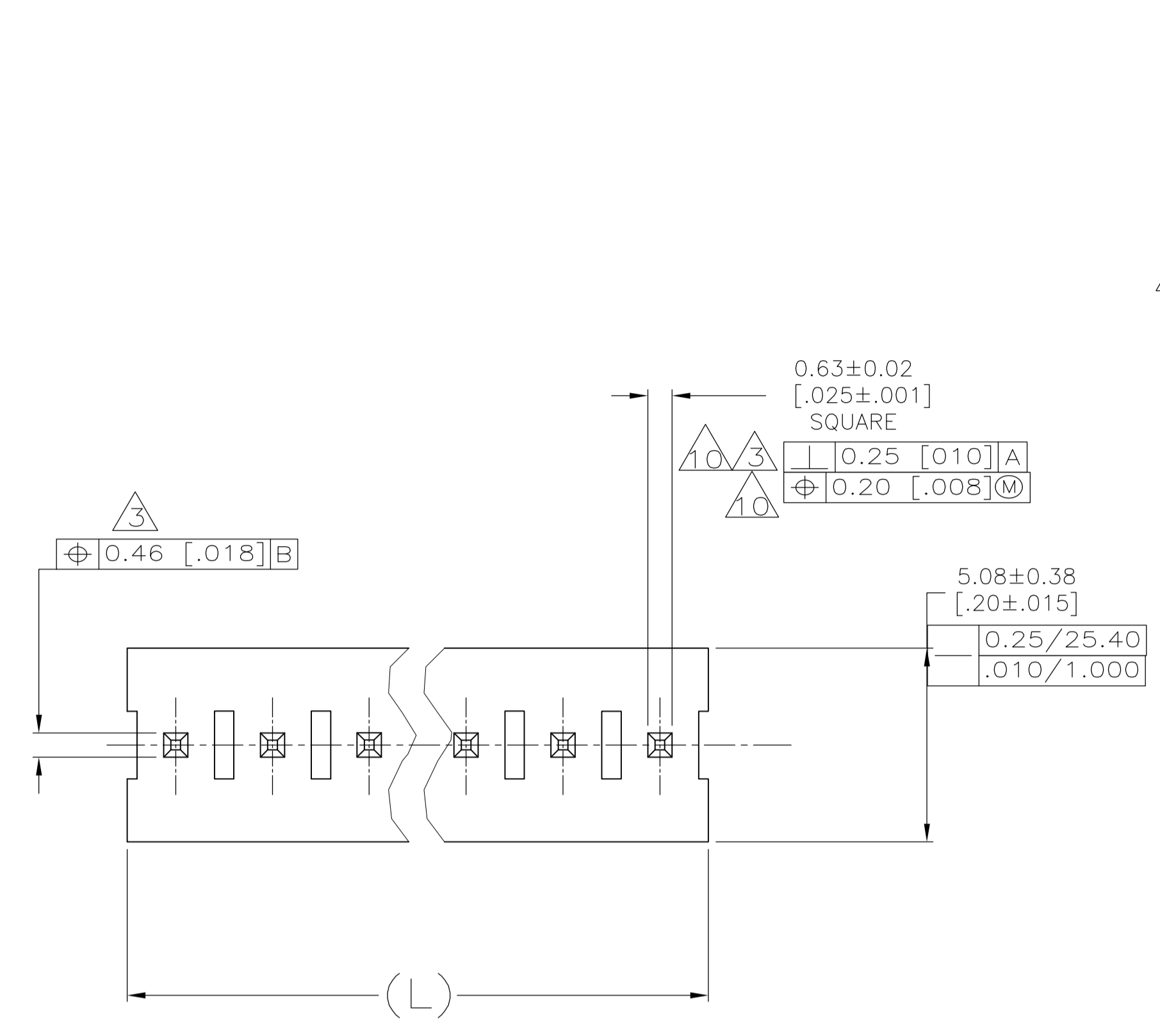


REVISIONS				
REV	DATE	BY	APPV	DESCRIPTION
U2	04MAR2016	NK	NL	REVISED PER ECR-15-014064



- 1 POST TO WITHSTAND 13 NEWTONS (3 LBS) MINIMUM AXIAL FORCE IN BOTH DIRECTIONS SHOWN WITHOUT DISLODGING.
- 2 TOLERANCES APPLY TO SOLDER SIDE OF BOARD.
- 3 MEASURED AT $-A-$
- 4 PLASTIC FLASH PERMITTED IN THIS AREA.
- 5 PARTS COMPLY WITH AMP SOLDERABILITY SPEC. NO. 109-11-2.
- 6 ONE HOLE MAY BE UNDERSIZED 0.81-0.89 [.032-.035] DIA. FOR ASSEMBLY RETENTION DURING WAVE SOLDERING.
- 7 MATERIAL: HEADER-THERMOPLASTIC POLYESTER
94V-0 (NATURAL)
POST-COPPER ALLOY
FINISH-USE PLATING NOTES 13 & 14 FOR -2 THRU -28
AND NOTES 13 & 15 FOR -32 THRU -58
- 8 COORDINATE DIMENSION APPLIES FROM CENTER OF ACTUAL FEATURE.
- 9 PLASTIC BURRS CAUSED BY CUT-OFF TOOLING ARE PERMITTED WITHIN THE MAXIMUM TOLERANCE ENVELOPE.
- 10 POSTS TO BE MEASURED WHEN STRIP IS HELD FLAT.
- 11 POST MUST WITHSTAND TWO 90° BENDS AGAINST EXTRUSION WITHOUT BREAKING.
- 12 DIMENSION SHOULD BE 3.05 [.120] MIN WHEN MATING WITH A MTA-100 CONNECTOR ASSEMBLY OR A CST-100 CONNECTOR ASSEMBLY.
- 13 PLATING: GOLD PLATE AREA, 0.00038 [.000015] GOLD OR 0.00008 [.000003] MIN GOLD FLASH OVER 0.00030 [.000012] PALLADIUM NICKEL, PER TE CONNECTIVITY'S DISCRETION, ALL SIDES, OVER NICKEL UNDERPLATE, .00127 [.000050] MIN, ALL SIDES AND ENTIRE LENGTH OF POST.
- 14 PLATING: BRIGHT TIN/LEAD (93/7) PLATE AREA, 0.00381-0.00889 [.000150-.000350] THICK, ALL FOUR SIDES 3.56 [.140] MINIMUM.
- 15 PLATING: MATTE TIN PLATE AREA, 0.00381-0.00889 [.000150-.000350] THICK, ALL FOUR SIDES 3.56 [.140] MINIMUM.
- 16 OBSOLETE PARTS: OBSOLETE CIS STREAMLINING PER D.RENAUD/D.SINISI

DIM (L)	NO.OF POSN	ASSEMBLY	LEAD FREE	CONTAINS LEAD	DIM (L)	NO.OF POSN	ASSEMBLY
71.12 [2.800]	28	5-641122-8	16	16	71.12 [2.800]	28	2-641122-8
68.58 [2.700]	27	5-641122-7	16	16	68.58 [2.700]	27	2-641122-7
66.04 [2.600]	26	5-641122-6	16	16	66.04 [2.600]	26	2-641122-6
63.50 [2.500]	25	5-641122-5	16	16	63.50 [2.500]	25	2-641122-5
60.96 [2.400]	24	5-641122-4	16	16	60.96 [2.400]	24	2-641122-4
58.42 [2.300]	23	5-641122-3	16	16	58.42 [2.300]	23	2-641122-3
55.88 [2.200]	22	5-641122-2	16	16	55.88 [2.200]	22	2-641122-2
53.34 [2.100]	21	5-641122-1	16	16	53.34 [2.100]	21	2-641122-1
50.80 [2.000]	20	5-641122-0	16	16	50.80 [2.000]	20	2-641122-0
48.26 [1.900]	19	4-641122-9	16	16	48.26 [1.900]	19	1-641122-9
45.72 [1.800]	18	4-641122-8	16	16	45.72 [1.800]	18	1-641122-8
43.18 [1.700]	17	4-641122-7	16	16	43.18 [1.700]	17	1-641122-7
40.64 [1.600]	16	4-641122-6	16	16	40.64 [1.600]	16	1-641122-6
38.10 [1.500]	15	4-641122-5	16	16	38.10 [1.500]	15	1-641122-5
35.56 [1.400]	14	4-641122-4	16	16	35.56 [1.400]	14	1-641122-4
33.02 [1.300]	13	4-641122-3	16	16	33.02 [1.300]	13	1-641122-3
30.48 [1.200]	12	4-641122-2	16	16	30.48 [1.200]	12	1-641122-2
27.94 [1.100]	11	4-641122-1	16	16	27.94 [1.100]	11	1-641122-1
25.40 [1.000]	10	4-641122-0	16	16	25.40 [1.000]	10	1-641122-0
22.86 [900]	9	3-641122-9	16	16	22.86 [900]	9	-641122-9
20.32 [800]	8	3-641122-8	16	16	20.32 [800]	8	-641122-8
17.78 [700]	7	3-641122-7	16	16	17.78 [700]	7	-641122-7
15.24 [600]	6	3-641122-6	16	16	15.24 [600]	6	-641122-6
12.70 [500]	5	3-641122-5	16	16	12.70 [500]	5	-641122-5
10.16 [400]	4	3-641122-4	16	16	10.16 [400]	4	641122-4
7.62 [300]	3	3-641122-3	16	16	7.62 [300]	3	-641122-3
5.08 [200]	2	3-641122-2	16	16	5.08 [200]	2	-641122-2

THIS DRAWING IS A CONTROLLED DOCUMENT. DIM S: HOOPER 26-JAN-2005. DIM: D. ROSSI 26-JAN-2005. DIM: D. ROSSI 26-JAN-2005.

DIMENSIONS: mm [INCHES]. TOLERANCES UNLESS OTHERWISE SPECIFIED: 0 PLC ±, 1 PLC ±, 2 PLC ±, 3 PLC ±, 4 PLC ±, ANGLES ±.

MATERIAL: 7. FINISH: 7.

APPROVED: D. ROSSI. PRODUCT SPEC: -. APPLICATION SPEC: -. WEIGHT: -. SIZE: A1. CAGE CODE: 00779. DRAWING NO: 641122. RESTRICTED TO: CUSTOMER DRAWING. SCALE: 8:1. SHEET: 1 OF 1. REV: U2.

STE TE Connectivity. MTA- .100 HDR ASSY, PLAIN, .025 SQUARE STRAIGHT POST, .000015 GOLD PLATED.