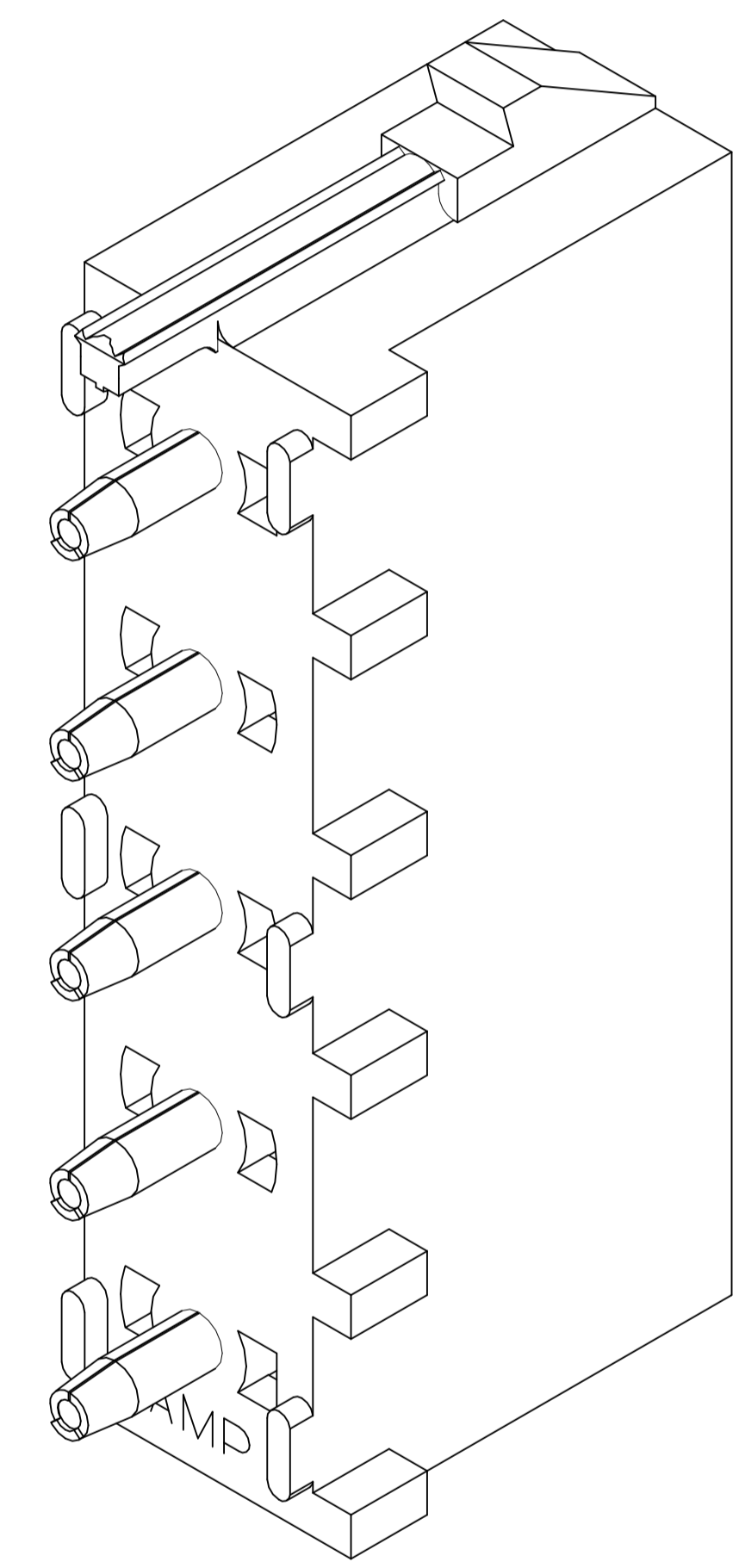
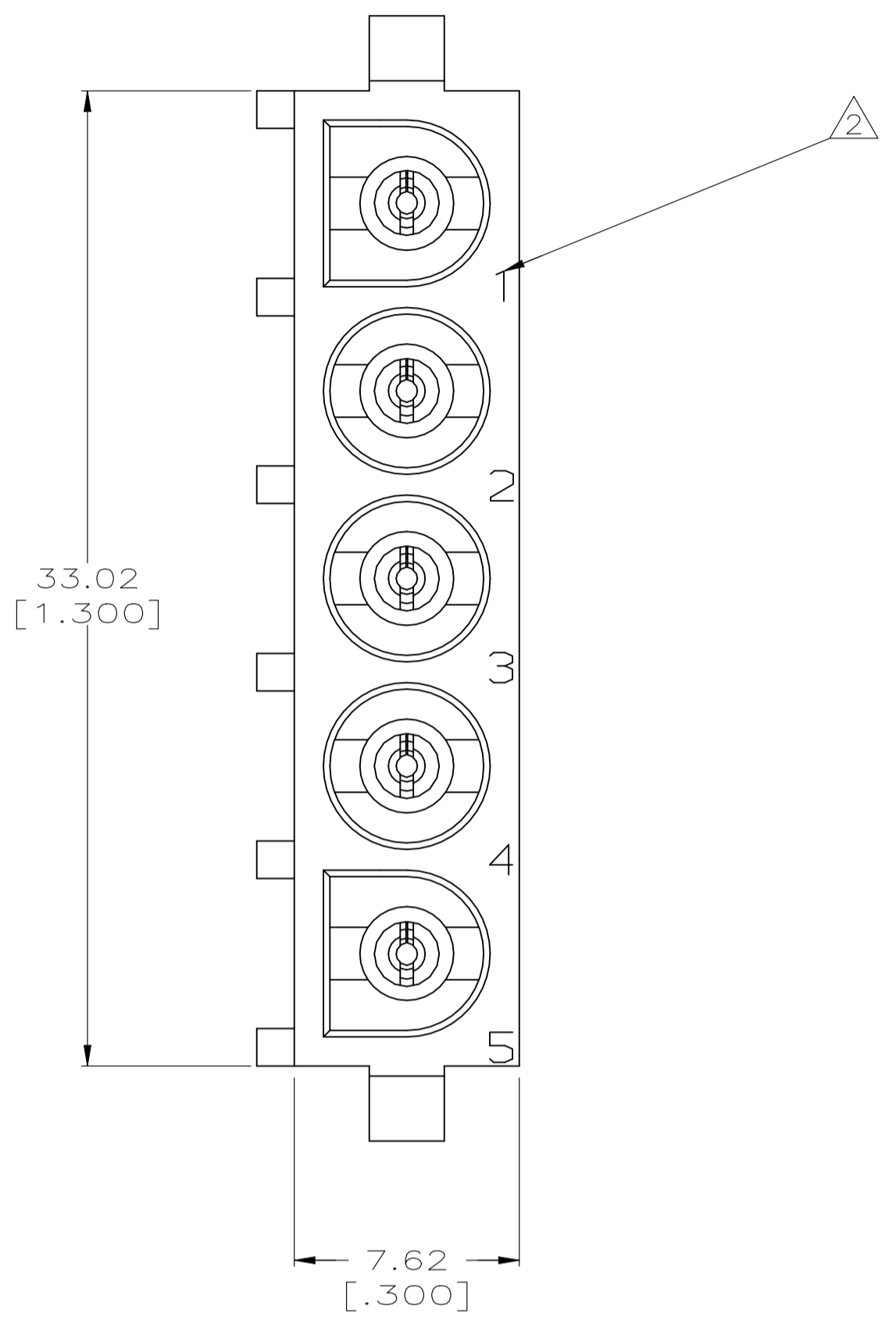
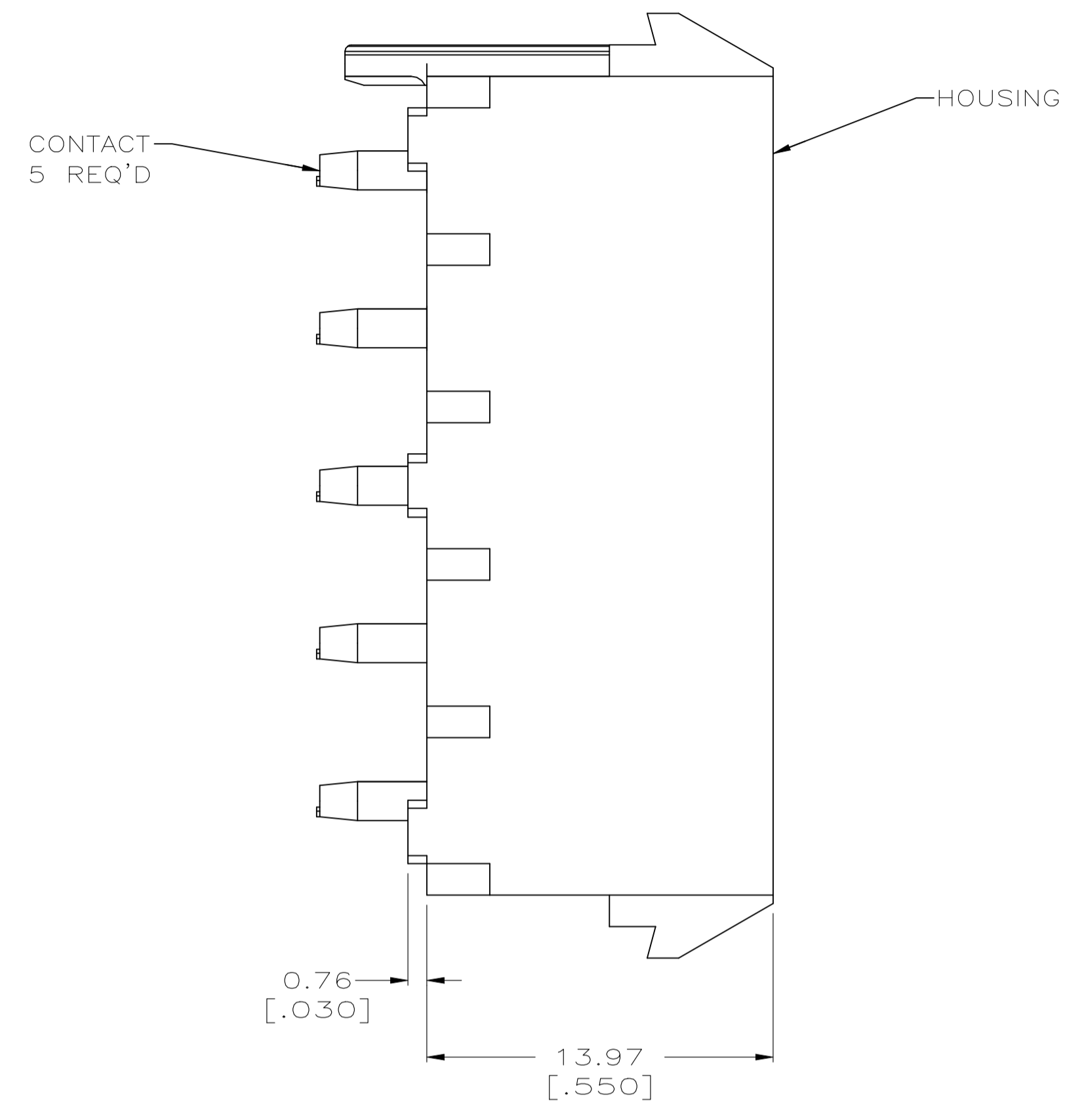
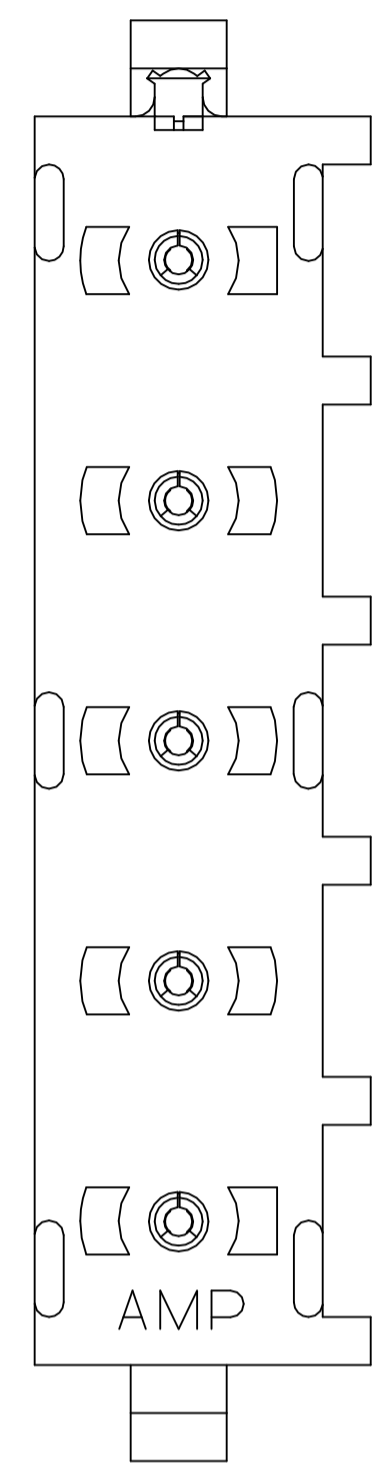
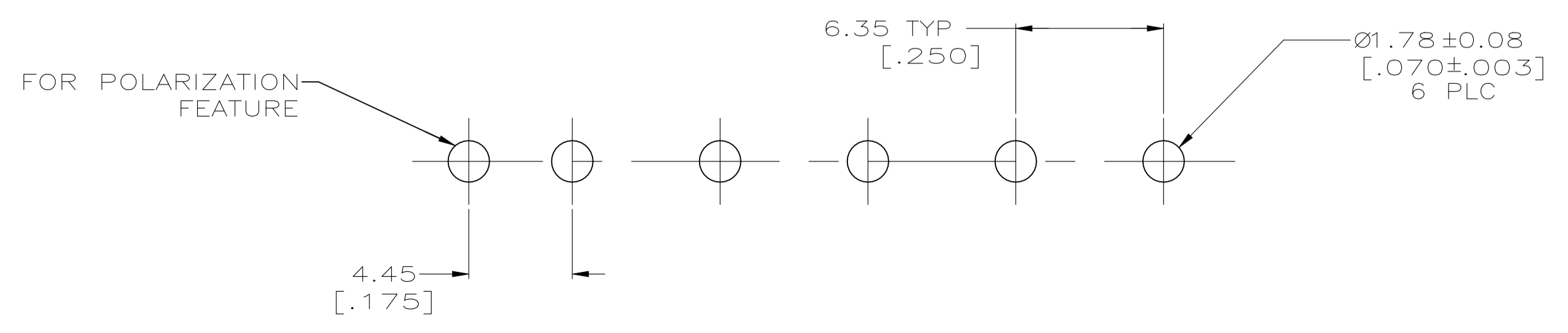
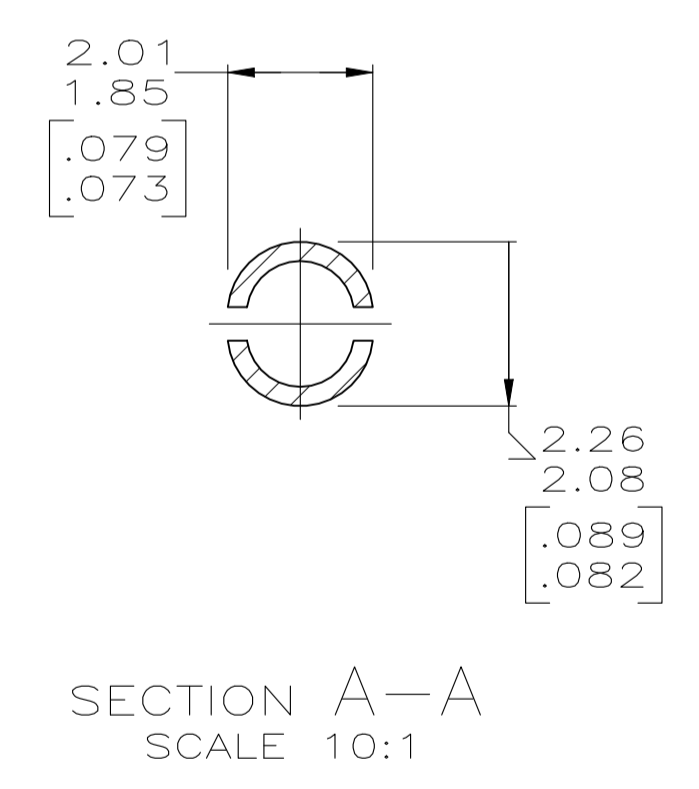
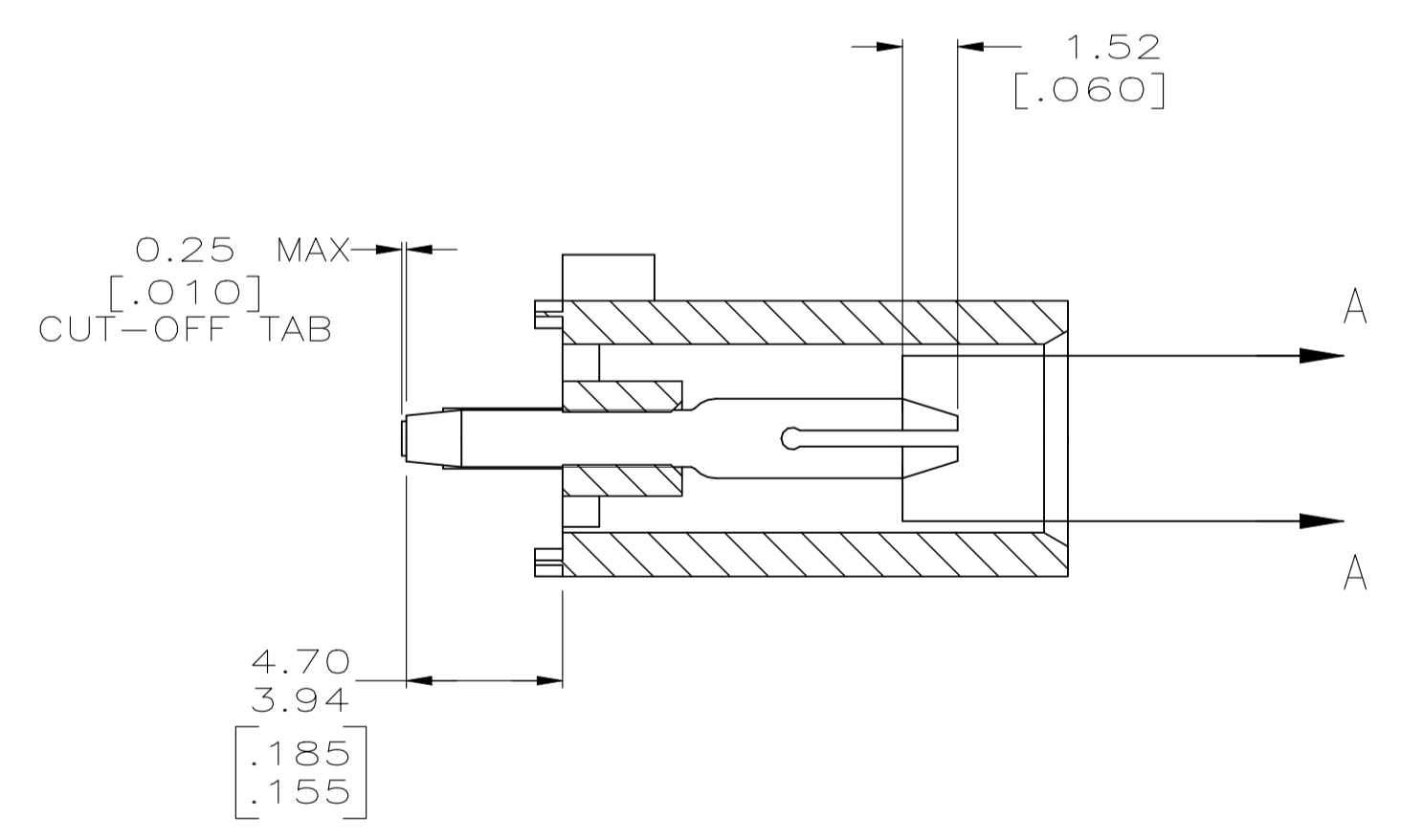


REVISIONS					
REV	DATE	DESCRIPTION	BY	CHK	APP'D
J1	01AUG2022	REVISED PER ECR-21-117154	SM	VS	

- PARTS COMPLY TO AMP SOLDERABILITY SPECIFICATION 109-11-3.
- CIRCUIT IDENTIFICATION CHARACTERS ARE ADJACENT TO THE INDICATED CAVITIES, BUT LOCATION AND ORIENTATION MAY DIFFER FROM PRINT.
- DIMENSIONS IN BRACKETS ARE IN INCHES.
- DIMENSIONS SHOWN REPRESENT PRODUCT IN DRY CONDITION. ADDITIONAL 2% GROWTH DUE TO END USE LOCATION MOISTURE ABSORPTION MAY OCCUR AND SHOULD BE ACCOUNTED FOR.



3-DIMENSIONAL MODEL
NTS



RECOMMENDED MOUNTING HOLE PATTERN
FOR 1.57 [.062] THICK P.C. BOARD

PHOSPHOR BRONZE, PRE-TIN PIN CONTACT MATERIAL AND FINISH	NYLON, UL94V-2,NATURAL HOUSING MATERIAL	643405-1 PART NO
THIS DRAWING IS A CONTROLLED DOCUMENT.		
DIMENSIONS: mm [INCHES]	TOLERANCES UNLESS OTHERWISE SPECIFIED:	DIN L McEACHIN 07-JAN-2000 CHK K COBLE 07-JUN-2000 APP'D K COBLE 07-JUN-2000 NAME PRODUCT SPEC APPLICATION SPEC ANGLES ± 90° 30'
MATERIAL SEE TABLE	FINISH SEE TABLE	SIZE CAGE CODE DRAWING NO A1 00779 C=643405 RESTRICTED TO WEIGHT CUSTOMER DRAWING
SCALE 5:1		SHEET 1 OF 1 REV J1

