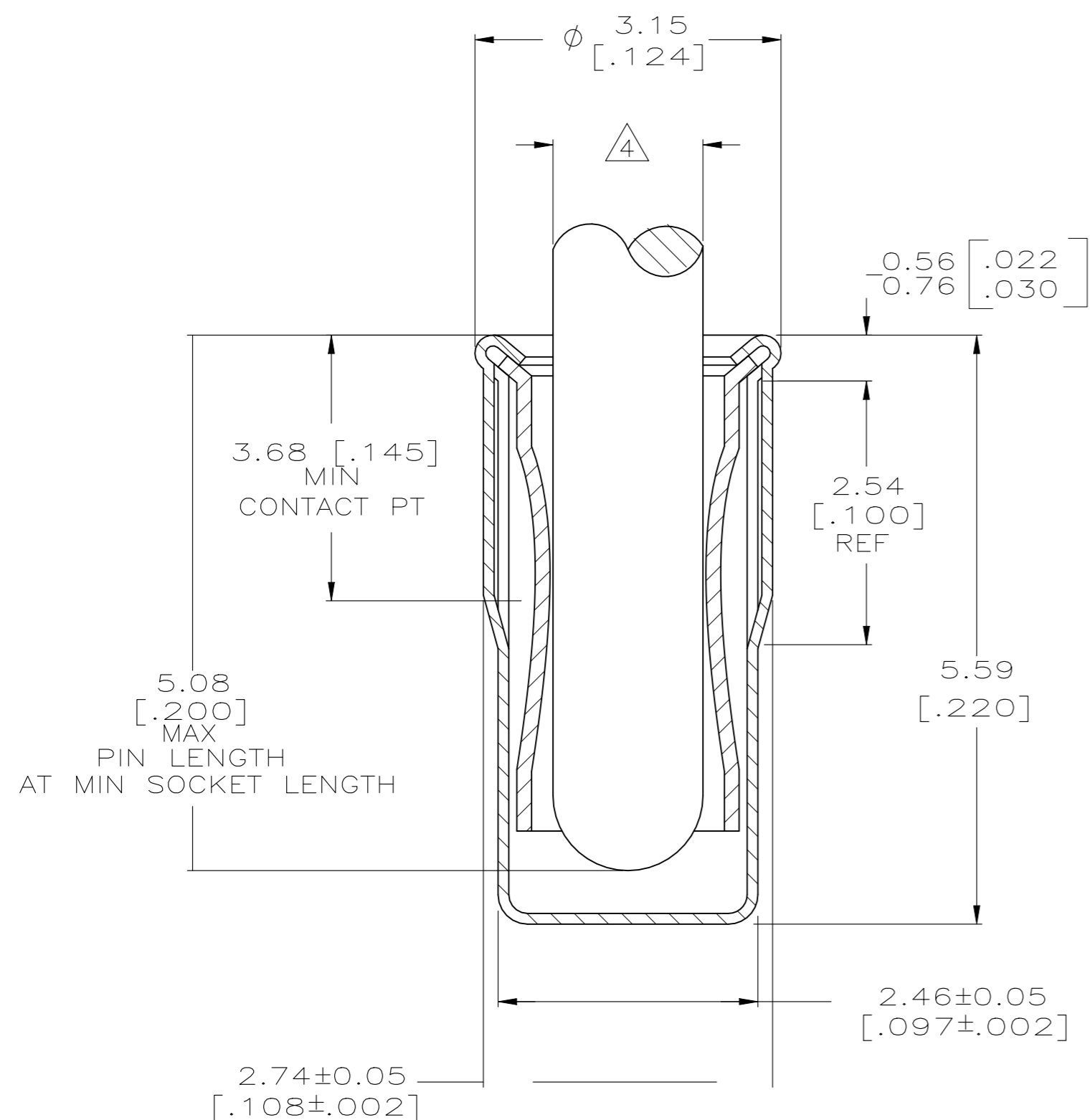
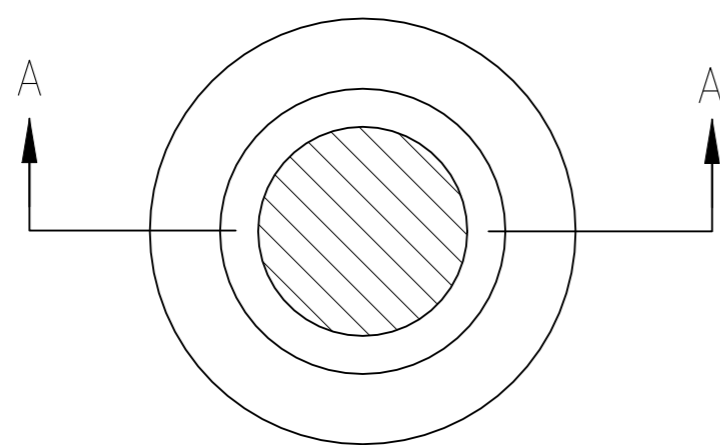


LOC	DIST	P	F	ZONE	LTR	REVISIONS	DATE	APPD
AG	53							
						DESCRIPTION		
						C REVISED PER 0030-0159-96	5-17-95	RT



SECTION A-A

1. PLATING: SPRING; GOLD, 0.00076 [0.00030] THK MIN PER MIL-G-45204, TYPE II. EYELET; TIN 0.00254 [0.00100] THK MIN PER MIL-T-10727.
2. RECOMMENDED HOLE SIZES PLATED OR UNPLATED: MACHINE INSERTION; 2.62±0.08 [0.103±0.003].
3. TO INSURE PROPER SPRING TENSION DO NOT EXCEED A 0.05 [0.002] DIFFERENCE IN PIN DIA WHEN CHANGING TO A SMALLER PIN.
4. RECOMMENDED PIN DIA 1.47-1.57 [0.058-0.062].

645512-1 AS SHOWN

DO NOT SCALE PRINT. UNLESS SPECIFIED		DR K.SALMON 4-18-90		PART NO	
DIMENSIONS IN mm [INCHES]		CHK - 4-18-90		AMP Incorporated Harrisburg, PA 17105-3608	
TOLERANCES ON :		R.MIELER			
2 PLC DEC ± -		APPD - 4-18-90		NAME ASSEMBLY, SOCKET, SPRING, MINIATURE SERIES 5	
3 PLC DEC ± 0.20 [0.008]		F.BOYD			
ANGLES ± -		APPD -			
MATERIAL		APPD -		PRODUCT SPEC -	
SPRING; BERYLLIUM COPPER		-			
QQ-C-533		-		APPLICATION SPEC -	
EYELET; COPPER		-			
QQ-C-576		-		SIZE CAGE CODE DRAWING NO C 00779 645512	
FINISH		-		SCALE 20:1 SHEET 10F 1	
1		WEIGHT -			