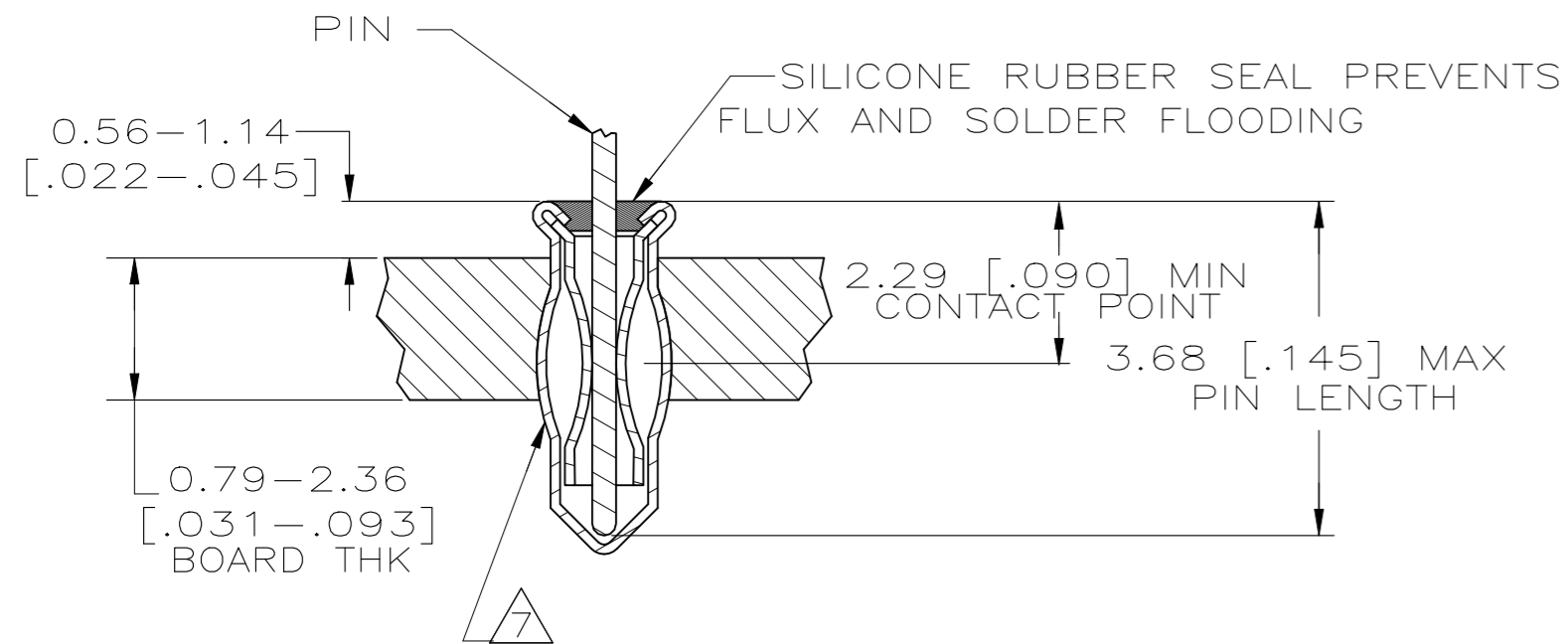
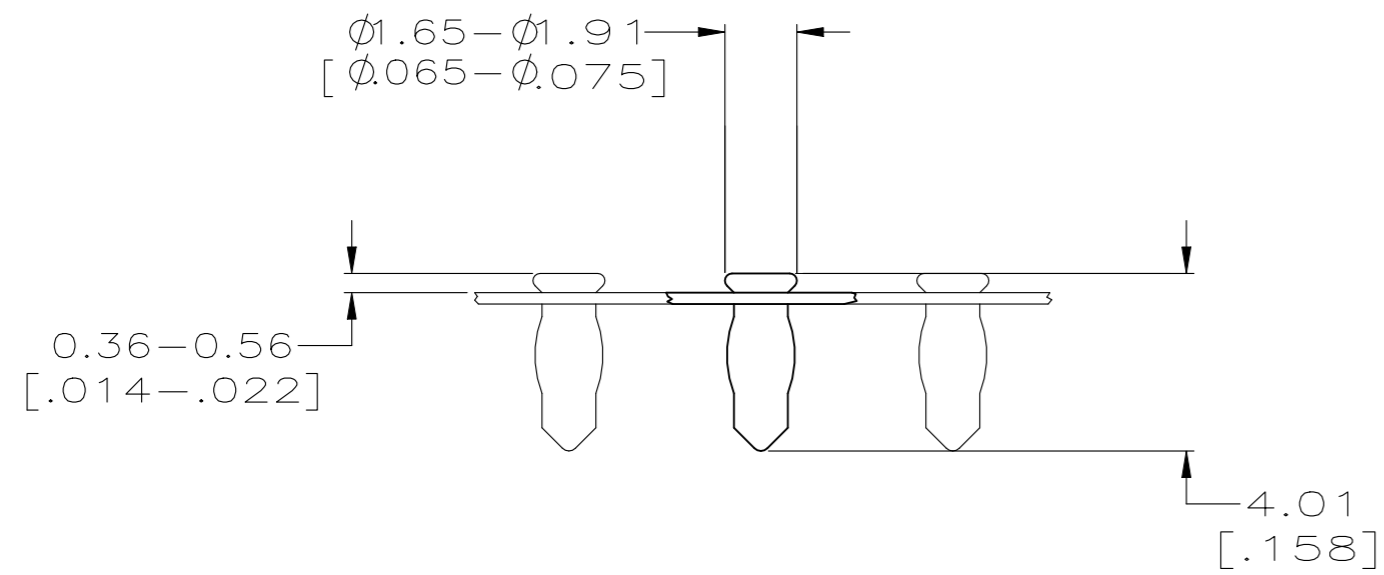
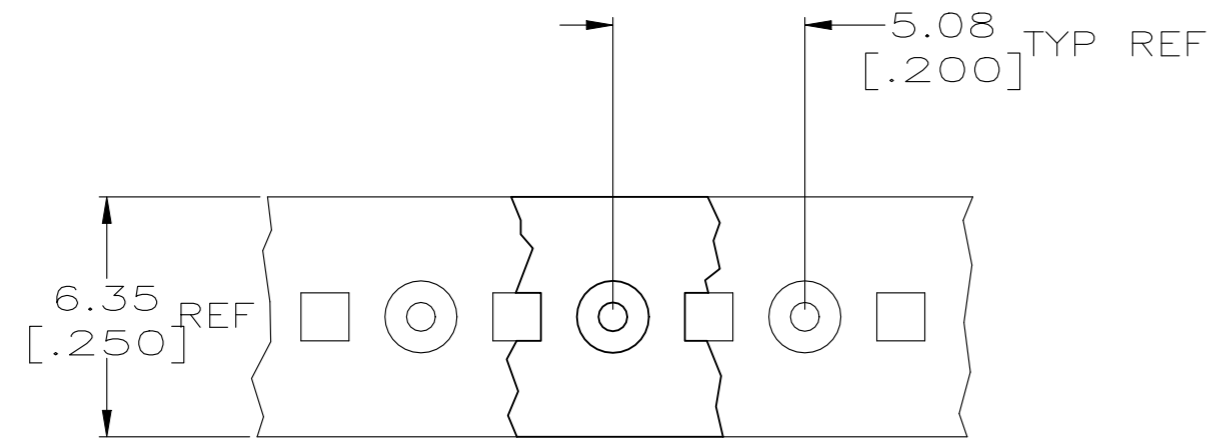


REVISIONS				
P	LTR	DESCRIPTION	DATE	APVD
F3		REVISED AS PER ECR-24-199424	08FEB2024	NR JK



- 1 MATERIAL:
EYELET - COPPER (QQ-C-576)
SPRING - BERYLLIUM COPPER (QQ-C-533)
SEALANT - SILICONE RUBBER
- 2 TIN PLATE (MIL-T-10727)0.00381 [.000150] MIN THK.
- 3 TIN PLATE(MIL-T-10727)0.00254 [.000100] MIN THK.
- 4 GOLD PL(MIL-G-45204)0.00076 [.000030] MIN THK ON CONTACT AREA.
- 5 PACKAGED 50,000 PER REEL
- 6 TO INSURE 1/2 OZ MIN RETENTION DO NOT EXCEED 0.10 [.004] DIFFERENCE IN PIN DIA WHEN CHANGING TO A SMALLER DIA PIN
- 7 PRODUCT IS OVALIZED FOR RETENTION IN THE P.C. BOARD. THE RECOMMENDED HOLE DIAMETER IS Ø1.32 [Ø.052] MINIMUM, +0.08 [.003] MAX. PRIOR TO SOLDERING.
- 8 PACKAGED 10,000 PER REEL

OBSOLETE	2.29-3.68 [.090-.145]	Ø0.36-Ø0.56 [Ø.014-Ø.022]	GOLD 4	TIN 2	8	1-645953-5
OBSOLETE	2.29-3.68 [.090-.145]	Ø0.51-Ø0.66 [Ø.020-Ø.026]	GOLD 4	TIN 2	8	1-645953-2
OBSOLETE	2.29-3.68 [.090-.145]	Ø0.51-Ø0.66 [Ø.020-Ø.026]	TIN 3	TIN 2	8	1-645953-1
OBSOLETE	2.29-3.68 [.090-.145]	Ø0.36-Ø0.56 [Ø.014-Ø.022]	GOLD 4	TIN 2	5	645953-5
OBSOLETE	2.29-3.68 [.090-.145]	Ø0.51-Ø0.66 [Ø.020-Ø.026]	GOLD 4	TIN 2	5	645953-2
OBSOLETE	2.29-3.68 [.090-.145]	Ø0.51-Ø0.66 [Ø.020-Ø.026]	TIN 3	TIN 2	5	645953-1
	LENGTH	DIA	FINISH			PART NO

THIS DRAWING IS A CONTROLLED DOCUMENT.

DWN M.BOWERS 12-20-82	TE Connectivity
CHK P.MUTZABAUGH 6-10-85	
APVD -	NAME
PRODUCT SPEC -	MINIATURE SPRING SOCKET ASSY SERIES 2 SHORT WITH SEALANT
APPLICATION SPEC 114-26004	SIZE A2
WEIGHT 0.000000	CAGE CODE 00779
CUSTOMER DRAWING	SCALE NTS
	SHEET 1 OF 1
	REV F3