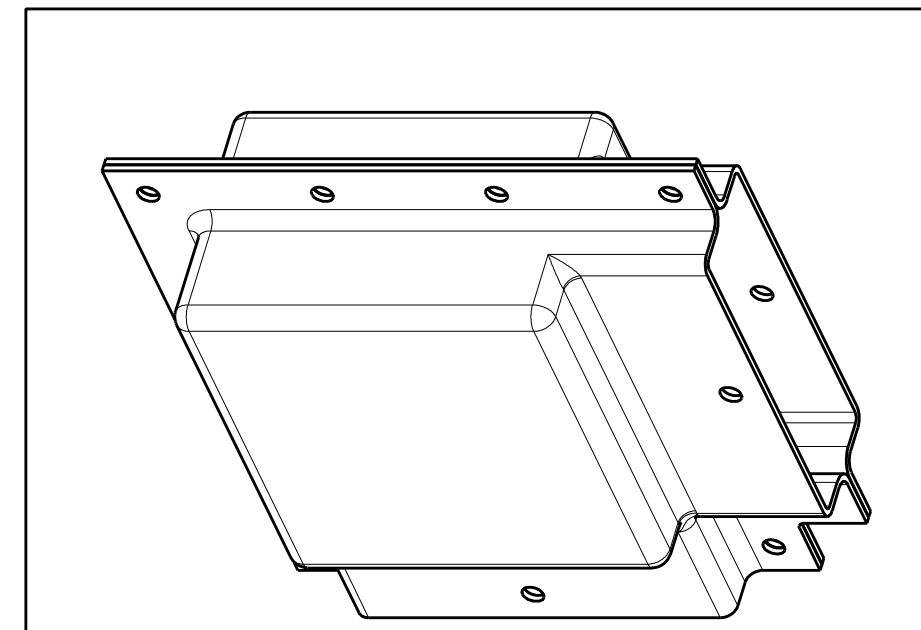
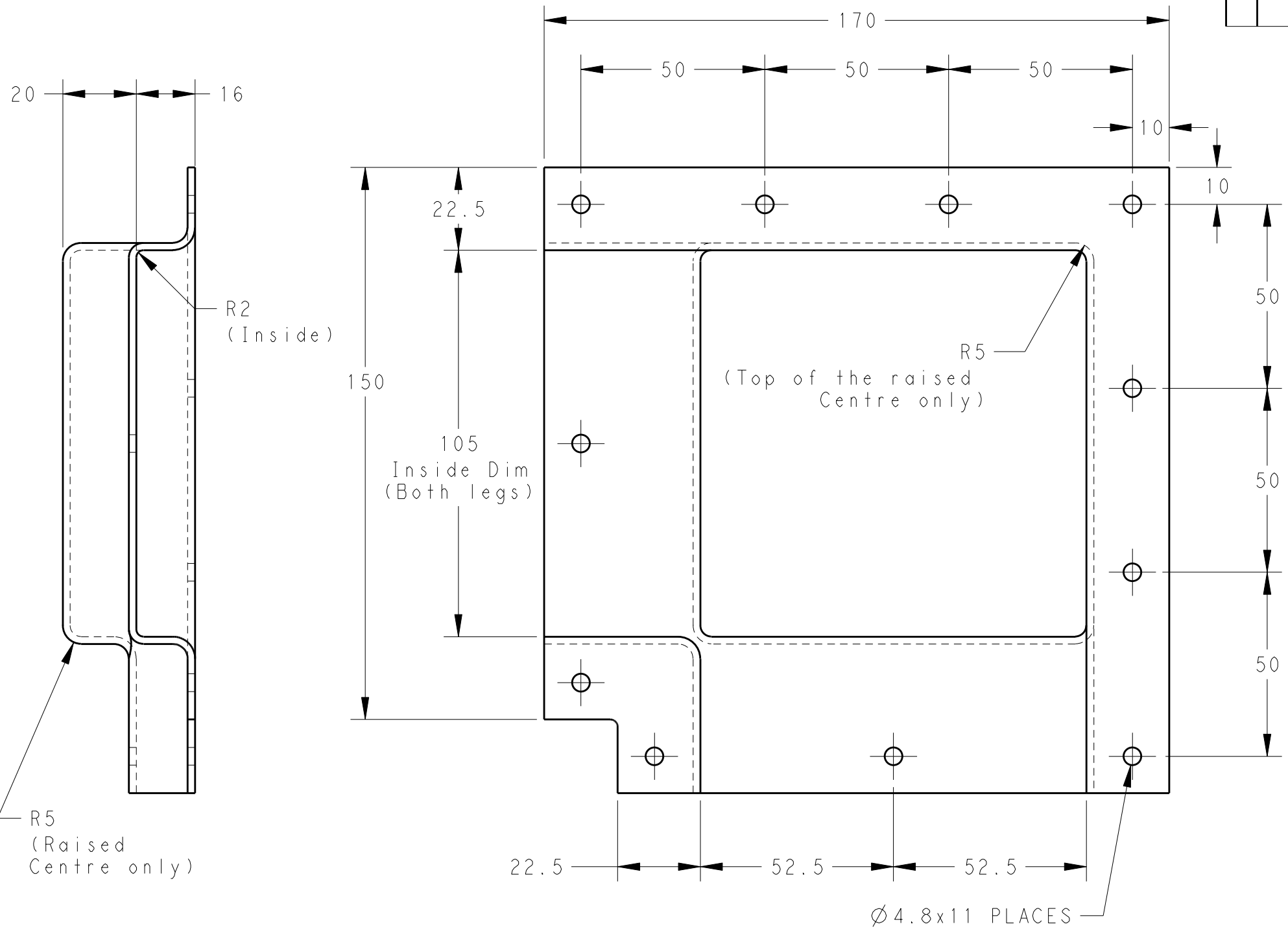



THIS DRAWING IS UNPUBLISHED. RELEASED FOR PUBLICATION 20
 © COPYRIGHT 20 BY TYCO ELECTRONICS CORPORATION ALL RIGHTS RESERVED.

LOC	DIST	REVISIONS				
P	LTR	DESCRIPTION	DATE	DWN	APVD	
-	-	A	Hole Size Changes from 6mm to 4.8mm and Note No.3 Changes.	04SEP2012	V.P	I.B



SCALE 1:2
 (Assy. view for external reference only)

THIS DRAWING IS A CONTROLLED DOCUMENT.		DWN Vishnu 27JUN2012	 TE Connectivity	
DIMENSIONS: mm		CHK I.Bond 27JUN2012		
TOLERANCES UNLESS OTHERWISE SPECIFIED:		APVD I.Bond 27JUN2012	NAME BMOD-HV-100-L11-01(B12)	
0 PLC ± 1 PLC ±0.5 2 PLC ±0.13 3 PLC ±0.013 4 PLC ±0.0001 ANGLES ±		PRODUCT SPEC -	SIZE A3 CAGE CODE 00779 DRAWING NO C-7-1899738-5 RESTRICTED TO -	
MATERIAL -		APPLICATION SPEC -	SCALE 1:1 SHEET 1 OF 2 REV A	
FINISH -		WEIGHT -	CUSTOMER DRAWING	

4

3

2

1

THIS DRAWING IS UNPUBLISHED.

RELEASED FOR PUBLICATION

20

© COPYRIGHT 20

BY TYCO ELECTRONICS CORPORATION

ALL RIGHTS RESERVED.

LOC

DIST

REVISIONS

P	LTR	DESCRIPTION	DATE	DWN	APVD
-	-	SEE SHEET 1	-	-	-

PLUG PIECE:

5° Taper

10

1x∅4.8 Hole

25

106±1

R3 Typ

20±1

SCALE 1:2

(Isometric view for external referenc only)

NOTES:

1. Parts shall be kitted 24pcs per box, 12 pairs of covers
2. Parts shall be supplied in the open position
3. Parts shall be kitted with 11 x LVIC-RIV-TS555 PCN: 319851-000, or with Raysulate equivalent part, per pair of covers.
4. 2 x Plugs to be kitted per pair of covers
5. Parts shall be kitted with Installation Instruction: ESD-6065-6/12 per box.

THIS DRAWING IS A CONTROLLED DOCUMENT.

DWN Vishnu 27JUN2012

CHK I. Bond 27JUN2012

APVD I. Bond 27JUN2012

PRODUCT SPEC

APPLICATION SPEC

WEIGHT

CUSTOMER DRAWING

STE

TE Connectivity

NAME BMOD-HV-100-L11-01(B12)

SIZE CAGE CODE DRAWING NO

A300779 C-7-1899738-5

RESTRICTED TO

-

SCALE 1:1

SHEET 2 OF 2

REV A

1470-19 (3/11)